



Superior Clamping and Gripping



Product Information

Fastening elements Centering element

Centering element

Fastening elements

Precise. Compact. Easy assembly.

centering elements ZHU/ZH/RMZ/LMZL

Centering sleeves are used for centering between two elements. With SCHUNK grippers, this frequently occurs between the mounting plate and gripper and between the gripper and gripper fingers.

Field of application

Variable centering tasks for gripping and rotary modules, as well as linear modules.

Advantages – Your benefits

Space-saving for small, compact grippers

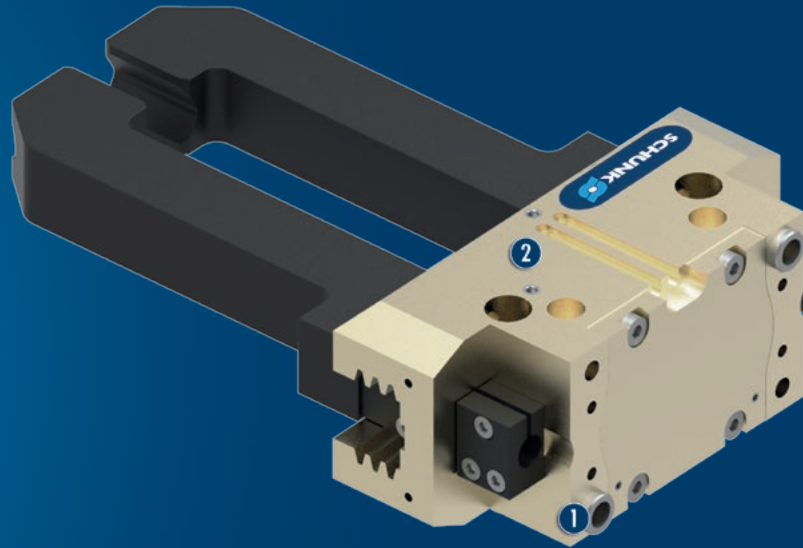
Precise for high repeat accuracies

cost-efficient for low costs

Easy to install for fast assembly



Applications



① ZHU centering sleeves

② 2-finger parallel gripper PGN-plus

SCHUNK offers more ...

The following components make the product even more productive – the suitable addition for the highest functionality, flexibility, reliability, and controlled production.



2-finger parallel gripper PGN-plus



Flat swivel unit SRU-plus

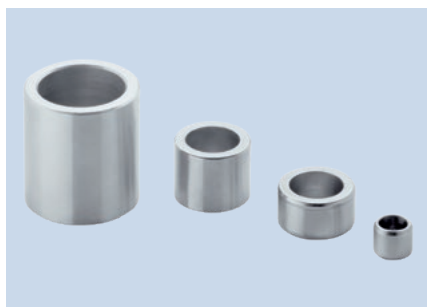


Adapter plate

① For more information on these products can be found on the following product pages or at schunk.com.

Centering element ZHU

Fastening elements



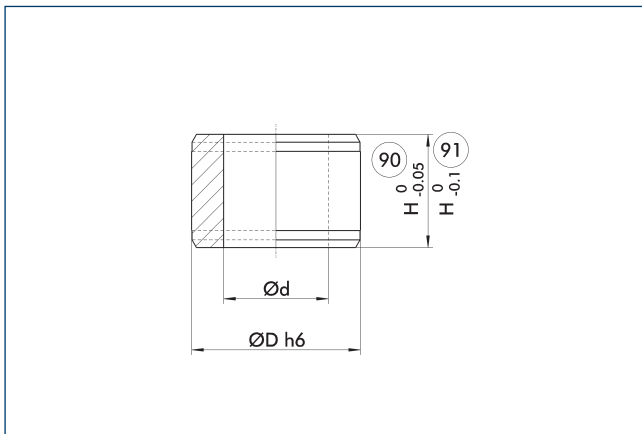
Technical data

Description		ZH 500	ZH 600	ZH 700	ZHU 2	ZHU 2,5	ZHU 3
ID		0313399	0313367	0313368	9941547	9941628	9941629
∅ D	[mm]	5	6	7	2	2.5	3
∅ d	[mm]	3.2	4.4	5.4	1.3	1.7	2.1
H	[mm]	2.5	2.5	2.5	1.95	1.95	1.95

Description		ZHU 3,5	ZHU 4	ZHU 5	ZHU 6	ZHU 8	ZHU 10
ID		9939947	9939376	9939377	9939384	9939378	9939379
∅ D	[mm]	3.5	4	5	6	8	10
∅ d	[mm]	2.1	2.6	3.1	4.1	5.1	6.2
H	[mm]	2.95	3.95	4.35	5.35	5.35	6.65

Description		ZHU 12	ZHU 14	ZHU 16	ZHU 22	ZHU 28
ID		9939380	9939381	9939382	9939383	9941220
∅ D	[mm]	12	14	16	22	28
∅ d	[mm]	8.2	10.2	12.2	16.2	21
H	[mm]	6.65	8.6	8.6	13.6	17.6

ZHU main view



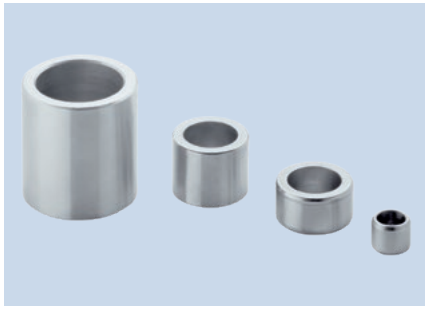
90 Ø 1,3 – Ø 8,2

91 Ø 10,2 – Ø 21

You will find the variable dimensions in the technical data table.

Centering element RMZ

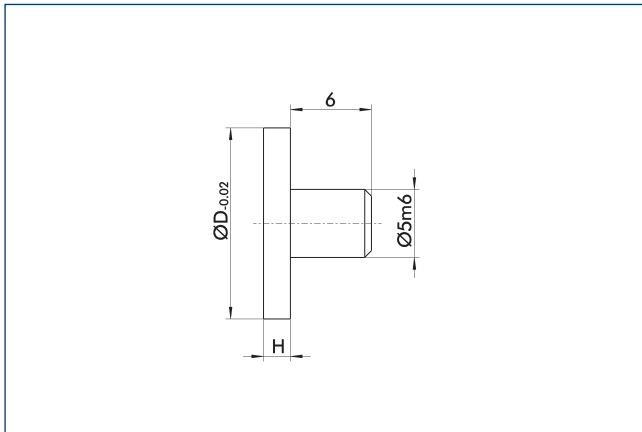
Fastening elements



Technical data

Description		RMZ 12	RMZ 50	RMZ 110	RMZ 200
ID		0313360	0313361	0313362	0313363
Ø D	[mm]	20.03	14.03	16.03	20.03
H	[mm]	0.7	2	2	2

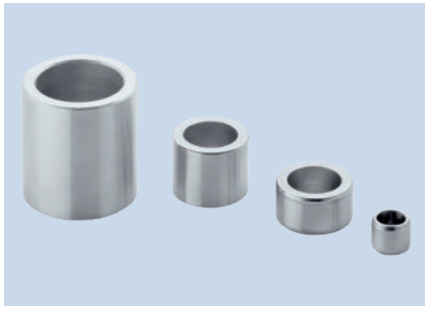
RMZ main view



You will find the variable dimensions in the technical data table.

Centering element LMZL

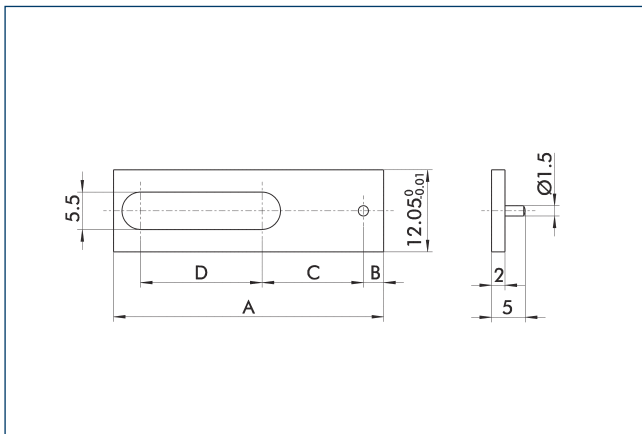
Fastening elements



Technical data

Description		LMZL 50	LMZL 100
ID		0314211	0314212
A	[mm]	40	55
B	[mm]	3	5
C	[mm]	15	18
D	[mm]	18	26

LMZL main view



You will find the variable dimensions in the technical data table.



SCHUNK GmbH & Co. KG
Spann- und Greiftechnik

Bahnhofstr. 106 - 134
D-74348 Lauffen/Neckar
Tel. +49-7133-103-0
Fax +49-7133-103-2399
info@de.schunk.com
schunk.com

Folgen Sie uns | *Follow us*

