



Superior Clamping and Gripping



Product data sheet

Universal gripper PZN-plus

PZN-plus

Universal gripper

Reliable. Robust. Flexible. Universal gripper PZN-plus

Universal 3-finger centric gripper with high gripping force and maximum moments due to multi-tooth guidance

Field of application

multi- purpose thanks to a diverse range of accessories. Can also be used in fields of application with special requirements to the gripper (temperature, chemical resistance, dirt, and many more).

Advantages – Your benefits

Robust multi-tooth guidance for precise handling

High maximum moments possible suitable for using long gripper fingers

Wedge-hook design for high power transmission and synchronized gripping

Air supply via hose-free direct connection or screw connections for flexible pressure supply in all automated systems

Comprehensive sensor accessory program for versatile querying possibilities and stroke position monitoring

Manifold options for special optimization for your specific case of application (dustproof, high-temperature, corrosion-protected, etc.)

Fastening at one gripper side in two screw directions for universal and flexible gripper assembly



Sizes
Quantity: 11

m

Weight
0.13 .. 80 kg



Gripping force
255 .. 57300 N



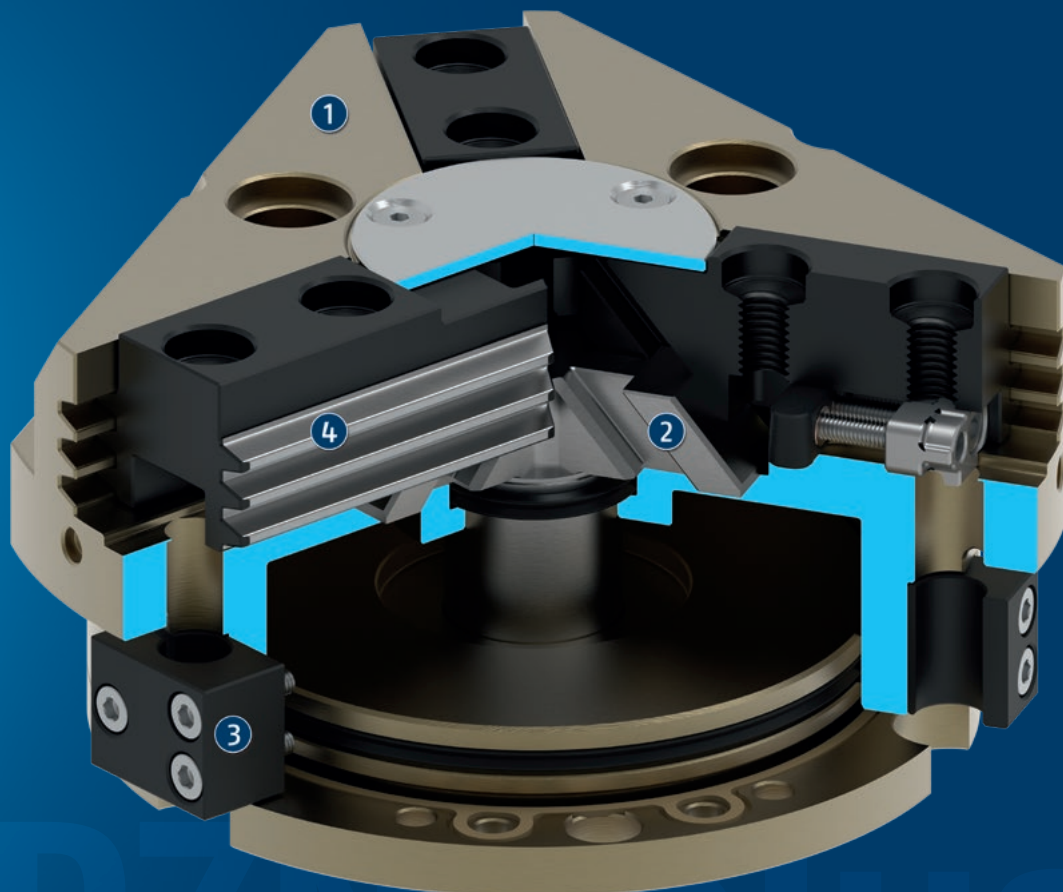
Stroke per jaw
2 .. 45 mm



Workpiece weight
1.3 .. 227 kg

Functional description

The piston is moved up and down by compressed air.
The angled active surfaces of the wedge-hook produce a synchronized, centric jaw movement.



① **Housing**
is weight-optimized due to the use of high-strength aluminum alloy

② **Wedge-hook design**
for high force transmission and centric gripping

③ **Sensor system**
Brackets for proximity switches and adjustable control cams in the housing

④ **Multi-tooth guidance**
precise gripping through base jaw guidance with a high load capacity and a minimum Play

General notes about the series

Operating principle: Wedge-hook kinematics

Housing material: Aluminum alloy, anodized

Base jaw material: Steel

Actuation: pneumatic, with filtered compressed air as per ISO 8573-1:2010 [7:4:4].

Warranty: 36 months

Service life characteristics: on request

Scope of delivery: Gripper in the ordered variant, accessory kit (centering sleeves, O-rings for direct connection/detailed contents see operating manual) and safety information. Product-specific instructions can be downloaded at schunk.com/downloads-manuals.

Gripping force maintenance: possible by using the version with mechanical gripping force maintenance or pressure maintenance valve SDV-P

Gripping force: is the arithmetic sum of the individual force applied to each jaw at distance P (see illustration).

Finger length: is measured from the reference surface as the distance P in direction to the main axis.

The maximum permissible finger length applies until the nominal operating pressure is achieved. With higher pressures, the finger length must be reduced proportionally to the nominal operating pressure.

Repeat accuracy: is defined as a distribution of the end position for 100 consecutive strokes.

Workpiece weight: is calculated for force-fit gripping with a coefficient of static friction of 0.1 and a safety factor of 2 against workpiece slippage at acceleration due to gravity g. For form-fit or capture gripping, there are significantly higher permissible workpiece weights.

Closing and opening times: are movement times of the base jaws only, without application-specific gripper fingers. Valve switching times, hose fill times, or PLC reaction times are not included, and are to be considered when cycle times are calculated.

Cleanroom class ISO 14644-1:1999: 5

Application example

Insertion tool for assembly of small to medium-sized axes. Due to the rotary feed-through, the axes can be rotated several times infinitely ($> 360^\circ$) during the assembly process. Slip ring contacts integrated in the rotary feed-through reliably supply the gripper with power.

- 1 Rotary feed-through DDF 2
- 2 Quick-change system SWS
- 3 3-finger centric gripper PZN-plus



SCHUNK offers more ...

The following components make the product even more productive – the suitable addition for the highest functionality, flexibility, reliability, and controlled production.



Compensation unit



Universal intermediate jaw



Jaw quick-change system



Pressure maintenance valve



Inductive proximity switch



Magnetic switches



Finger blank

① For more information on these products can be found on the following product pages or at schunk.com.

Options and special information

Gripping force maintenance version AS/IS: The mechanical gripping force maintenance version ensures minimum gripping force even in the event of a pressure drop. In the AS/IS version this acts as a closing force, in the IS version as an opening force.

Anti-corrosion version K: for use in corrosion-inducing atmospheres

High-temperature version V/HT: for use in hot environments

Power booster version KVZ: if higher gripping forces are required

Dustproof version SD: absolutely dustproof, increased degree of protection against ingress of materials.

Precision version P: for the highest accuracy

ATEX version EX: for explosive environments

H1G compliant grease: for use in the food and pharmaceutical industries

Food-grade lubrication: The product contains food-compliant lubricants as standard. The requirements of EN 1672-2:2020 are not fully met. The relevant NSF certificates are available at <https://info.nsf.org/USDA/Listings.asp> using the lubricant information in the operating manual.

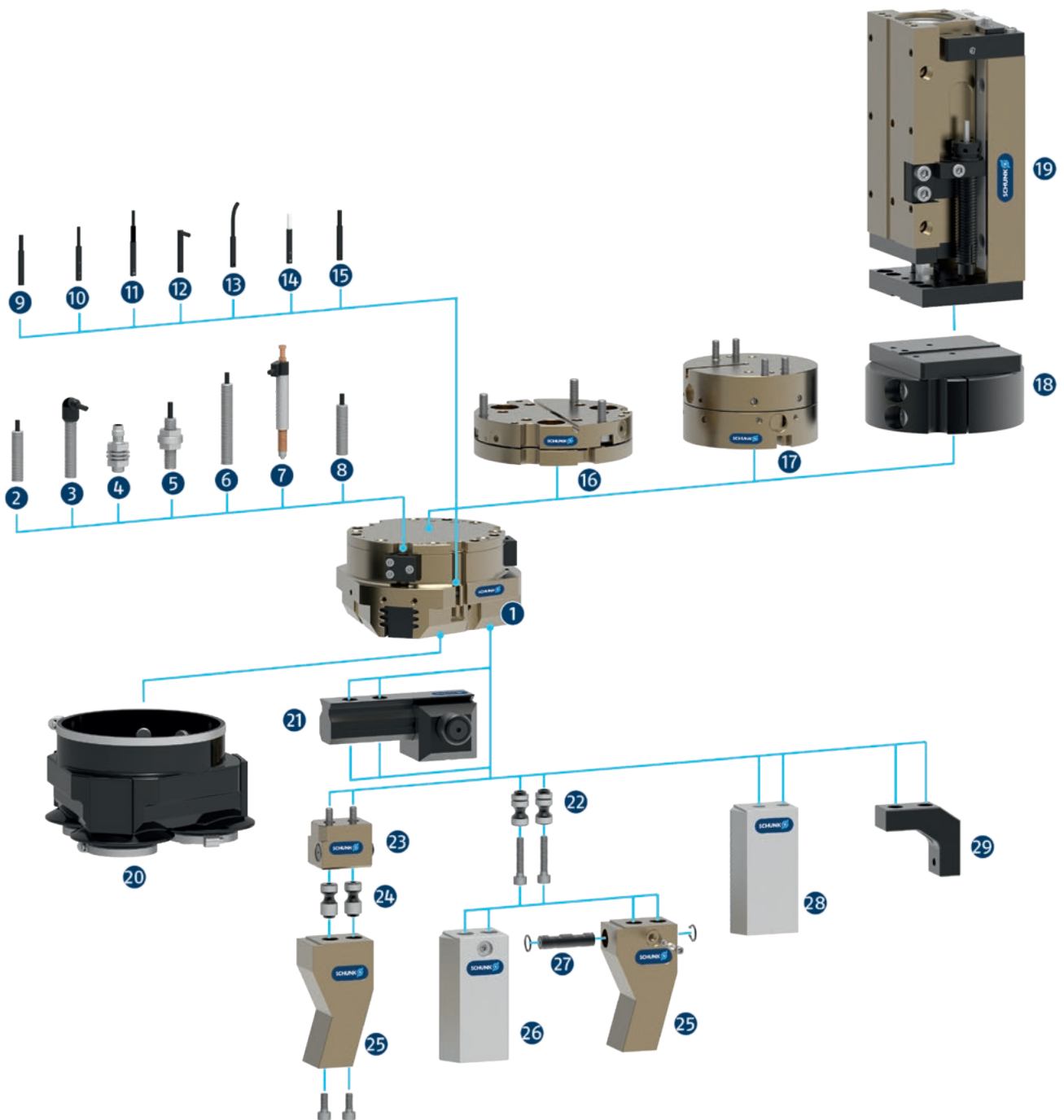
Additional versions: Various options can be combined with each other.

PZN-plus

Universal gripper

SCHUNK gripper PZN-plus

Overview Accessories



- 1 **PZN-plus**
Universal 3-finger centric gripper with high gripping force and maximum moments due to multi-tooth guidance

Sensor system

- 2 **IN ...**
Inductive proximity switch with molded cable and straight cable outlet
- 3 **IN ...-SA**
Inductive proximity switch with molded cable and lateral cable outlet
- 4 **IN-C 80**
Inductive proximity switch, directly pluggable
- 5 **FPS**
Flexible position sensor for monitoring up to five different, freely selectable positions
- 6 **APS-Z80**
Inductive position sensor for precise position detection of the gripper jaws with analog output
- 7 **APS-M1S**
Mechanical measuring system for precise position detection of the gripper jaw with analog output
- 8 **RMS**
Reed switch in round version
- 9 **MMS 22**
Magnetic switch with straight cable outlet for monitoring a position

MMS 22-PI1
Magnetic switch with straight cable outlet for monitoring a freely programmable position
- 10 **MMS 22-PI2**
Magnetic switch with straight cable outlet for monitoring two freely programmable positions
- 11 **MMS 22-PI1-HD**
MMS 22-PI1 in robust design

MMS 22-PI2-HD
MMS 22-PI2 in robust design
- 12 **MMS 22-SA**
Magnetic switch with lateral cable outlet for monitoring a position

MMS 22-PI1-SA
Magnetic switch with side cable outlet for monitoring a freely programmable position
- 13 **MMS-P**
Magnetic switch with straight cable outlet for monitoring two freely programmable positions
- 14 **MMS 22-A**
Analog magnetic switch with straight cable outlet for measuring the gripper jaw position with analog output and teach function

- 15 **RMS 22**
Reed switch for direct assembly in the C-slot

Complementary products

- 16 **TCU**
Tolerance compensation unit for compensating small tolerances in the plane
- 17 **AGE**
Compensation unit for compensation of large tolerances along the X and Y axes
- 18 **ASG**
Adapter plate for combining various automation components in the modular system
- 19 **CLM**
Linear module with pneumatic drive and scope-free pre-loaded junction rollers
- 20 **HUE**
Sleeve for protection against dirt

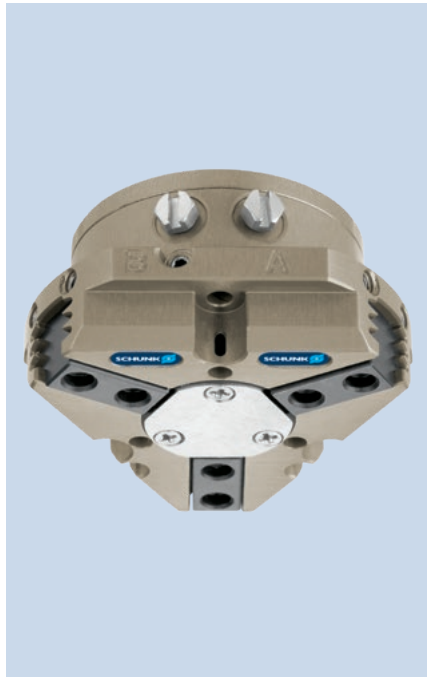
Finger Accessories

- 21 **UZB**
The universal intermediate jaw allows fast tool-free and reliable plugging and shifting of top jaws at the gripper.
- 22 **BSWS-AR**
Adapter pin of the jaw quick-change system for fast, manual change of top jaws
- 23 **BSWS-B**
Locking mechanism of the jaw quick-change system for fast, manual exchange of top jaws
- 24 **BSWS-A**
Adapter pin of the jaw quick-change system for adaptation to the customized finger
- 25 **Customized fingers**
- 26 **BSWS-ABR**
Finger blank made of aluminum with interface to the jaw quick-change system

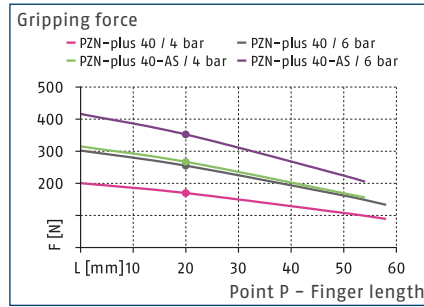
BSWS-SBR
Finger blank made of steel with interface to the jaw quick-change system
- 27 **BSWS-UR**
Locking mechanism for the integration of the jaw quick-change system into customized fingers
- 28 **ABR/SBR**
Finger blanks made of steel or aluminum with standardized screw connection diagram
- 29 **ZBA**
Intermediate jaws for reorientation of the mounting surface

PZN-plus 40

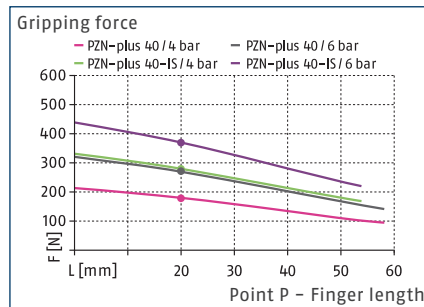
Universal gripper



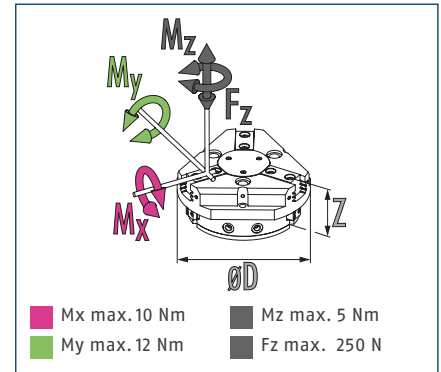
Gripping force O.D. gripping



Gripping force I.D. gripping



Dimensions and maximum loads



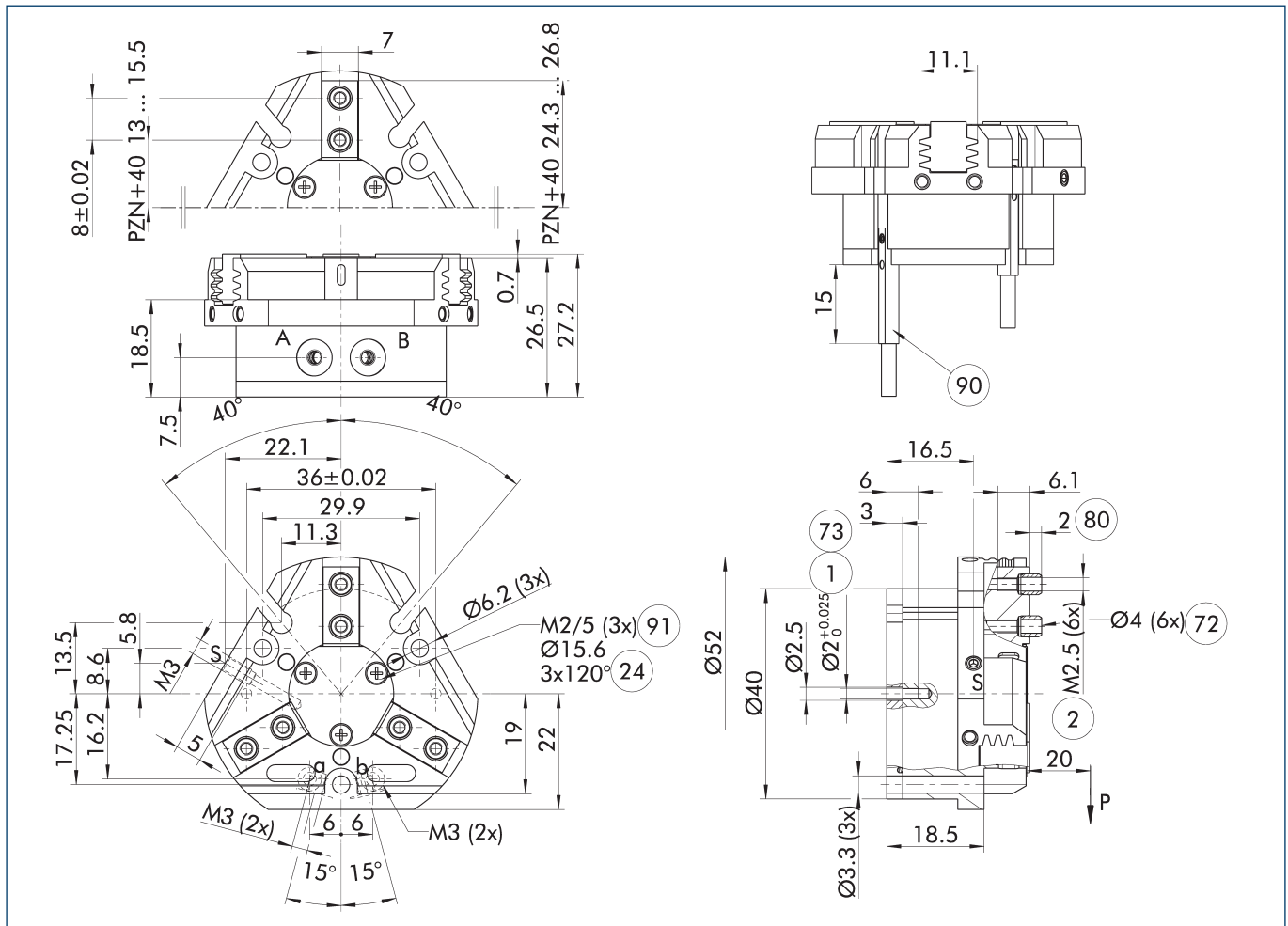
① The indicated moments and forces are static values, apply for each base jaw and may appear simultaneously. Loads may additionally occur to the moment produced by the gripping force itself.

Technical data

Description		PZN-plus 40	PZN-plus 40-AS	PZN-plus 40-IS
ID		0303308	0303508	0303538
Stroke per jaw	[mm]	2.5	2.5	2.5
Closing/opening force	[N]	255/270	355/-	-/370
Min. spring force	[N]		100	100
Weight	[kg]	0.13	0.15	0.15
Recommended workpiece weight	[kg]	1.3	1.3	1.3
Cylinder volume per double stroke	[cm ³]	5	9	9
Min./nom./max. operating pressure	[bar]	2/6/8	4/6/6.5	4/6/6.5
Min./max. air purge pressure	[bar]	0.5/1	0.5/1	0.5/1
Closing/opening time	[s]	0.03/0.03	0.02/0.04	0.04/0.02
Closing/opening time with spring	[s]		0.08	0.08
Max. permissible finger length	[mm]	58	54	54
Max. permissible weight per finger	[kg]	0.1	0.1	0.1
IP protection class		40	40	40
Min./max. ambient temperature	[°C]	5/90	5/90	5/90
Repeat accuracy	[mm]	0.01	0.01	0.01
Dimensions Ø D x Z	[mm]	52 x 27.2	52 x 35.2	52 x 35.2
Options and their characteristics				
Dustproof version		37303308	37303508	37303538
IP protection class		64	64	64
Weight	[kg]	0.16	0.18	0.18
Corrosion-protected version		38303308	38303508	38303538
High-temperature version		39303308	39303508	39303538
Min./max. ambient temperature	[°C]	5/130	5/130	5/130
Power booster version		0372199	0372219	0372239
Closing/opening force	[N]	363/381	446/-	-/463
Weight	[kg]	0.19	0.21	0.21
Maximum pressure	[bar]	6	6	6
Max. permissible finger length	[mm]	50	40	40
Precision version		0303338	0303488	

① It may take a few 100 gripping cycles until the full gripping force (as indicated in the data table) will be available.

Main view

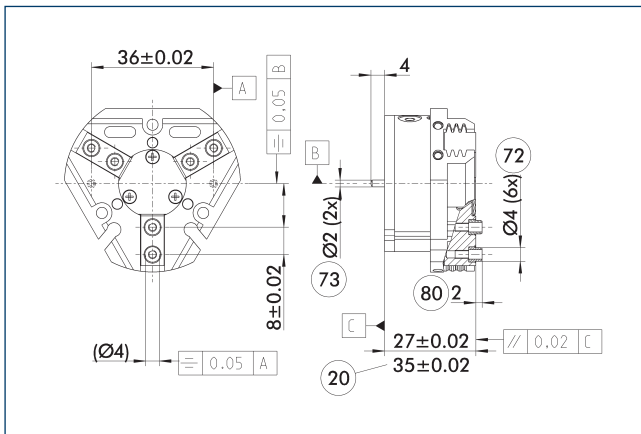


The drawing shows the gripper in the basic version with closed jaws, without dimensional consideration of the options described below.

① As an alternative/in addition to spring-assisted mechanical gripping force maintenance, the SDV-P pressure maintenance valve can be used for I.D. and O.D. gripping (see "Accessories" section of catalog).

- | | |
|--|--|
| A, a Main / direct connection, gripper opening | ⑦② Fit for centering sleeves |
| B, b Main / direct connection, gripper closing | ⑦③ Fit for centering pins |
| S Air purge connection | ⑧① Depth of the centering sleeve hole in the counter part |
| ① Gripper connection | ⑨① Sensor MMS 22.. |
| ② Finger connection | ⑨② Thread below the cover for fastening external attachments |
| ②④ Bolt circle | |

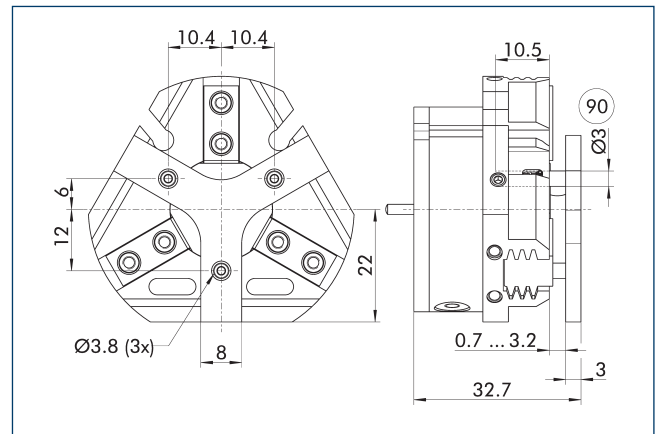
Precision version



- ②① For version AS/IS
- ⑦② Fit for centering sleeves
- ⑦③ Fit for centering pins
- ⑧① Depth of the centering sleeve hole in the counter part

The indicated tolerances just refer to the variants of precision versions shown in the chart of technical specifications. All other variants of precision versions are available on request.

Spring-loaded pressure piece



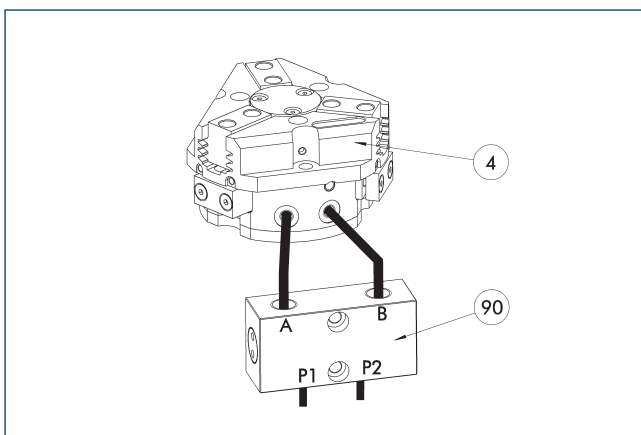
- ⑨① Guide pin

For spring-supported positioning of the workpiece against a stop after the gripper has opened. Especially developed for loading machines.

Description	ID	Stroke [mm]	Min. force [N]
Spring-loaded pressure piece			
A-PZN-plus 40	0303718	2.5	5

- ① The pressure piece cannot be combined with the dustproof option. Please contact us if you require a customized pressure piece.

SDV-P pressure maintenance valve



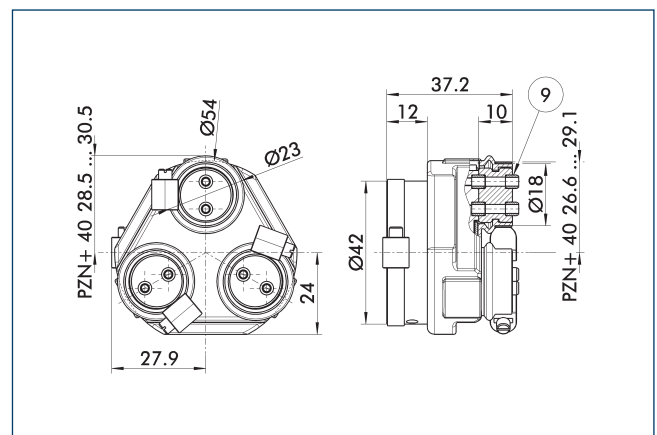
- ④ Grippers
- ⑨① SDV-P pressure maintenance valve

The SDV-P pressure maintenance valve ensures in emergency STOP situations that the pressure in the piston chamber of pneumatic gripper, swivel, linear, and quick-change modules is temporarily maintained.

Description	ID	Recommended hose diameter [mm]
Pressure maintenance valve		
SDV-P 04	0403130	6
Pressure maintenance valve with air bleed screw		
SDV-P 04-E	0300120	6

- ① In order to achieve the specified closing and opening time for each gripper variant, the recommended hose diameter must be used. The direct allocation of the respective variant of the gripper for the respective SDV-P can be found at schunk.com.

Protective cover HUE PZN-plus 40



- ⑨ For mounting screw connection diagram, see basic version

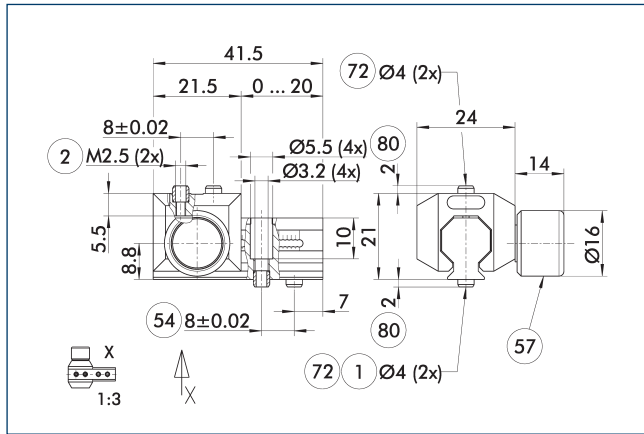
The HUE protective cover fully protects the gripper against external influences. The cover is suitable for applications of up to IP65 if an additional sealing of the cover bottom is provided. For detailed information, please see the HUE series. The connection diagram shifts by the height of the intermediate jaw.

Description	ID	IP protection class
Protection cover		
HUE PZN-plus 40	0303478	65

PZN-plus 40

Universal gripper

UZB 40 universal intermediate jaw



- ① Gripper connection
- ② Finger connection
- ⑤4 Optional right or left connection
- ⑤7 Locking
- ⑦2 Fit for centering sleeves
- ⑧0 Depth of the centering sleeve hole in the counter part

The drawing shows the UZB universal intermediate jaw.

Description	ID	Grid dimension
[mm]		
Universal intermediate jaw		
UZB 40	0300040	1
Finger blank		
ABR-PGZN-plus 40	0300008	
SBR-PGZN-plus 40	0300018	

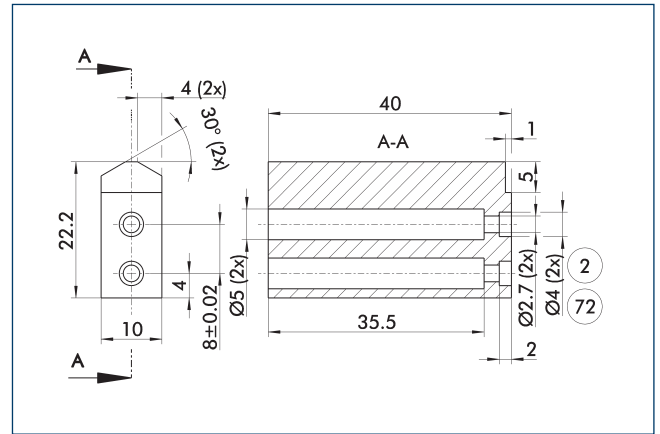
① If the operating pressure is higher than 6 bar, suitability for use beyond the application limits must be checked.

Fields of application

Series	Size	Variant	Suitability
PZN-plus	40	-1 (6 bar)	■■■■
PZN-plus	40	-1-AS/1-IS (6 bar)	■■□□
PZN-plus	40	---KVZ (6 bar)	□□□□
Legend			
■■■■	Can be combined without restrictions		
■■□□	Use with restrictions (see loading limits)		
□□□□	cannot be combined		

The load limits for describing the application limits can be found in the catalog chapter of the corresponding accessories.

Finger blanks ABR/SBR-PGZN-plus 40

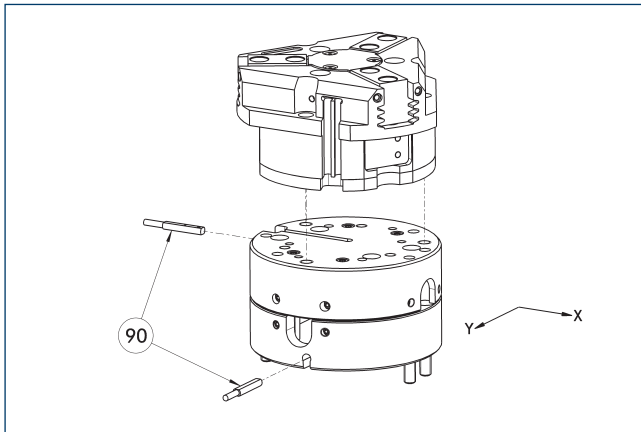


- ② Finger connection
- ⑦2 Fit for centering sleeves

The drawing shows the finger blank which can be reworked by the customer.

Description	ID	Material	Scope of delivery
Finger blank			
ABR-PGZN-plus 40	0300008	Aluminum (3.4365)	1
SBR-PGZN-plus 40	0300018	Steel (1.7131)	1

Compensation unit AGE-F

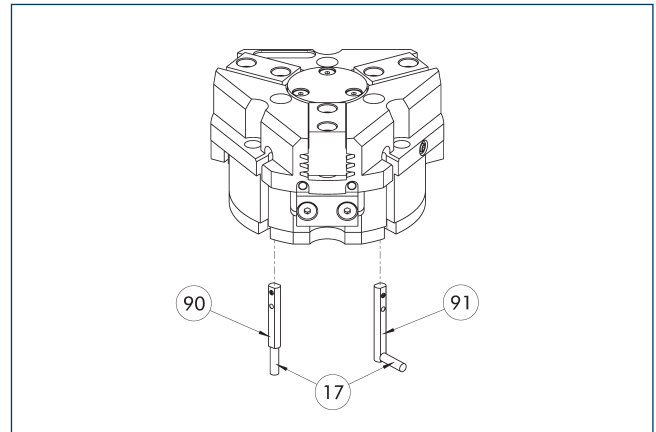


90 Monitoring

Grippers can be directly mounted without an adapter plate. For details see our catalog Gripping or Robot Accessories.

Description	ID	Compensation XY	Reset force	Often combined
		[mm]	[N]	
Compensation unit				
AGE-F-XY-031-1	0324900	± 1.5	1.5	
AGE-F-XY-031-2	0324901	± 1.5	4	
AGE-F-XY-031-3	0324902	± 1.5	5.5	●

Electronic magnetic switch MMS



17 Cable outlet

91 Sensor MMS 22...-SA

90 Sensor MMS 22..

End position monitoring for mounting in the C-slot.

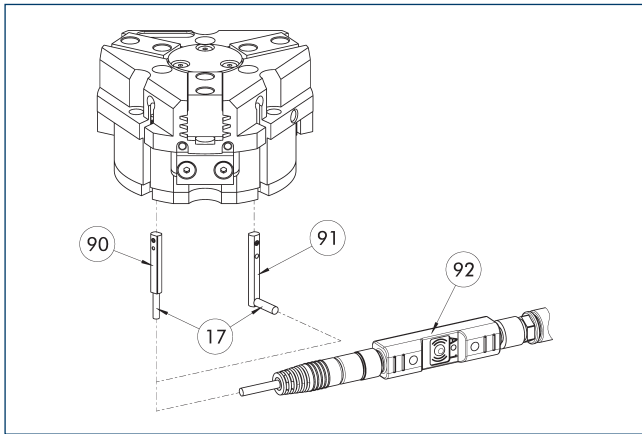
Description	ID	Often combined
Electronic magnetic switch		
MMS 22-S-M8-PNP	0301032	●
MMSK 22-S-PNP	0301034	
Electronic magnetic switches with lateral cable outlet		
MMS 22-S-M8-PNP-SA	0301042	●
MMSK 22-S-PNP-SA	0301044	
Connection cables		
KA BG08-L 3P-0300-PNP	0301622	●
KA BG08-L 3P-0500-PNP	0301623	
KA BW08-L 3P-0300-PNP	0301594	
KA BW08-L 3P-0500-PNP	0301502	
Clip for connector/socket		
CLI-M8	0301463	
Cable extension		
KV BW08-SG08 3P-0030-PNP	0301495	
KV BW08-SG08 3P-0100-PNP	0301496	
KV BW08-SG08 3P-0200-PNP	0301497	●
Sensor distributor		
V2-M8	0301775	●
V4-M8	0301746	
V8-M8	0301751	

① Two sensors are required per unit for monitoring two positions. On option, extension cables and sensor distributors are available. Additional product variants of the sensor, and further information and technical data can be found in the catalog chapter sensor system.

PZN-plus 40

Universal gripper

Programmable magnetic switch MMS 22-PI1



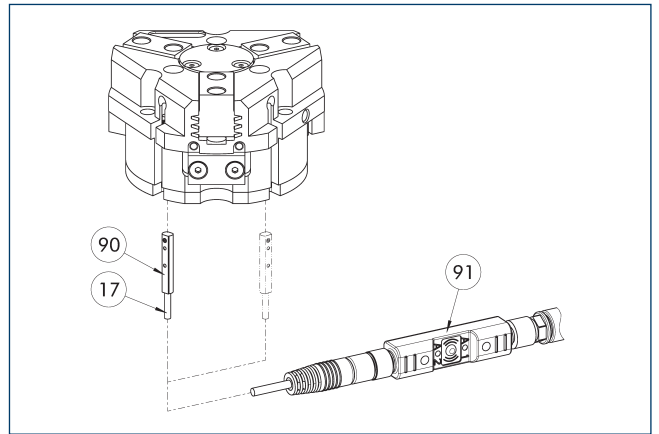
- ①⑦ Cable outlet
- ①⑨ Sensor MMS 22 ..-PI1-...-SA
- ①⑩ Sensor MMS 22 PI1-...
- ①⑫ Connector teaching tool ST

Position monitoring with one programmable position per sensor and integrated electronic system in the sensor. Can be programmed using MT magnetic teaching tool (included in the scope of delivery, ID 0301030) or ST plug teaching tool (optional). End position monitoring for mounting in the C-slot. If the ST plug teaching tools are listed in the table provided, teaching is only possible with the ST teaching tools.

Description	ID	Often combined
Programmable magnetic switch		
MMS 22-PI1-S-M8-PNP	0301160	●
MMSK 22-PI1-S-PNP	0301162	
Programmable magnetic switch with lateral cable outlet		
MMS 22-PI1-S-M8-PNP-SA	0301166	●
MMSK 22-PI1-S-PNP-SA	0301168	
Programmable magnetic switch with stainless steel housing		
MMS 22-PI1-S-M8-PNP-HD	0301110	●
MMSK 22-PI1-S-PNP-HD	0301112	
Plug teaching tool		
ST-MMS 22-PI1-PNP	0301025	

- ① Two sensors are required per unit for monitoring two positions. On option, extension cables and sensor distributors are available. Additional product variants of the sensor, and further information and technical data can be found in the catalog chapter sensor system.

Programmable magnetic switch MMS 22-PI2



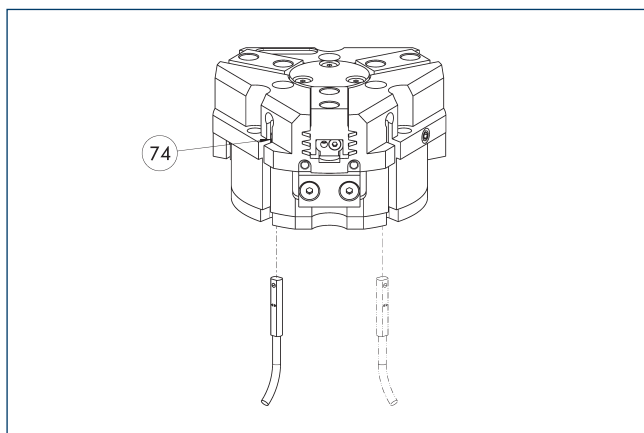
- ①⑦ Cable outlet
- ①⑨ Connector teaching tool ST
- ①⑩ MMS 22-PI2-... sensor

Position monitoring with two programmable positions per sensor and electronics integrated in the sensor. Can be programmed using MT magnetic teaching tool (included in the scope of delivery, ID 0301030) or ST plug teaching tool (optional). End position monitoring for mounting in the C-slot. If the ST plug teaching tools are listed in the table provided, teaching is only possible with the ST teaching tools.

Description	ID	Often combined
Programmable magnetic switch		
MMS 22-PI2-S-M8-PNP	0301180	●
MMSK 22-PI2-S-PNP	0301182	
Programmable magnetic switch with lateral cable outlet		
MMS 22-PI2-S-M8-PNP-SA	0301186	●
MMSK 22-PI2-S-PNP-SA	0301188	
Programmable magnetic switch with stainless steel housing		
MMS 22-PI2-S-M8-PNP-HD	0301130	●
MMSK 22-PI2-S-PNP-HD	0301132	
Plug teaching tool		
ST-MMS 22-PI2-PNP	0301026	

- ① One sensor is required per unit for monitoring two positions. Extension cables and sensor distributors are optionally available. Additional product variants of the sensor, and further information and technical data can be found in the catalog chapter sensor systems.

MMS-P programmable magnetic switch



⑦④ Limit stop for sensor

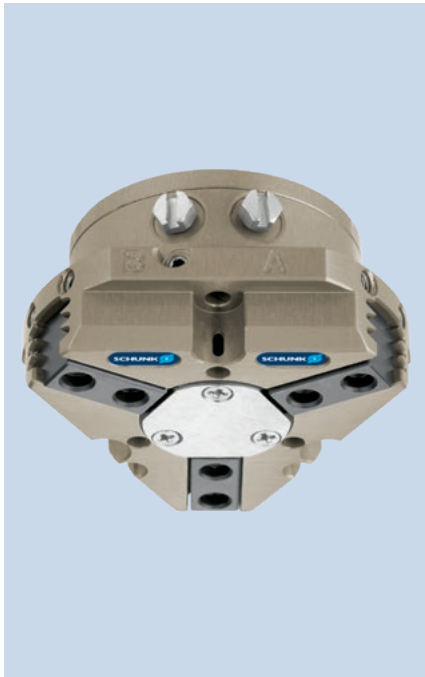
Position monitoring with two programmable positions per sensor. End position monitoring for mounting in the C-slot.

Description	ID	Often combined
Programmable magnetic switch		
MMSK-P 22-S-PNP	0301371	
MMS-P 22-S-M8-PNP	0301370	●
Connection cables		
KA GLN0804-LK-00500-A	0307767	●
KA GLN0804-LK-01000-A	0307768	
KA WLN0804-LK-00500-A	0307765	
KA WLN0804-LK-01000-A	0307766	
Clip for connector/socket		
CLI-M8	0301463	
Sensor distributor		
V2-M8-4P-2XM8-3P	0301380	

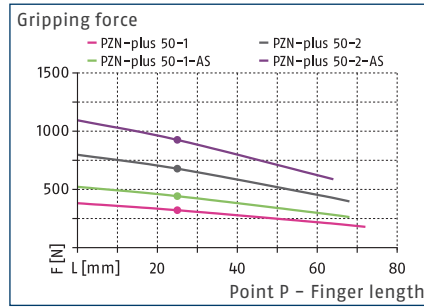
① One sensor is required per unit for monitoring two positions. Extension cables and sensor distributors are optionally available. Additional product variants of the sensor, and further information and technical data can be found in the catalog chapter sensor systems.

PZN-plus 50

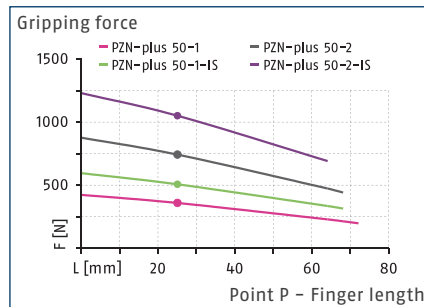
Universal gripper



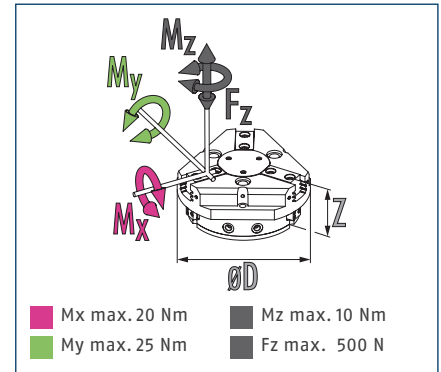
Gripping force O.D. gripping



Gripping force I.D. gripping



Dimensions and maximum loads



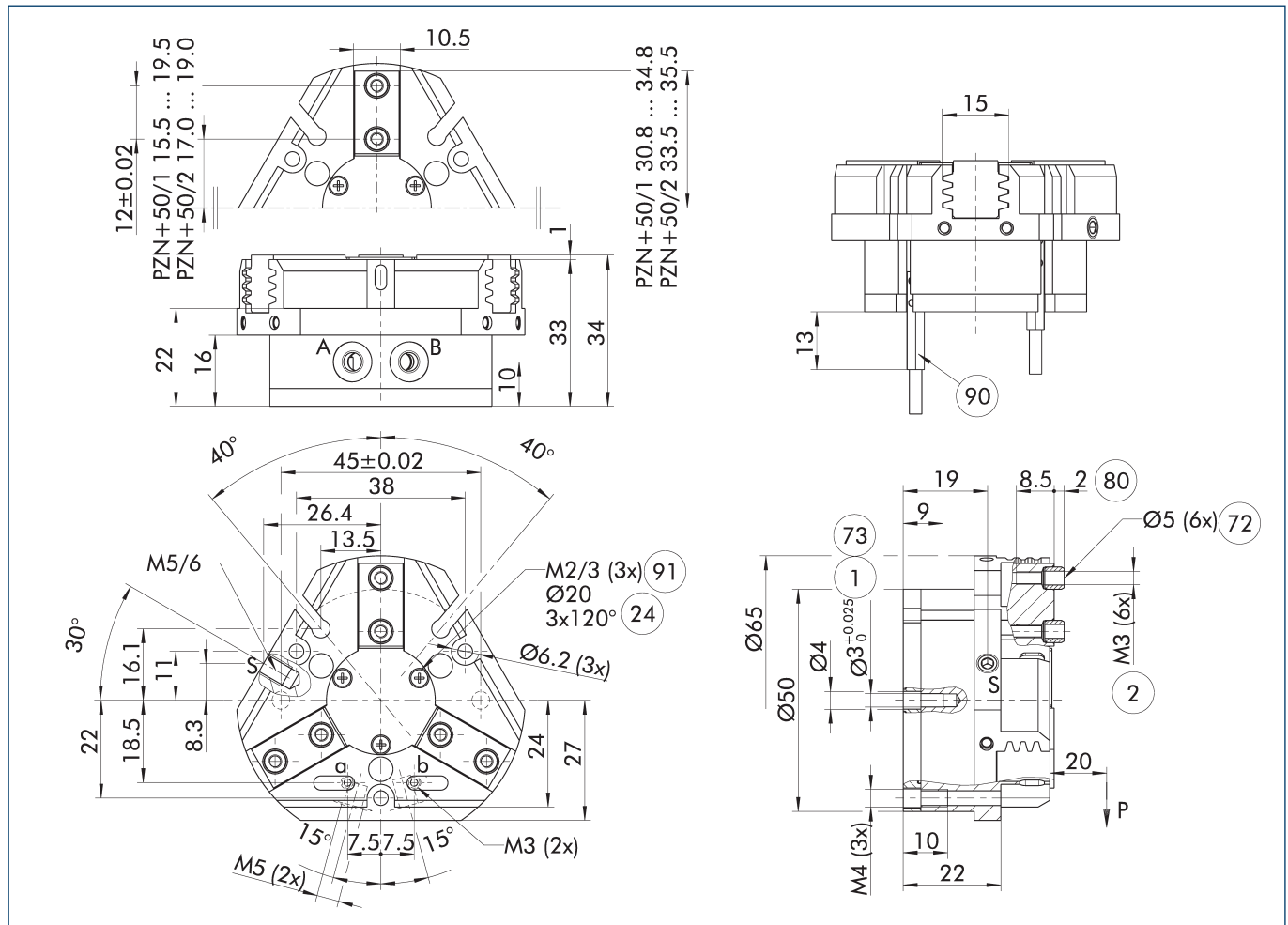
① The indicated moments and forces are static values, apply for each base jaw and may appear simultaneously. Loads may additionally occur to the moment produced by the gripping force itself.

Technical data

Description		PZN-plus 50-1	PZN-plus 50-2	PZN-plus 50-1-AS	PZN-plus 50-2-AS	PZN-plus 50-1-IS	PZN-plus 50-2-IS
ID		0303309	0303409	0303509	0303609	0303539	0303639
Stroke per jaw	[mm]	4	2	4	2	4	2
Closing/opening force	[N]	325/355	680/740	445/-	925/-	-/505	-/1050
Min. spring force	[N]			120	245	150	310
Weight	[kg]	0.27	0.27	0.35	0.35	0.35	0.35
Recommended workpiece weight	[kg]	1.65	3.4	1.65	3.4	1.65	3.4
Cylinder volume per double stroke	[cm ³]	9	9	18	18	18	18
Min./nom./max. operating pressure	[bar]	2/6/8	2/6/8	4/6/6.5	4/6/6.5	4/6/6.5	4/6/6.5
Min./max. air purge pressure	[bar]	0.5/1	0.5/1	0.5/1	0.5/1	0.5/1	0.5/1
Closing/opening time	[s]	0.03/0.03	0.03/0.03	0.02/0.04	0.02/0.04	0.04/0.02	0.04/0.02
Closing/opening time with spring	[s]			0.08	0.08	0.08	0.08
Max. permissible finger length	[mm]	72	68	68	64	68	64
Max. permissible weight per finger	[kg]	0.18	0.18	0.18	0.18	0.18	0.18
IP protection class		40	40	40	40	40	40
Min./max. ambient temperature	[°C]	5/90	5/90	5/90	5/90	5/90	5/90
Repeat accuracy	[mm]	0.01	0.01	0.01	0.01	0.01	0.01
Dimensions Ø D x Z	[mm]	65 x 34	65 x 34	65 x 44.5	65 x 44.5	65 x 44.5	65 x 44.5
Options and their characteristics							
Dustproof version		37303309	37303409	37303509	37303609	37303539	37303639
IP protection class		64	64	64	64	64	64
Weight	[kg]	0.33	0.33	0.41	0.41	0.41	0.41
Corrosion-protected version		38303309	38303409	38303509	38303609	38303539	38303639
High-temperature version		39303309	39303409	39303509	39303609	39303539	39303639
Min./max. ambient temperature	[°C]	5/130	5/130	5/130	5/130	5/130	5/130
Power booster version		0372200	0372210	0372220		0372240	
Closing/opening force	[N]	460/505	970/1050	560/-		-/631	
Weight	[kg]	0.38	0.38	0.46		0.46	
Maximum pressure	[bar]	6	6	6		6	
Max. permissible finger length	[mm]	64	50	50		50	
Precision version		0303339	0303439	0303489	0303589		

① It may take a few 100 gripping cycles until the full gripping force (as indicated in the data table) will be available.

Main view



The drawing shows the gripper in the basic version with closed jaws, without dimensional consideration of the options described below.

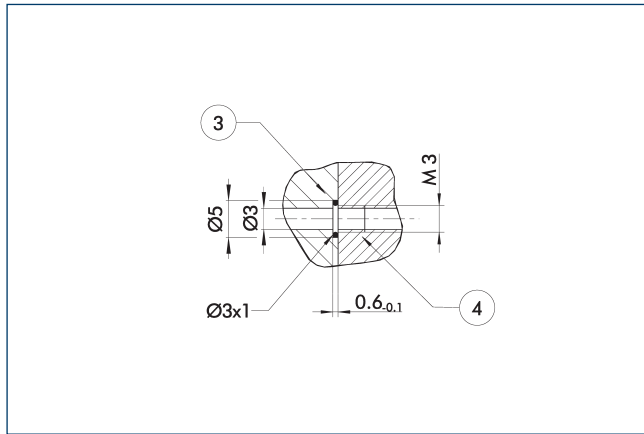
① As an alternative/in addition to spring-assisted mechanical gripping force maintenance, the SDV-P pressure maintenance valve can be used for I.D. and O.D. gripping (see "Accessories" section of catalog).

- A, a Main / direct connection, gripper opening
- B, b Main / direct connection, gripper closing
- S Air purge connection
- ① Gripper connection
- ② Finger connection
- ②④ Bolt circle
- ⑦② Fit for centering sleeves
- ⑦③ Fit for centering pins
- ⑧① Depth of the centering sleeve hole in the counter part
- ⑨① Sensor MMS 22..
- ⑨① Thread below the cover for fastening external attachments

PZN-plus 50

Universal gripper

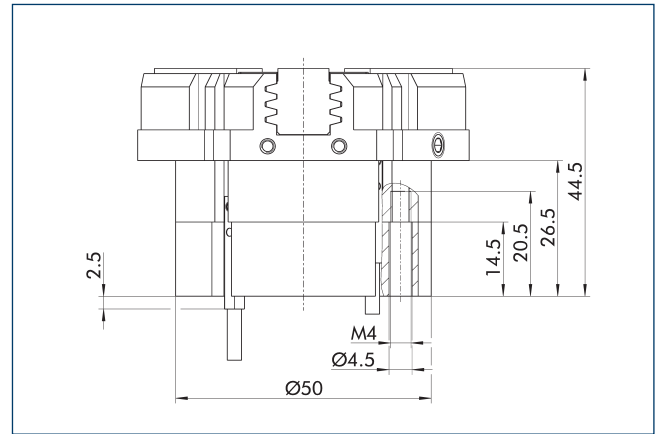
Hose-free direct connection M3



- ③ Adapter
- ④ Grippers

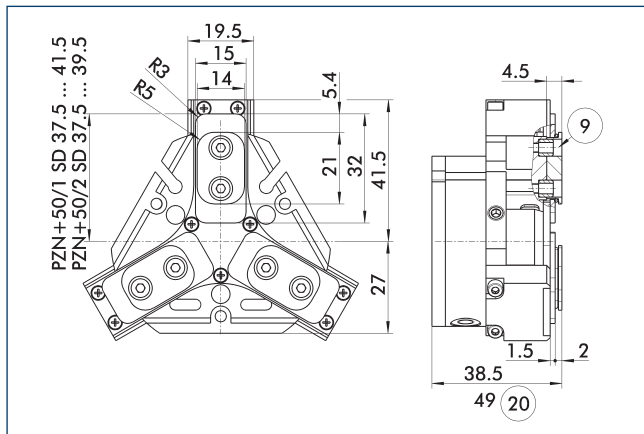
The direct connection is used for supplying compressed air without hoses. Instead, the pressure medium is fed through bore-holes in the mounting plate.

Gripping force maintenance version AS/IS



The mechanical gripping force maintenance device ensures that a minimum clamping force will be applied even if there is a drop in pressure. In the AS/IS variant this acts as a closing force, in the IS variant as an opening force. Besides this, gripping force maintenance can be used to increase gripping force or for single actuated gripping.

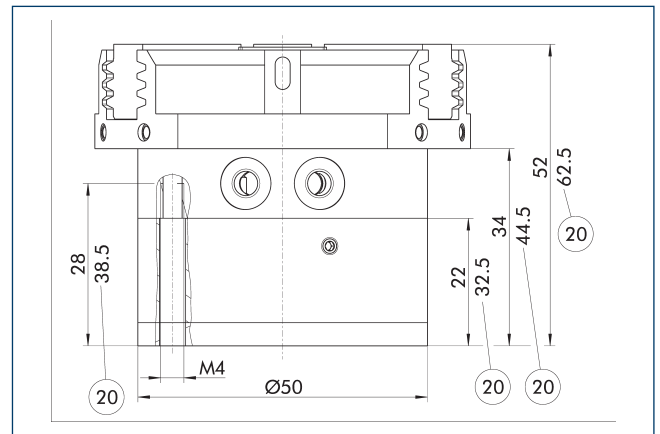
Dustproof version



- ⑨ For mounting screw connection
- ⑳ For version AS/IS diagram, see basic version

The "dustproof" option increases the degree of protection against penetrating substances. The assembly diagram shifts by the height of the intermediate jaw. The finger length is still measured from the upper edge of the gripper housing.

Power booster version



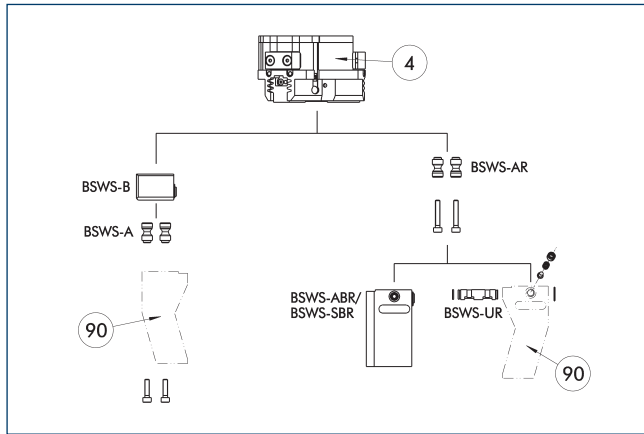
- ⑳ For version AS/IS

The KVZ cylinder increases the gripping forces during opening and closing. A second, in series-connected piston also increases the force on the wedge hook. Please consider that grippers which are equipped with a gripping force maintenance device are higher.

PZN-plus 50

Universal gripper

BSWS jaw quick-change jaw systems



④ Grippers ⑨0 Customized gripper fingers

There are various jaw quick-change systems available for the gripper. For detailed information, please refer to the corresponding product.

Description	ID	Scope of delivery
Jaw quick-change system adapter pin		
BSWS-A 50	0303020	2
BSWS-AR 50	0300091	2
Quick-change jaw system base		
BSWS-B 50	0303021	1
Jaw quick-change system finger blank		
BSWS-ABR-PGZN-plus 50	0300071	1
BSWS-SBR-PGZN-plus 50	0300081	1
Jaw quick-change system locking mechanism		
BSWS-UR 50	0302990	1

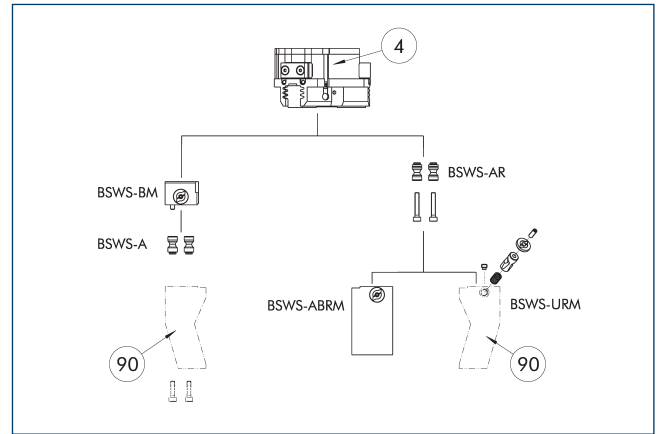
① If the operating pressure is higher than 6 bar, suitability for use beyond the application limits must be checked. Only systems that are listed in the table, can be used.

Fields of application

Series	Size	Variant	Suitability
PZN-plus	50	-1 (6 bar)	■■■■■
PZN-plus	50	-1-AS/1-IS (6 bar)	■■■■■
PZN-plus	50	-2 (6 bar)	■■■■■
PZN-plus	50	-2-AS/2-IS (6 bar)	■■■□□
PZN-plus	50	-...-KVZ (6 bar)	■■■□□
Legend			
■■■■■	Can be combined without restrictions		
■■■□□	Use with restrictions (see loading limits)		
□□□□	cannot be combined		

The load limits for describing the application limits can be found in the catalog chapter of the corresponding accessories.

Jaw quick-change system BSWS-M



④ Grippers ⑨0 Customized gripper fingers

There are various jaw quick-change systems available for the gripper. For detailed information, please refer to the corresponding product.

Description	ID	Scope of delivery
Jaw quick-change system adapter pin		
BSWS-A 50	0303020	2
BSWS-AR 50	0300091	2
Quick-change jaw system base		
BSWS-BM 50	1313899	1
Jaw quick-change system finger blank		
BSWS-ABRM-PGZN-plus 50	1420850	1
Jaw quick-change system locking mechanism		
BSWS-URM 50	1380614	1

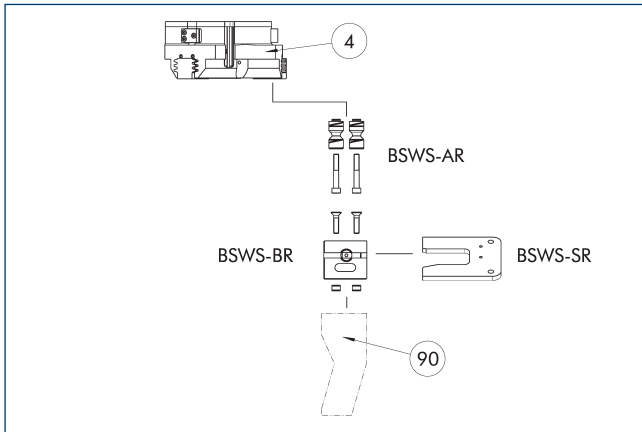
① If the operating pressure is higher than 6 bar, suitability for use beyond the application limits must be checked. Only systems that are listed in the table, can be used.

Fields of application

Series	Size	Variant	Suitability
PZN-plus	50	-1 (6 bar)	■■■■■
PZN-plus	50	-1-AS/1-IS (6 bar)	■■■■■
PZN-plus	50	-2 (6 bar)	■■■■■
PZN-plus	50	-2-AS/2-IS (6 bar)	■■■□□
PZN-plus	50	-...-KVZ (6 bar)	■■■□□
Legend			
■■■■■	Can be combined without restrictions		
■■■□□	Use with restrictions (see loading limits)		
□□□□	cannot be combined		

The load limits for describing the application limits can be found in the catalog chapter of the corresponding accessories.

Jaw quick-change system BSWs-R



- ④ Grippers
- ⑨⑩ Customized gripper fingers

If the operating pressure is higher than 6 bar, suitability for use beyond the application limits must be checked. Only systems that are listed in the table, can be used.

Description	ID	Scope of delivery
Jaw quick-change system adapter pin		
BSWS-AR 50	0300091	2
Quick-change jaw system base		
BSWS-BR 50	1555889	1
Storage system		
BSWS-SR 50	1555948	1
Attachment kit for proximity switch		
AS-IN40-BSWS-SR 50/64	1561455	1
Inductive proximity switch		
IN 40-S-M12	0301574	
IN 40-S-M8	0301474	
INK 40-S	0301555	
Inductive proximity switch with lateral cable outlet		
IN 40-S-M12-SA	0301577	
INK 40-S-SA	0301565	

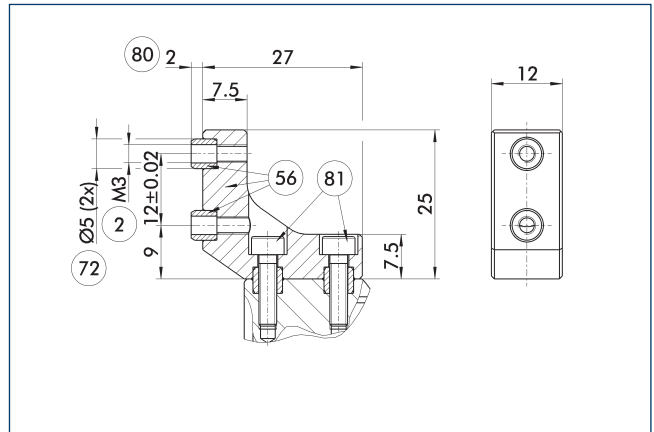
① Only systems that are listed in the table, can be used.

Fields of application

Series	Size	Variant	Suitability
PZN-plus	50	-1 (6 bar)	■■■■
PZN-plus	50	-1-AS/1-IS (6 bar)	■■■■
PZN-plus	50	-2 (6 bar)	■■■■
PZN-plus	50	-2-AS/2-IS (6 bar)	■■□□
PZN-plus	50	-...-KVZ (6 bar)	■■□□
Legend			
■■■■	Can be combined without restrictions		
■■□□	Use with restrictions (see loading limits)		
□□□□	cannot be combined		

The load limits for describing the application limits can be found in the catalog chapter of the corresponding accessories.

ZBA-L-plus 50 intermediate jaws



- ② Finger connection
- ⑤⑥ Included in the scope of delivery
- ⑦② Fit for centering sleeves
- ⑧⑩ Depth of the centering sleeve hole in the counter part
- ⑧① Not included in the scope of delivery

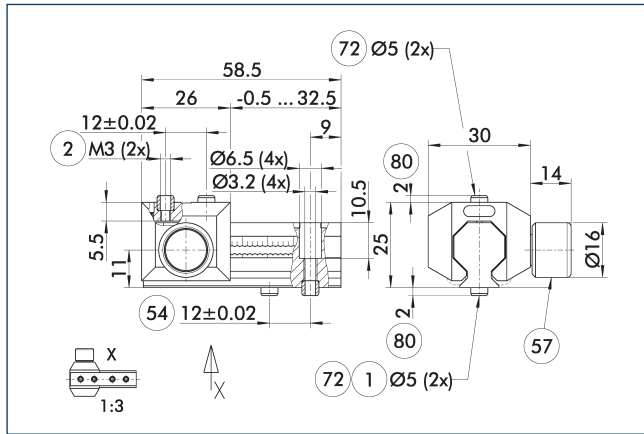
The optional ZBA-L-plus intermediate jaws allow the screw connection diagram of the top jaws to be rotated by 90°. This makes it easier to design and produce top jaws (particularly for long versions) because no deep through-bores are required.

Description	ID	Material	Finger interface	Scope of delivery
Intermediate jaw				
ZBA-L-plus 50	0311712	Aluminum	PGN-plus 50	1

PZN-plus 50

Universal gripper

UZB 50 universal intermediate jaw



- ① Gripper connection
- ② Finger connection
- ⑤④ Optional right or left connection
- ⑤⑦ Locking
- ⑦② Fit for centering sleeves
- ⑧① Depth of the centering sleeve hole in the counter part

The drawing shows the UZB universal intermediate jaw.

Description	ID	Grid dimension
		[mm]
Universal intermediate jaw		
UZB 50	0300041	1.5
Finger blank		
ABR-PGZN-plus 50	0300009	
SBR-PGZN-plus 50	0300019	

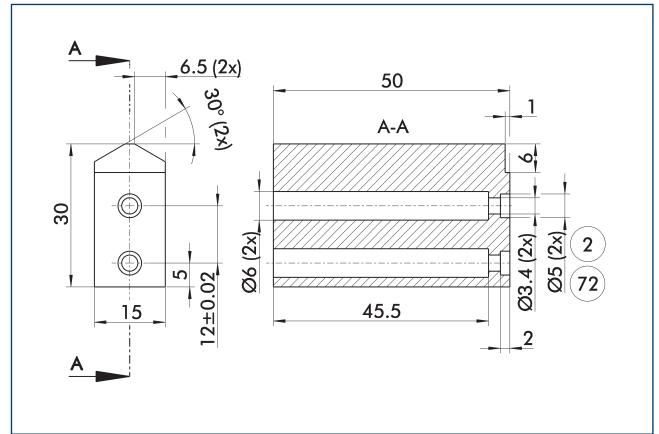
① If the operating pressure is higher than 6 bar, suitability for use beyond the application limits must be checked.

Fields of application

Series	Size	Variant	Suitability
PZN-plus	50	-1 (6 bar)	■■■■
PZN-plus	50	-1-AS/1-IS (6 bar)	■■□□
PZN-plus	50	-2 (6 bar)	□□□□
PZN-plus	50	-2-AS/2-IS (6 bar)	□□□□
PZN-plus	50	-...-KVZ (6 bar)	□□□□
Legend			
■■■■	Can be combined without restrictions		
■■□□	Use with restrictions (see loading limits)		
□□□□	cannot be combined		

The load limits for describing the application limits can be found in the catalog chapter of the corresponding accessories.

Finger blanks ABR/SBR-PGZN-plus 50

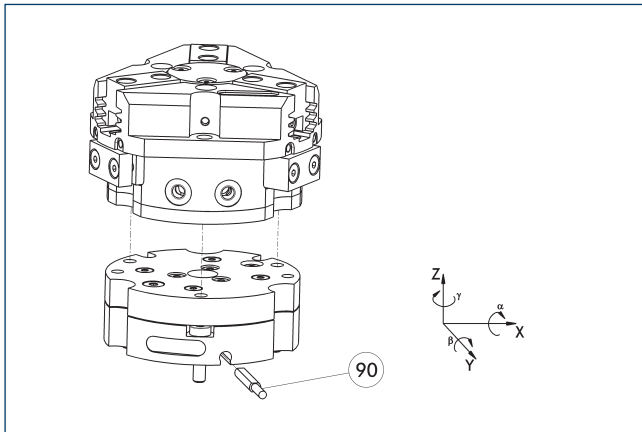


- ② Finger connection
- ⑦② Fit for centering sleeves

The drawing shows the finger blank which can be reworked by the customer.

Description	ID	Material	Scope of delivery
Finger blank			
ABR-PGZN-plus 50	0300009	Aluminum (3.4365)	1
SBR-PGZN-plus 50	0300019	Steel (1.7131)	1

Tolerance compensation unit TCU

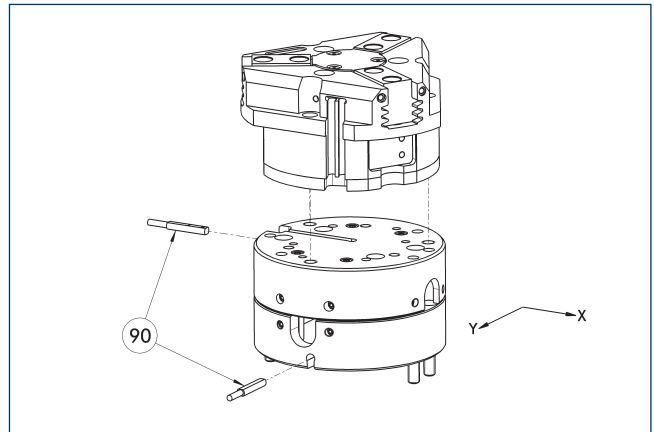


90 Monitoring of locking

Grippers can be directly mounted without an adapter plate. Tolerance compensation unit and gripper have an identical screw connection diagram. Therefore the tolerance compensation units can be assembled later. Please consider the additional assembly height of the tolerance compensation unit. For details please refer to our catalog robot accessories.

Description	ID	Locking	Deflection
Compensation unit			
TCU-Z-050-3-0V	0324749	no	$\pm 1^\circ / \pm 1^\circ / \pm 1,5^\circ$

Compensation unit AGE-F

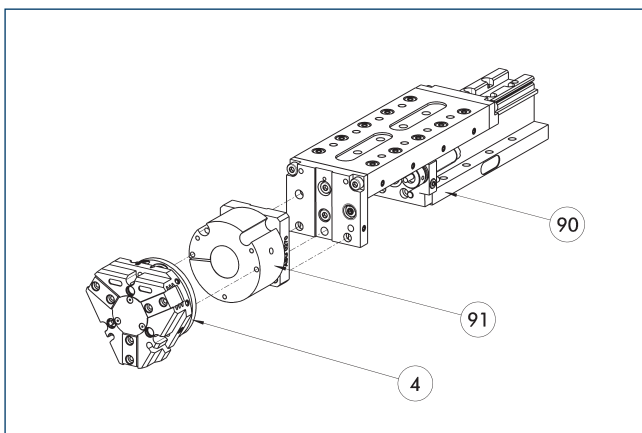


90 Monitoring

Grippers can be directly mounted without an adapter plate. For details see our catalog Gripping or Robot Accessories.

Description	ID	Compensation XY	Reset force	Often combined
		[mm]	[N]	
Compensation unit				
AGE-F-XY-040-1	0324920	± 2	3	
AGE-F-XY-040-2	0324921	± 2	4	
AGE-F-XY-040-3	0324922	± 2	4.5	●

Modular Assembly Automation



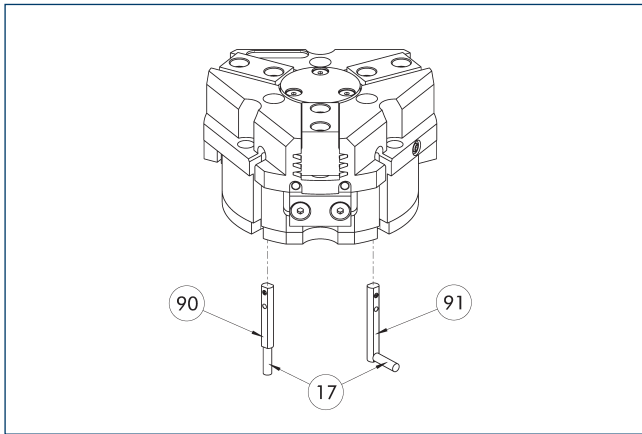
- 4 Grippers
- 91 ASG adapter plate
- 90 Linear module CLM/KLM/LM/ELP/ELM/ELS/HLM

Grippers and linear modules can be combined with standard adapter plates from the modular assembly system. For more information see our main catalog "Modular Assembly Automation".

PZN-plus 50

Universal gripper

Electronic magnetic switch MMS



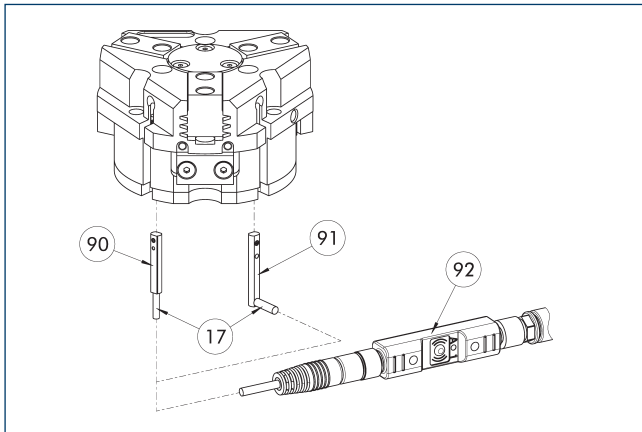
- ①⑦ Cable outlet ①⑨① Sensor MMS 22...-SA
 ①⑨① Sensor MMS 22..

End position monitoring for mounting in the C-slot.

Description	ID	Often combined
Electronic magnetic switch		
MMS 22-S-M8-PNP	0301032	●
MMSK 22-S-PNP	0301034	
Electronic magnetic switches with lateral cable outlet		
MMS 22-S-M8-PNP-SA	0301042	●
MMSK 22-S-PNP-SA	0301044	
Connection cables		
KA BG08-L 3P-0300-PNP	0301622	●
KA BG08-L 3P-0500-PNP	0301623	
KA BW08-L 3P-0300-PNP	0301594	
KA BW08-L 3P-0500-PNP	0301502	
Clip for connector/socket		
CLI-M8	0301463	
Cable extension		
KV BW08-SG08 3P-0030-PNP	0301495	
KV BW08-SG08 3P-0100-PNP	0301496	
KV BW08-SG08 3P-0200-PNP	0301497	●
Sensor distributor		
V2-M8	0301775	●
V4-M8	0301746	
V8-M8	0301751	

- ① Two sensors are required per unit for monitoring two positions. On option, extension cables and sensor distributors are available. Additional product variants of the sensor, and further information and technical data can be found in the catalog chapter sensor system.

Programmable magnetic switch MMS 22-PI1



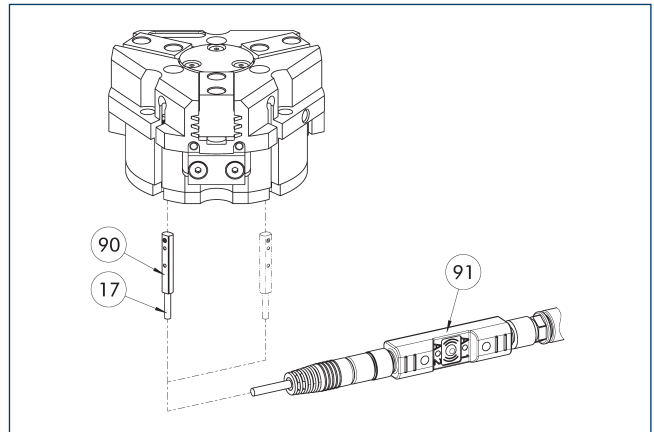
- ①⑦ Cable outlet
- ①⑨ Sensor MMS 22 ..-PI1-...-SA
- ①⑩ Sensor MMS 22 PI1-...
- ①⑫ Connector teaching tool ST

Position monitoring with one programmable position per sensor and integrated electronic system in the sensor. Can be programmed using MT magnetic teaching tool (included in the scope of delivery, ID 0301030) or ST plug teaching tool (optional). End position monitoring for mounting in the C-slot. If the ST plug teaching tools are listed in the table provided, teaching is only possible with the ST teaching tools.

Description	ID	Often combined
Programmable magnetic switch		
MMS 22-PI1-S-M8-PNP	0301160	●
MMSK 22-PI1-S-PNP	0301162	
Programmable magnetic switch with lateral cable outlet		
MMS 22-PI1-S-M8-PNP-SA	0301166	●
MMSK 22-PI1-S-PNP-SA	0301168	
Programmable magnetic switch with stainless steel housing		
MMS 22-PI1-S-M8-PNP-HD	0301110	●
MMSK 22-PI1-S-PNP-HD	0301112	
Plug teaching tool		
ST-MMS 22-PI1-PNP	0301025	

- ① Two sensors are required per unit for monitoring two positions. On option, extension cables and sensor distributors are available. Additional product variants of the sensor, and further information and technical data can be found in the catalog chapter sensor system.

Programmable magnetic switch MMS 22-PI2



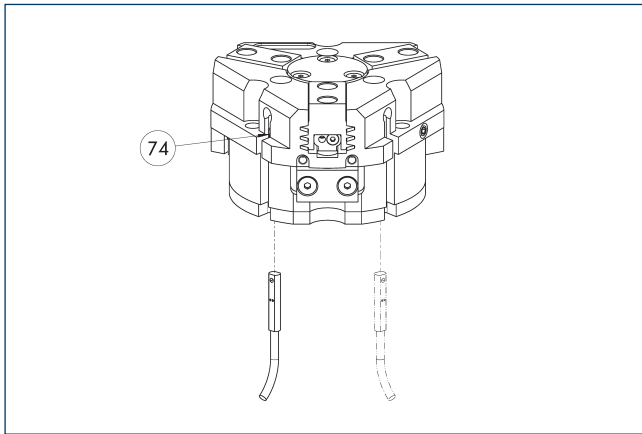
- ①⑦ Cable outlet
- ①⑨ Connector teaching tool ST
- ①⑩ MMS 22...-PI2-... sensor

Position monitoring with two programmable positions per sensor and electronics integrated in the sensor. Can be programmed using MT magnetic teaching tool (included in the scope of delivery, ID 0301030) or ST plug teaching tool (optional). End position monitoring for mounting in the C-slot. If the ST plug teaching tools are listed in the table provided, teaching is only possible with the ST teaching tools.

Description	ID	Often combined
Programmable magnetic switch		
MMS 22-PI2-S-M8-PNP	0301180	●
MMSK 22-PI2-S-PNP	0301182	
Programmable magnetic switch with lateral cable outlet		
MMS 22-PI2-S-M8-PNP-SA	0301186	●
MMSK 22-PI2-S-PNP-SA	0301188	
Programmable magnetic switch with stainless steel housing		
MMS 22-PI2-S-M8-PNP-HD	0301130	●
MMSK 22-PI2-S-PNP-HD	0301132	
Plug teaching tool		
ST-MMS 22-PI2-PNP	0301026	

- ① One sensor is required per unit for monitoring two positions. Extension cables and sensor distributors are optionally available. Additional product variants of the sensor, and further information and technical data can be found in the catalog chapter sensor systems.

MMS-P programmable magnetic switch



⑦④ Limit stop for sensor

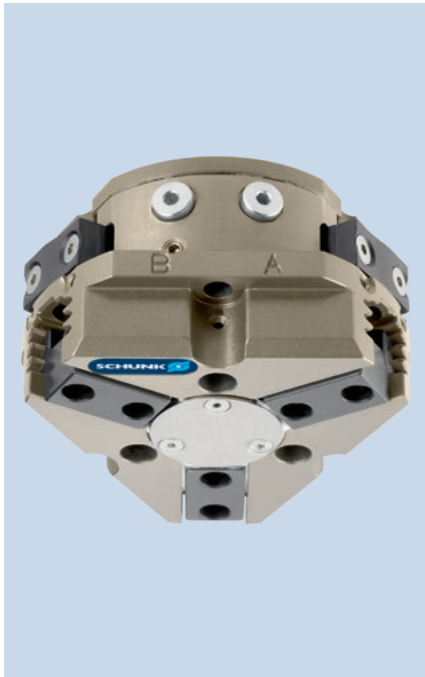
Position monitoring with two programmable positions per sensor. End position monitoring for mounting in the C-slot.

Description	ID	Often combined
Programmable magnetic switch		
MMSK-P 22-S-PNP	0301371	
MMS-P 22-S-M8-PNP	0301370	●
Connection cables		
KA GLN0804-LK-00500-A	0307767	●
KA GLN0804-LK-01000-A	0307768	
KA WLN0804-LK-00500-A	0307765	
KA WLN0804-LK-01000-A	0307766	
Clip for connector/socket		
CLI-M8	0301463	
Sensor distributor		
V2-M8-4P-2XM8-3P	0301380	

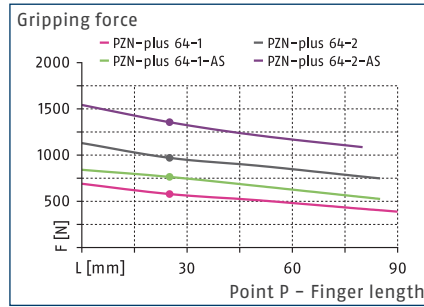
① One sensor is required per unit for monitoring two positions. Extension cables and sensor distributors are optionally available. Additional product variants of the sensor, and further information and technical data can be found in the catalog chapter sensor systems.

PZN-plus 64

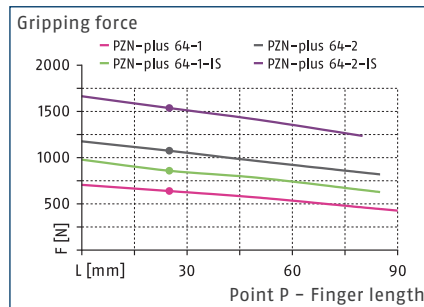
Universal gripper



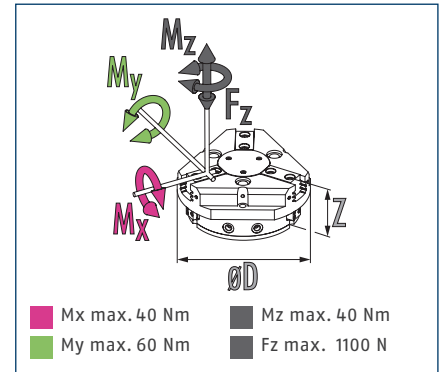
Gripping force O.D. gripping



Gripping force I.D. gripping



Dimensions and maximum loads



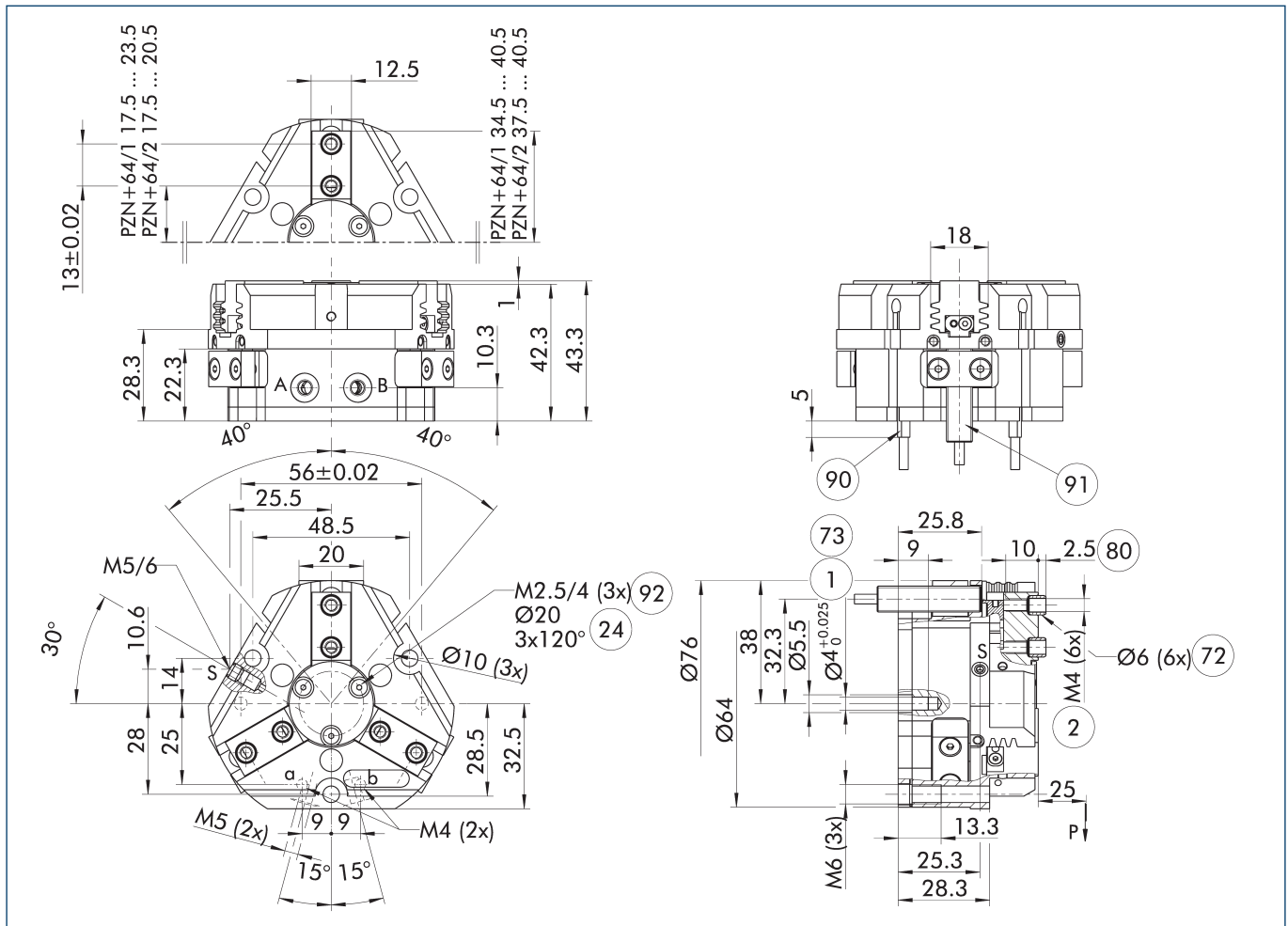
① The indicated moments and forces are static values, apply for each base jaw and may appear simultaneously. Loads may additionally occur to the moment produced by the gripping force itself.

Technical data

Description		PZN-plus 64-1	PZN-plus 64-2	PZN-plus 64-1-AS	PZN-plus 64-2-AS	PZN-plus 64-1-IS	PZN-plus 64-2-IS
ID		0303310	0303410	0303510	0303610	0303540	0303640
Stroke per jaw	[mm]	6	3	6	3	6	3
Closing/opening force	[N]	580/640	970/1075	765/-	1285/-	-/860	-/1535
Min. spring force	[N]			185	315	220	460
Weight	[kg]	0.43	0.43	0.54	0.54	0.54	0.54
Recommended workpiece weight	[kg]	2.9	4.85	2.9	4.85	2.9	4.85
Cylinder volume per double stroke	[cm ³]	25	25	48	48	48	48
Min./nom./max. operating pressure	[bar]	2/6/8	2/6/8	4/6/6.5	4/6/6.5	4/6/6.5	4/6/6.5
Min./max. air purge pressure	[bar]	0.5/1	0.5/1	0.5/1	0.5/1	0.5/1	0.5/1
Closing/opening time	[s]	0.03/0.03	0.03/0.03	0.02/0.04	0.02/0.04	0.04/0.02	0.04/0.02
Closing/opening time with spring	[s]			0.08	0.08	0.08	0.08
Max. permissible finger length	[mm]	90	85	85	80	85	80
Max. permissible weight per finger	[kg]	0.35	0.35	0.35	0.35	0.35	0.35
IP protection class		40	40	40	40	40	40
Min./max. ambient temperature	[°C]	5/90	5/90	5/90	5/90	5/90	5/90
Repeat accuracy	[mm]	0.01	0.01	0.01	0.01	0.01	0.01
Dimensions Ø D x Z	[mm]	76 x 43.3	76 x 43.3	76 x 56.8	76 x 56.8	76 x 56.8	76 x 56.8
Options and their characteristics							
Dustproof version		37303310	37303410	37303510	37303610	37303540	37303640
IP protection class		64	64	64	64	64	64
Weight	[kg]	0.6	0.6	0.71	0.71	0.71	0.71
Corrosion-protected version		38303310	38303410	38303510	38303610	38303540	38303640
High-temperature version		39303310	39303410	39303510	39303610	39303540	39303640
Min./max. ambient temperature	[°C]	5/130	5/130	5/130	5/130	5/130	5/130
Power booster version		0372201	0372211	0372221		0372241	
Closing/opening force	[N]	933/1083	1585/1833	1153/-		-/1250	
Weight	[kg]	0.7	0.7	0.8		0.8	
Maximum pressure	[bar]	6	6	6		6	
Max. permissible finger length	[mm]	80	64	64		64	
Precision version		0303340	0303440	0303490	0303590		

① It may take a few 100 gripping cycles until the full gripping force (as indicated in the data table) will be available.

Main view



The drawing shows the gripper in the basic version with closed jaws, without dimensional consideration of the options described below.

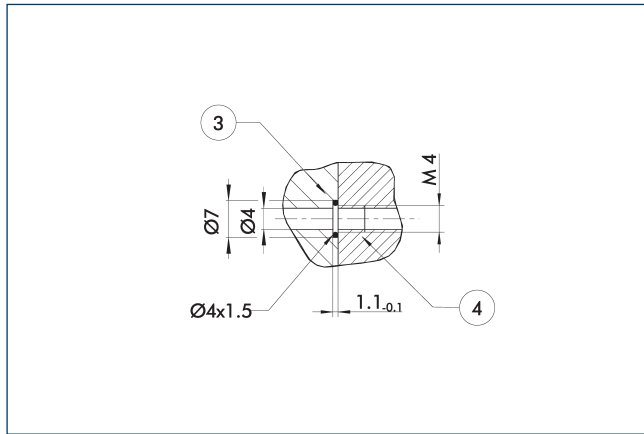
① As an alternative/in addition to spring-assisted mechanical gripping force maintenance, the SDV-P pressure maintenance valve can be used for I.D. and O.D. gripping (see "Accessories" section of catalog).

- | | |
|--|--|
| A, a Main / direct connection, gripper opening | ⑦② Fit for centering sleeves |
| B, b Main / direct connection, gripper closing | ⑦③ Fit for centering pins |
| S Air purge connection | ⑧① Depth of the centering sleeve hole in the counter part |
| ① Gripper connection | ⑨① Sensor MMS 22.. |
| ② Finger connection | ⑨② Sensor IN ... |
| ②④ Bolt circle | ⑨③ Thread below the cover for fastening external attachments |

PZN-plus 64

Universal gripper

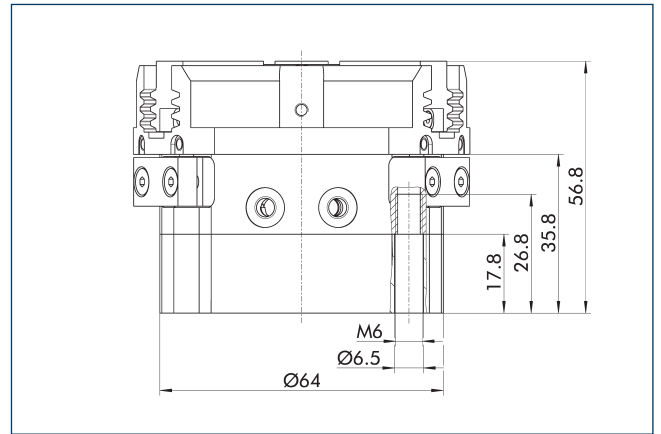
Hose-free direct connection M4



- ③ Adapter
- ④ Grippers

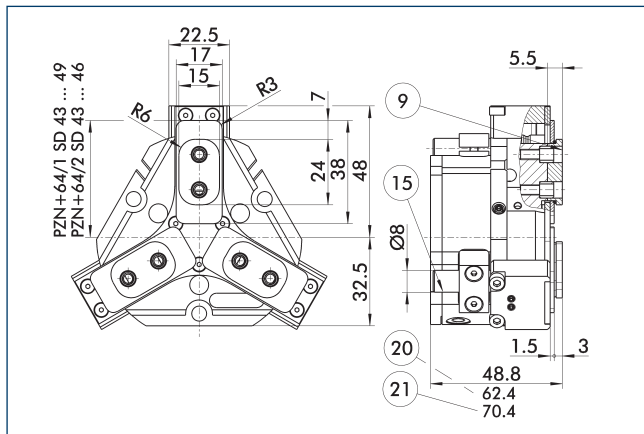
The direct connection is used for supplying compressed air without hoses. Instead, the pressure medium is fed through bore-holes in the mounting plate.

Gripping force maintenance version AS/IS



The mechanical gripping force maintenance device ensures that a minimum clamping force will be applied even if there is a drop in pressure. In the AS/IS variant this acts as a closing force, in the IS variant as an opening force. Besides this, gripping force maintenance can be used to increase gripping force or for single actuated gripping.

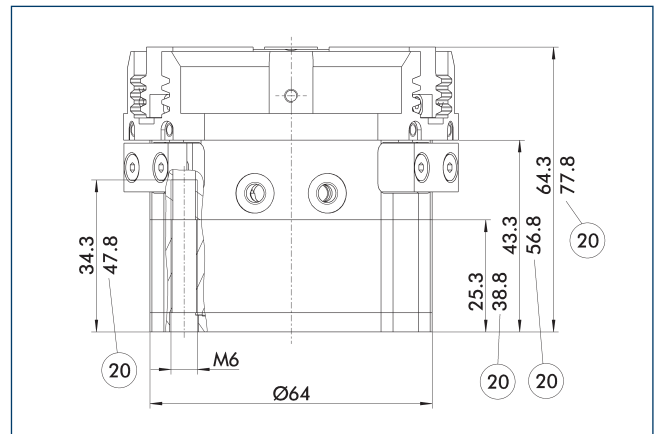
Dustproof version



- ⑨ For mounting screw connection
- ⑩ For version AS/IS diagram, see basic version
- ⑪ Sealing bolt
- ⑫ Applies for KVZ version

The "dustproof" option increases the degree of protection against penetrating substances. The assembly diagram shifts by the height of the intermediate jaw. The finger length is still measured from the upper edge of the gripper housing.

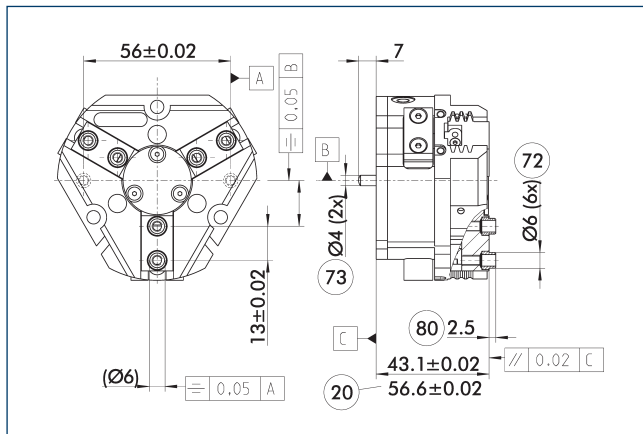
Power booster version



- ⑳ For version AS/IS

The KVZ cylinder increases the gripping forces during opening and closing. A second, in series-connected piston also increases the force on the wedge hook. Please consider that grippers which are equipped with a gripping force maintenance device are higher.

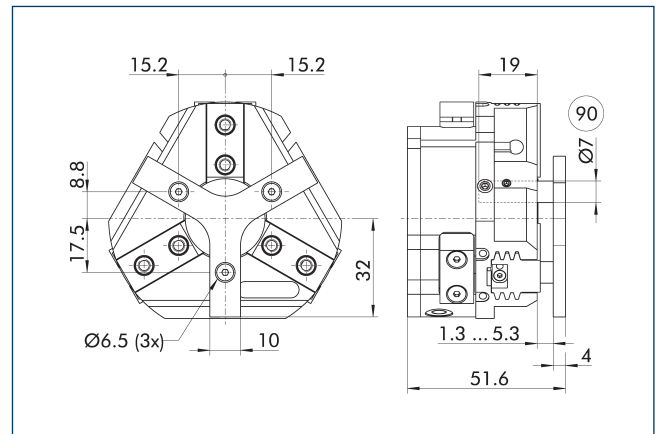
Precision version



- ②0 For version AS/IS
- ⑦2 Fit for centering sleeves
- ⑦3 Fit for centering pins
- ⑧0 Depth of the centering sleeve hole in the counter part

The indicated tolerances just refer to the variants of precision versions shown in the chart of technical specifications. All other variants of precision versions are available on request.

Spring-loaded pressure piece



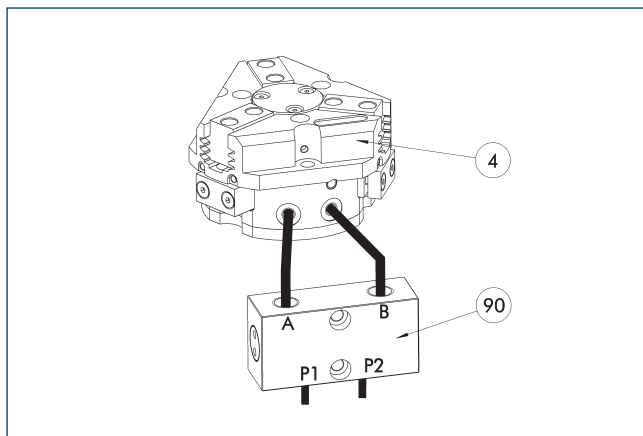
- ⑨0 Guide pin

For spring-supported positioning of the workpiece against a stop after the gripper has opened. Especially developed for loading machines.

Description	ID	Stroke [mm]	Min. force [N]
Spring-loaded pressure piece			
A-PZN-plus/DPZ-plus 64	0303720	4	11

- ① The pressure piece cannot be combined with the dustproof option. Please contact us if you require a customized pressure piece.

SDV-P pressure maintenance valve



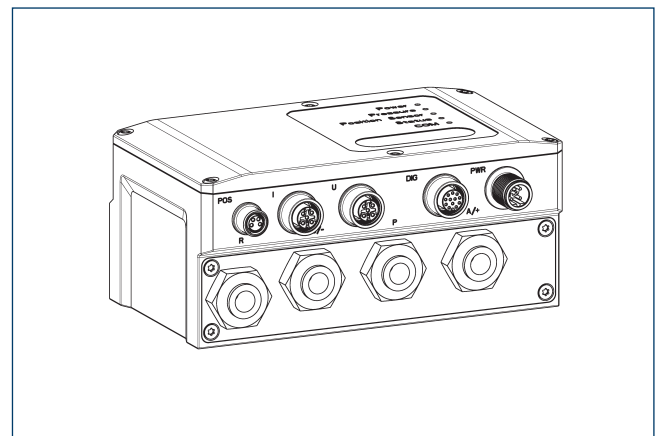
- ④ Grippers
- ⑨0 SDV-P pressure maintenance valve

The SDV-P pressure maintenance valve ensures in emergency STOP situations that the pressure in the piston chamber of pneumatic gripper, swivel, linear, and quick-change modules is temporarily maintained.

Description	ID	Recommended hose diameter [mm]
Pressure maintenance valve		
SDV-P 04	0403130	6
SDV-P 07	0403131	8
Pressure maintenance valve with air bleed screw		
SDV-P 04-E	0300120	6
SDV-P 07-E	0300121	8
SDV-P 10-E	0300109	10

- ① In order to achieve the specified closing and opening time for each gripper variant, the recommended hose diameter must be used. The direct allocation of the respective variant of the gripper for the respective SDV-P can be found at schunk.com.

Pneumatic positioning device PPD



The PPD allows flexibility in all applications with pneumatic grippers through free positioning, gripping force and speed adjustment.

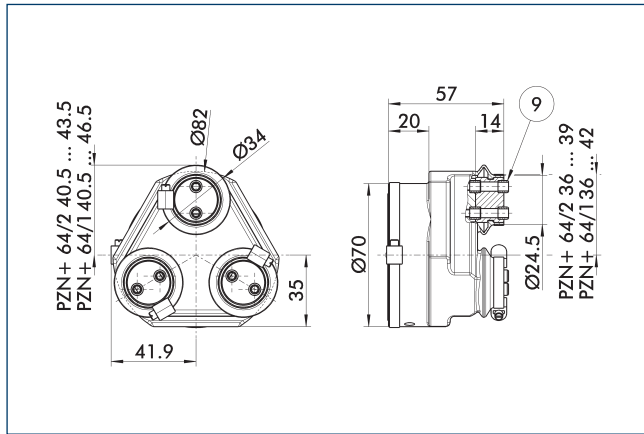
Description	ID	
Pneumatic positioning device		
PPD 20-IOL	1540700	
Adapter		
A GGN0804-1204-A	1540691	
IO-Link connection cable		
KA GGN1205-1212-IOL-00100-A	1540697	
Voltage supply connection cable - cable track compatible		
KA GLN12B05-LK-01000-A	1540660	
Cable extension		
KV GGN0804-I0-00150-A	1540662	
KV GGN0804-I0-00300-A	1540663	
Assembly set		
Assembly set PPD	1540705	

- ① In addition to the PPD, a position sensor (SCHUNK IO-Link sensor or analog sensor (4...20 mA)) is required.

PZN-plus 64

Universal gripper

Protective cover HUE PZN-plus 64



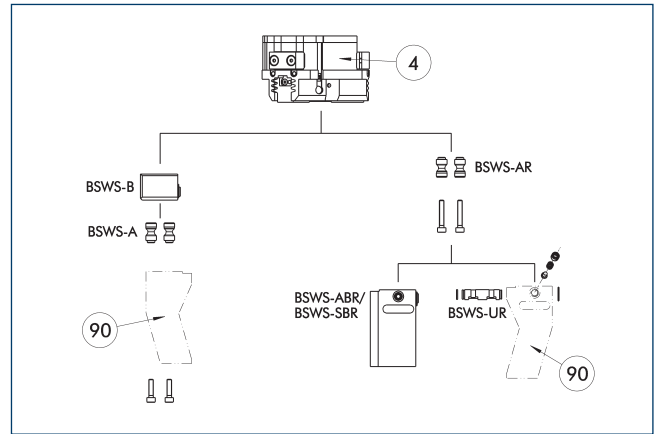
⑨ For mounting screw connection diagram, see basic version

The HUE protective cover fully protects the gripper against external influences. The cover is suitable for applications of up to IP65 if an additional sealing of the cover bottom is provided. For detailed information, please see the HUE series. The connection diagram shifts by the height of the intermediate jaw.

Description	ID	IP protection class
Protection cover		
HUE PZN-plus 64	0303480	65

⑩ An inductive monitoring of the gripper in connection with the protective cover HUE is not possible. SCHUNK recommends the use of magnetic sensors that are approved for the respective gripper version.

BSWS jaw quick-change jaw systems



④ Grippers

⑨⑩ Customized gripper fingers

There are various jaw quick-change systems available for the gripper. For detailed information, please refer to the corresponding product.

Description	ID	Scope of delivery
Jaw quick-change system adapter pin		
BSWS-A 64	0303022	2
BSWS-AR 64	0300092	2
Quick-change jaw system base		
BSWS-B 64	0303023	1
Jaw quick-change system finger blank		
BSWS-ABR-PGZN-plus 64	0300072	1
BSWS-SBR-PGZN-plus 64	0300082	1
Jaw quick-change system locking mechanism		
BSWS-UR 64	0302991	1

⑩ If the operating pressure is higher than 6 bar, suitability for use beyond the application limits must be checked. Only systems that are listed in the table, can be used.

Fields of application

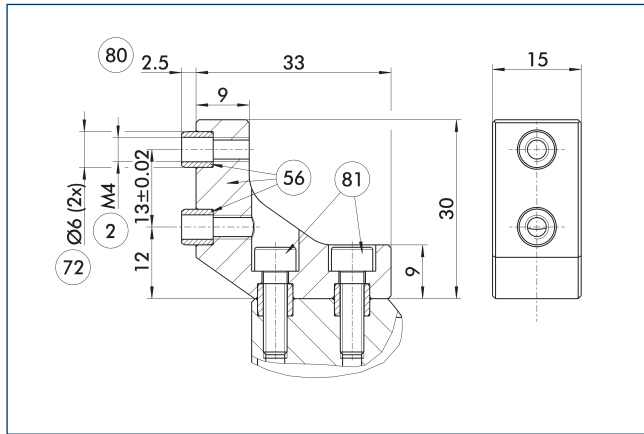
Series	Size	Variant	Suitability
PZN-plus	64	-1 (6 bar)	■■■■■
PZN-plus	64	-1-AS/1-IS (6 bar)	■■■■■
PZN-plus	64	-2 (6 bar)	■■■■■
PZN-plus	64	-2-AS/2-IS (6 bar)	■■■□□
PZN-plus	64	-...-KVZ (6 bar)	■■■□□
Legend			
■■■■■	Can be combined without restrictions		
■■■□□	Use with restrictions (see loading limits)		
□□□□□	cannot be combined		

The load limits for describing the application limits can be found in the catalog chapter of the corresponding accessories.

PZN-plus 64

Universal gripper

ZBA-L-plus 64 intermediate jaws

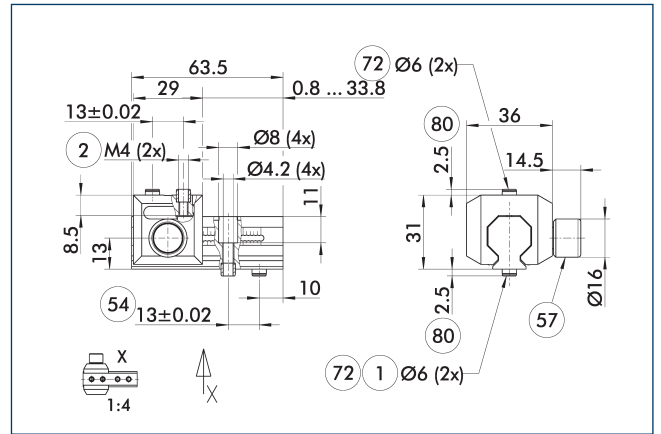


- ② Finger connection
- ⑤⑥ Included in the scope of delivery
- ⑦② Fit for centering sleeves
- ⑧① Depth of the centering sleeve hole in the counter part
- ⑧① Not included in the scope of delivery

The optional ZBA-L-plus intermediate jaws allow the screw connection diagram of the top jaws to be rotated by 90°. This makes it easier to design and produce top jaws (particularly for long versions) because no deep through-bores are required.

Description	ID	Material	Finger interface	Scope of delivery
Intermediate jaw				
ZBA-L-plus 64	0311722	Aluminum	PGN-plus 64	1

UZB 64 universal intermediate jaw



- ① Gripper connection
- ② Finger connection
- ⑤④ Optional right or left connection
- ⑤⑦ Locking
- ⑦② Fit for centering sleeves
- ⑧① Depth of the centering sleeve hole in the counter part

The drawing shows the UZB universal intermediate jaw.

Description	ID	Grid dimension
		[mm]
Universal intermediate jaw		
UZB 64	0300042	1.5
Finger blank		
ABR-PGZN-plus 64	0300010	
SBR-PGZN-plus 64	0300020	

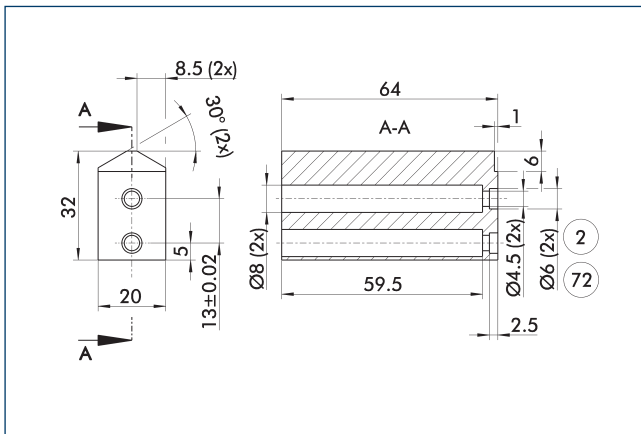
ⓘ If the operating pressure is higher than 6 bar, suitability for use beyond the application limits must be checked.

Fields of application

Series	Size	Variant	Suitability
PZN-plus	64	-1 (6 bar)	■■■■
PZN-plus	64	-1-AS/1-IS (6 bar)	■□□□
PZN-plus	64	-2 (6 bar)	□□□□
PZN-plus	64	-2-AS/2-IS (6 bar)	□□□□
PZN-plus	64	-...-KVZ (6 bar)	□□□□
Legend			
■■■■	Can be combined without restrictions		
■□□□	Use with restrictions (see loading limits)		
□□□□	cannot be combined		

The load limits for describing the application limits can be found in the catalog chapter of the corresponding accessories.

Finger blanks ABR/SBR-PGZN-plus 64



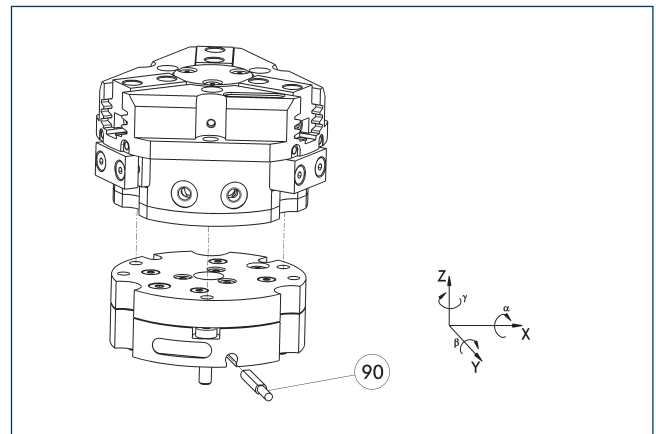
- ② Finger connection
- ⑦② Fit for centering sleeves

The drawing shows the finger blank which can be reworked by the customer.

Description	ID	Material	Scope of delivery
Finger blank			
ABR-PGZN-plus 64	0300010	Aluminum (3.4365)	1
SBR-PGZN-plus 64	0300020	Steel (1.7131)	1

① When finger blanks are used, the closing stroke of individual gripper series may be limited. Please check this in detail in advance using the CAD data and adjust the reworking of the fingers accordingly.

Tolerance compensation unit TCU

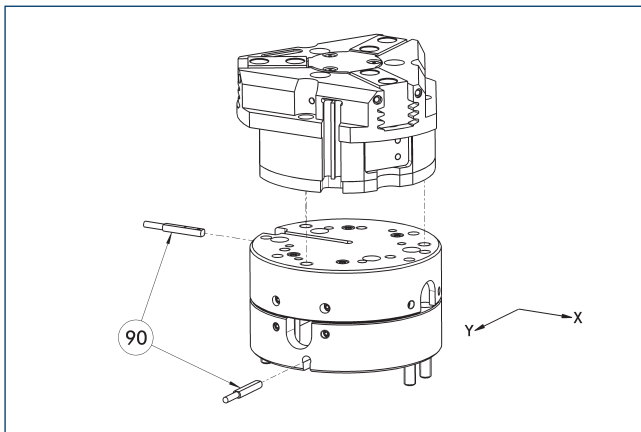


- ⑨⑩ Monitoring of locking

Grippers can be directly mounted without an adapter plate. Tolerance compensation unit and gripper have an identical screw connection diagram. Therefore the tolerance compensation units can be assembled later. Please consider the additional assembly height of the tolerance compensation unit. For details please refer to our catalog robot accessories.

Description	ID	Locking	Deflection	Often combined
Compensation unit				
TCU-Z-064-3-MV	0324766	yes	$\pm 1^\circ / \pm 1^\circ / \pm 1^\circ$	●
TCU-Z-064-3-OV	0324767	no	$\pm 1^\circ / \pm 1^\circ / \pm 1^\circ$	

Compensation unit AGE-F

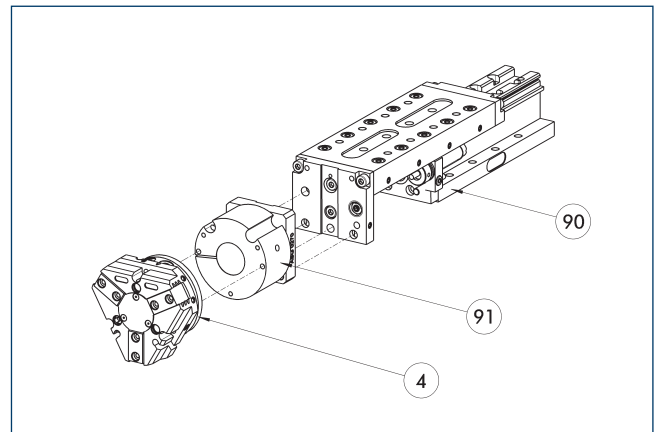


- ⑨⑩ Monitoring

Grippers can be directly mounted without an adapter plate. For details see our catalog Gripping or Robot Accessories.

Description	ID	Compensation XY	Reset force	Often combined
		[mm]	[N]	
Compensation unit				
AGE-F-XY-063-1	0324940	± 4	12	
AGE-F-XY-063-2	0324941	± 4	16	
AGE-F-XY-063-3	0324942	± 4	20	●

Modular Assembly Automation



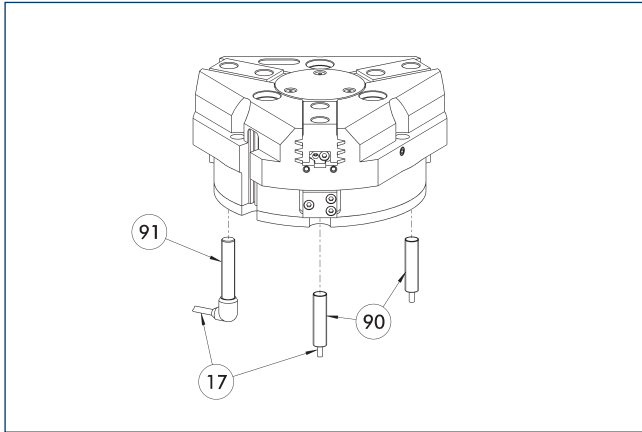
- ④ Grippers
- ⑨⑩ Linear module CLM/KLM/LM/ELP/ELM/ELS/HLM
- ⑨① ASG adapter plate

Grippers and linear modules can be combined with standard adapter plates from the modular assembly system. For more information see our main catalog "Modular Assembly Automation".

PZN-plus 64

Universal gripper

Inductive proximity switches



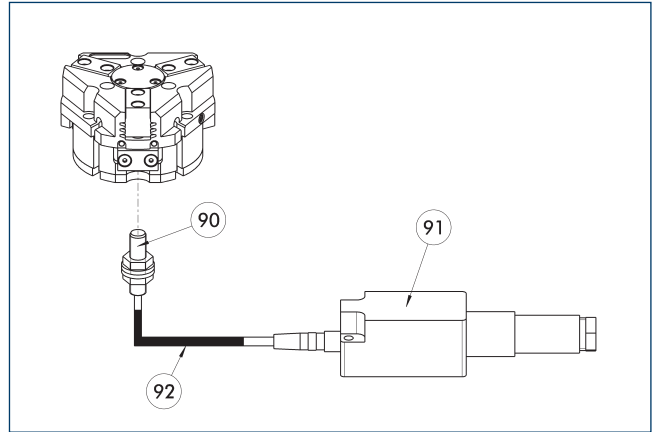
- 17 Cable outlet
- 90 Sensor IN ...
- 91 Sensor IN..-SA

Directly mounted end position monitoring.

Description	ID	Often combined
Inductive proximity switch		
IN 80-S-M12	0301578	
IN 80-S-M8	0301478	●
INK 80-S	0301550	
Inductive proximity switch with lateral cable outlet		
IN 80-S-M12-SA	0301587	
IN 80-S-M8-SA	0301483	●
INK 80-S-SA	0301566	
Connection cables		
KA BG08-L 3P-0300-PNP	0301622	●
KA BG08-L 3P-0500-PNP	0301623	
KA BG12-L 3P-0500-PNP	30016369	
KA BW08-L 3P-0300-PNP	0301594	
KA BW08-L 3P-0500-PNP	0301502	
KA BW12-L 3P-0300-PNP	0301503	
KA BW12-L 3P-0500-PNP	0301507	
Clip for connector/socket		
CLI-M12	0301464	
CLI-M8	0301463	
Cable extension		
KV BG12-SG12 3P-0030-PNP	0301999	
KV BG12-SG12 3P-0060-PNP	0301998	
KV BW08-SG08 3P-0030-PNP	0301495	
KV BW08-SG08 3P-0100-PNP	0301496	
KV BW08-SG08 3P-0200-PNP	0301497	●
KV BW12-SG12 3P-0030-PNP	0301595	
KV BW12-SG12 3P-0100-PNP	0301596	
KV BW12-SG12 3P-0200-PNP	0301597	
Sensor distributor		
V2-M12	0301776	●
V2-M8	0301775	●
V4-M8	0301746	
V8-M8	0301751	

- ① Two sensors are required per unit for monitoring two positions. On option, extension cables and sensor distributors are available. Additional product variants of the sensor, and further information and technical data can be found in the catalog chapter sensor system.

Flexible position sensor



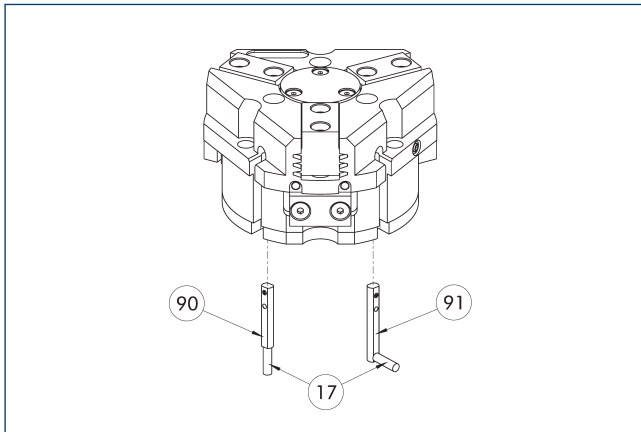
- 90 FPS-S sensor
- 91 FPS-F5 evaluation electronic
- 92 Cable extension

Flexible position monitoring of up to five positions.

Description	ID	
Attachment kit for FPS		
AS-FPS-PGZN-plus 64-1/80-2	0301630	
Sensor		
FPS-S M8	0301704	
Evaluation electronics		
FPS-F5	0301805	
Cable extension		
KV BG08-SG08 3P-0050	0301598	
KV BG08-SG08 3P-0100	0301599	

- ① When using an FPS system, an FPS sensor (FPS-S) as well as an electronic processor (FPS-F5 / F5 T) are required for each gripper as well as a mounting kit (AS), if listed. Cable extensions (KV) are optionally available – see catalog chapter “Accessories.”

Electronic magnetic switch MMS



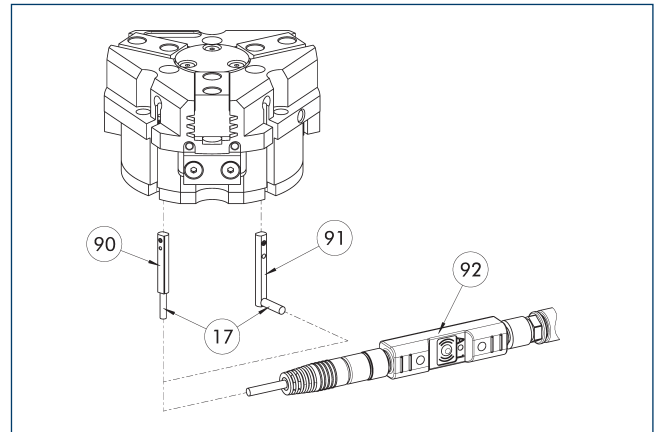
- ①⑦ Cable outlet
- ①⑨ Sensor MMS 22...-SA
- ①⑩ Sensor MMS 22..

End position monitoring for mounting in the C-slot.

Description	ID	Often combined
Electronic magnetic switch		
MMS 22-S-M8-PNP	0301032	●
MMSK 22-S-PNP	0301034	
Electronic magnetic switches with lateral cable outlet		
MMS 22-S-M8-PNP-SA	0301042	●
MMSK 22-S-PNP-SA	0301044	
Connection cables		
KA BG08-L 3P-0300-PNP	0301622	●
KA BG08-L 3P-0500-PNP	0301623	
KA BW08-L 3P-0300-PNP	0301594	
KA BW08-L 3P-0500-PNP	0301502	
Clip for connector/socket		
CLI-M8	0301463	
Cable extension		
KV BW08-SG08 3P-0030-PNP	0301495	
KV BW08-SG08 3P-0100-PNP	0301496	
KV BW08-SG08 3P-0200-PNP	0301497	●
Sensor distributor		
V2-M8	0301775	●
V4-M8	0301746	
V8-M8	0301751	

- ① Two sensors are required per unit for monitoring two positions. On option, extension cables and sensor distributors are available. Additional product variants of the sensor, and further information and technical data can be found in the catalog chapter sensor system.

Programmable magnetic switch MMS 22-PI1



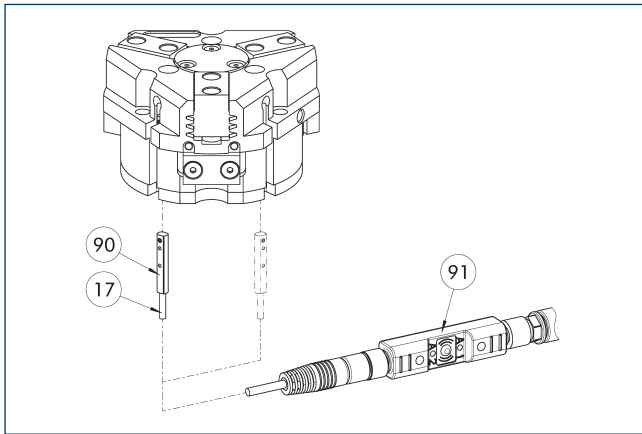
- ①⑦ Cable outlet
- ①⑨ Sensor MMS 22 ..-PI1...-SA
- ①⑩ Sensor MMS 22 PI1-...
- ①⑫ Connector teaching tool ST

Position monitoring with one programmable position per sensor and integrated electronic system in the sensor. Can be programmed using MT magnetic teaching tool (included in the scope of delivery, ID 0301030) or ST plug teaching tool (optional). End position monitoring for mounting in the C-slot. If the ST plug teaching tools are listed in the table provided, teaching is only possible with the ST teaching tools.

Description	ID	Often combined
Programmable magnetic switch		
MMS 22-PI1-S-M8-PNP	0301160	●
MMSK 22-PI1-S-PNP	0301162	
Programmable magnetic switch with lateral cable outlet		
MMS 22-PI1-S-M8-PNP-SA	0301166	●
MMSK 22-PI1-S-PNP-SA	0301168	
Programmable magnetic switch with stainless steel housing		
MMS 22-PI1-S-M8-PNP-HD	0301110	●
MMSK 22-PI1-S-PNP-HD	0301112	
Plug teaching tool		
ST-MMS 22-PI1-PNP	0301025	

- ① Two sensors are required per unit for monitoring two positions. On option, extension cables and sensor distributors are available. Additional product variants of the sensor, and further information and technical data can be found in the catalog chapter sensor system.

Programmable magnetic switch MMS 22-PI2



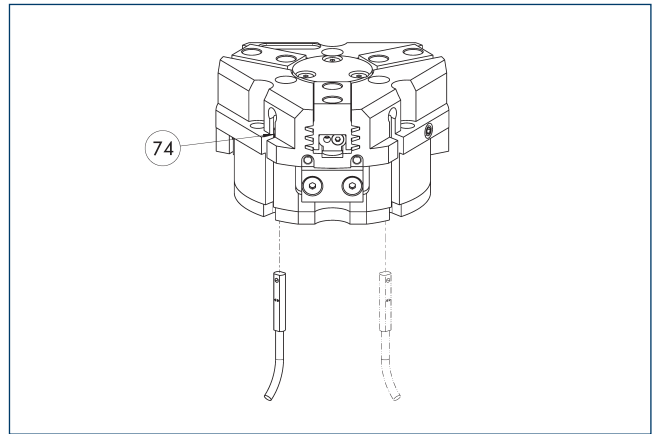
- ①⑦ Cable outlet
- ⑨① Connector teaching tool ST
- ⑨① MMS 22...-PI2-... sensor

Position monitoring with two programmable positions per sensor and electronics integrated in the sensor. Can be programmed using MT magnetic teaching tool (included in the scope of delivery, ID 0301030) or ST plug teaching tool (optional). End position monitoring for mounting in the C-slot. If the ST plug teaching tools are listed in the table provided, teaching is only possible with the ST teaching tools.

Description	ID	Often combined
Programmable magnetic switch		
MMS 22-PI2-S-M8-PNP	0301180	●
MMSK 22-PI2-S-PNP	0301182	
Programmable magnetic switch with lateral cable outlet		
MMS 22-PI2-S-M8-PNP-SA	0301186	●
MMSK 22-PI2-S-PNP-SA	0301188	
Programmable magnetic switch with stainless steel housing		
MMS 22-PI2-S-M8-PNP-HD	0301130	●
MMSK 22-PI2-S-PNP-HD	0301132	
Plug teaching tool		
ST-MMS 22-PI2-PNP	0301026	

- ① One sensor is required per unit for monitoring two positions. Extension cables and sensor distributors are optionally available. Additional product variants of the sensor, and further information and technical data can be found in the catalog chapter sensor systems.

MMS-P programmable magnetic switch



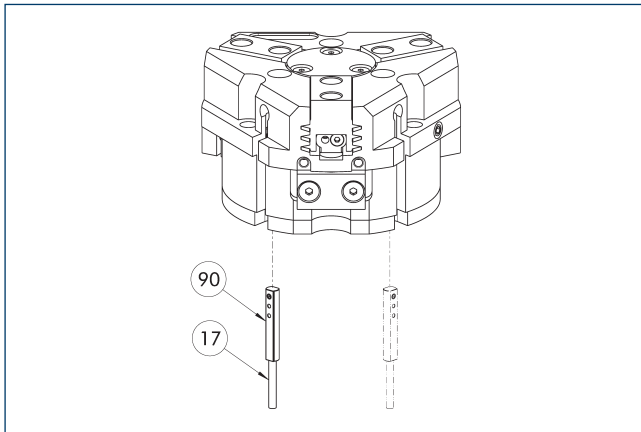
- ①⑦ Limit stop for sensor

Position monitoring with two programmable positions per sensor. End position monitoring for mounting in the C-slot.

Description	ID	Often combined
Programmable magnetic switch		
MMSK-P 22-S-PNP	0301371	
MMS-P 22-S-M8-PNP	0301370	●
Connection cables		
KA GLN0804-LK-00500-A	0307767	●
KA GLN0804-LK-01000-A	0307768	
KA WLN0804-LK-00500-A	0307765	
KA WLN0804-LK-01000-A	0307766	
Clip for connector/socket		
CLI-M8	0301463	
Sensor distributor		
V2-M8-4P-2XM8-3P	0301380	

- ① One sensor is required per unit for monitoring two positions. Extension cables and sensor distributors are optionally available. Additional product variants of the sensor, and further information and technical data can be found in the catalog chapter sensor systems.

Programmable magnetic switch MMS-IO-Link



17 Cable outlet

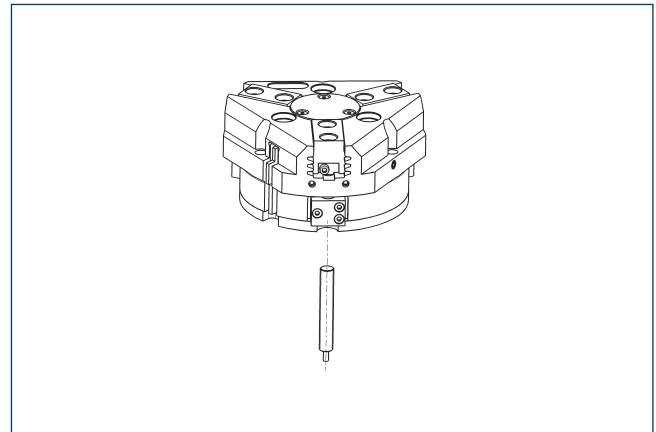
90 Sensor MMS 22-IO-Link...

Sensor for multi-position monitoring through detection of the complete gripper stroke. The sensor is mounted directly in the C-slot of the gripper. The sensor is programmed for the gripper via the IO-Link interface or the ST plug teaching tool (not included in scope of delivery; ID 0301026). It is not possible to program the sensor using the Magnet teaching tool MT. An IO-Link master is required for operation.

Description	ID	
Programmable magnetic switch		
MMS 22-IO-Link-M08	0315830	
MMS 22-IO-Link-M12	0315835	

① One sensor is required for each gripper. No additional mounting kit is required – the gripper is equipped for use of the sensor by default. Further information and technical data can be found in the catalog chapter sensor systems.

APS-Z80 analog position sensor

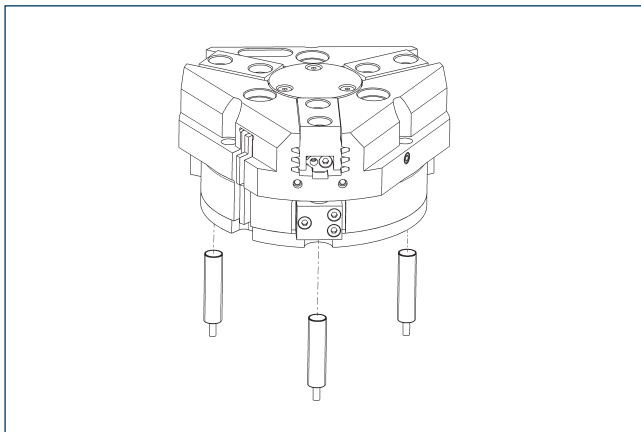


Non-contact measuring, analog multi-position monitoring for any number of positions.

Description	ID	Often combined
Mounting kit for APS-Z80		
AS-APS-Z80-PGZN-plus 64-1	0302105	
AS-APS-Z80-PGZN-plus 64-2	0302106	
Analog position sensor		
APS-Z80-K	0302072	
APS-Z80-M8	0302070	●

① When using an APS system, one mounting kit (AS-APS-Z80) and one APS-Z80 sensor is required per gripper. The resolution of the sensor can be lower in the peripheral areas of the gripper. You can find further information on the product in the operating manual.

Cylindrical reed switches



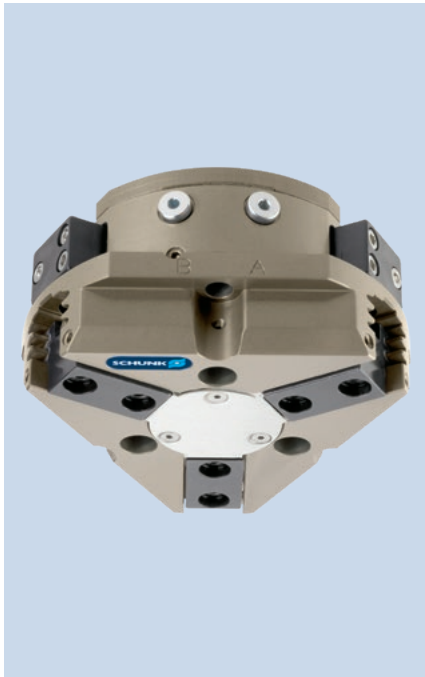
End position monitoring can be mounted with an attachment kit.

Description	ID	
Attachment kit for proximity switch		
AS-RMS 80 PGN/PZN-plus 64/80	0377725	
Reed Switches		
RMS 80-S-M8	0377721	

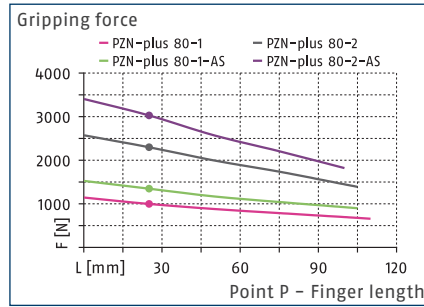
① Two sensors (closer/S) are required for each unit and extension cables are available as an option. This attachment kit needs to be ordered optionally as an accessory. Two mounting kits are required for each gripper. For sensor cables, note the minimum permissible bending radii. These are generally 35 mm.

PZN-plus 80

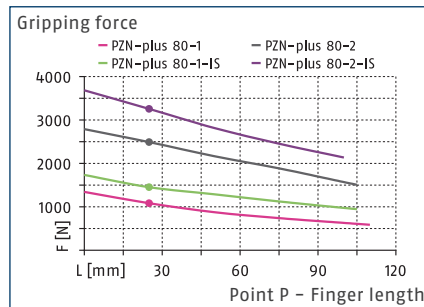
Universal gripper



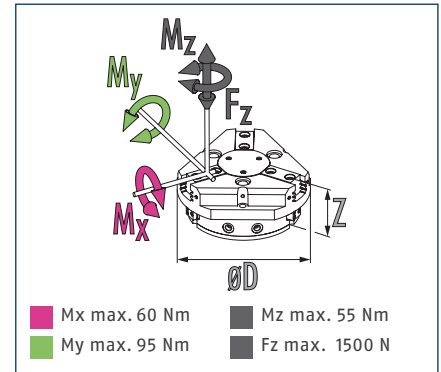
Gripping force O.D. gripping



Gripping force I.D. gripping



Dimensions and maximum loads



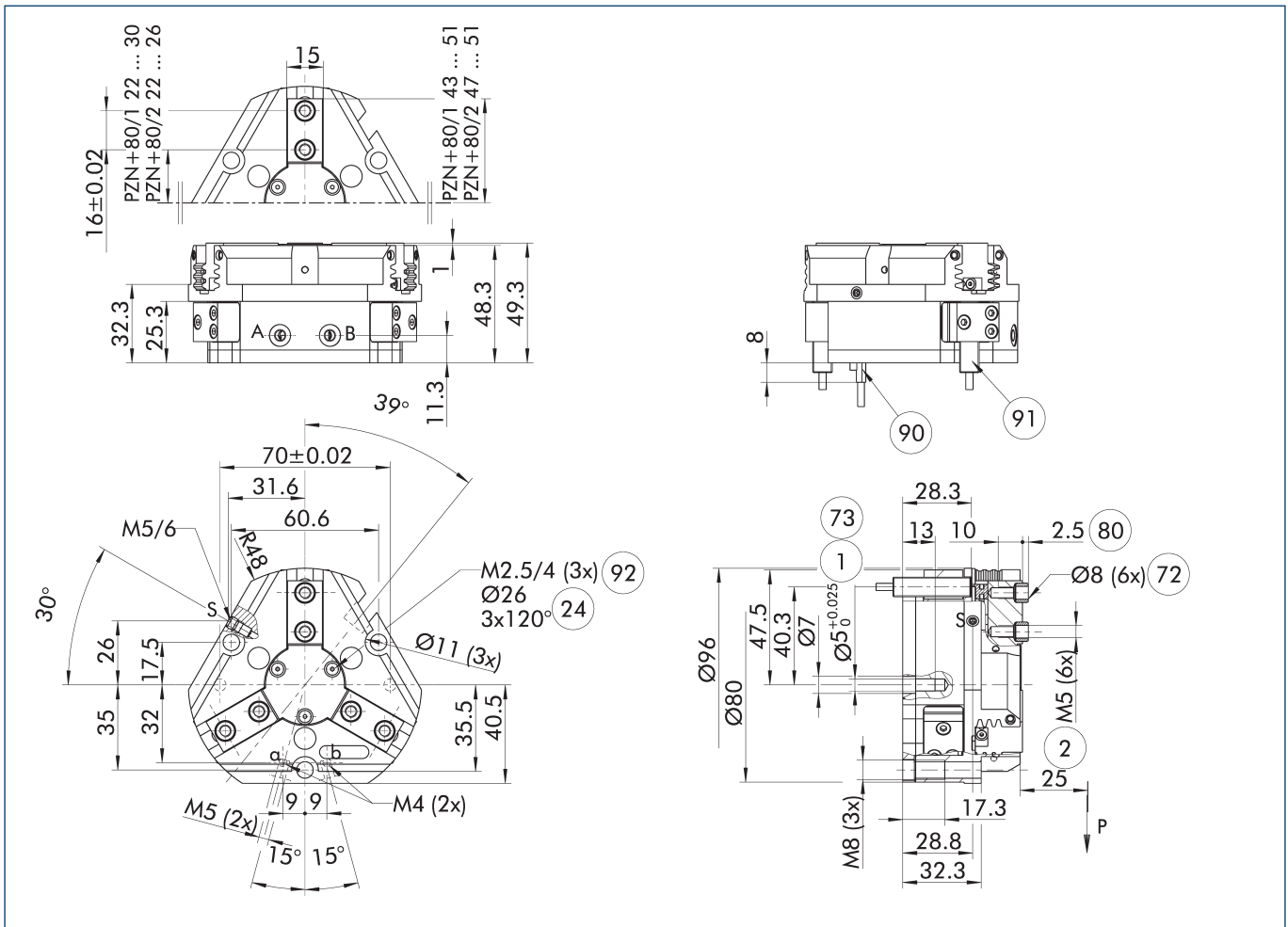
① The indicated moments and forces are static values, apply for each base jaw and may appear simultaneously. Loads may additionally occur to the moment produced by the gripping force itself.

Technical data

Description		PZN-plus 80-1	PZN-plus 80-2	PZN-plus 80-1-AS	PZN-plus 80-2-AS	PZN-plus 80-1-IS	PZN-plus 80-2-IS
ID		0303311	0303411	0303511	0303611	0303541	0303641
Stroke per jaw	[mm]	8	4	8	4	8	4
Closing/opening force	[N]	1000/1080	2300/2490	1350/-	3030/-	-/1450	-/3250
Min. spring force	[N]			350	730	370	760
Weight	[kg]	0.79	0.79	0.96	0.96	0.96	0.96
Recommended workpiece weight	[kg]	5	11.5	5	11.5	5	11.5
Cylinder volume per double stroke	[cm ³]	60	60	108	108	108	108
Min./nom./max. operating pressure	[bar]	2/6/8	2/6/8	4/6/6.5	4/6/6.5	4/6/6.5	4/6/6.5
Min./max. air purge pressure	[bar]	0.5/1	0.5/1	0.5/1	0.5/1	0.5/1	0.5/1
Closing/opening time	[s]	0.05/0.05	0.05/0.05	0.03/0.05	0.03/0.05	0.06/0.04	0.06/0.04
Closing/opening time with spring	[s]			0.19	0.19	0.19	0.19
Max. permissible finger length	[mm]	110	105	105	100	105	100
Max. permissible weight per finger	[kg]	0.6	0.6	0.6	0.6	0.6	0.6
IP protection class		40	40	40	40	40	40
Min./max. ambient temperature	[°C]	5/90	5/90	5/90	5/90	5/90	5/90
Repeat accuracy	[mm]	0.01	0.01	0.01	0.01	0.01	0.01
Dimensions Ø D x Z	[mm]	96 x 49.3	96 x 49.3	96 x 64.3	96 x 64.3	96 x 64.3	96 x 64.3
Options and their characteristics							
Dustproof version		37303311	37303411	37303511	37303611	37303541	37303641
IP protection class		64	64	64	64	64	64
Weight	[kg]	1	1	1.17	1.17	1.17	1.17
Corrosion-protected version		38303311	38303411	38303511	38303611	38303541	38303641
High-temperature version		39303311	39303411	39303511	39303611	39303541	39303641
Min./max. ambient temperature	[°C]	5/130	5/130	5/130	5/130	5/130	5/130
Power booster version		0372202	0372212	0372222		0372242	
Closing/opening force	[N]	1654/1685	3866/4182	1971/-		-/2032	
Weight	[kg]	1.2	1.2	1.4		1.4	
Maximum pressure	[bar]	6	6	6		6	
Max. permissible finger length	[mm]	100	80	80		80	
Precision version		0303341	0303441	0303491	0303591		

① It may take a few 100 gripping cycles until the full gripping force (as indicated in the data table) will be available.

Main view



The drawing shows the gripper in the basic version with closed jaws, without dimensional consideration of the options described below.

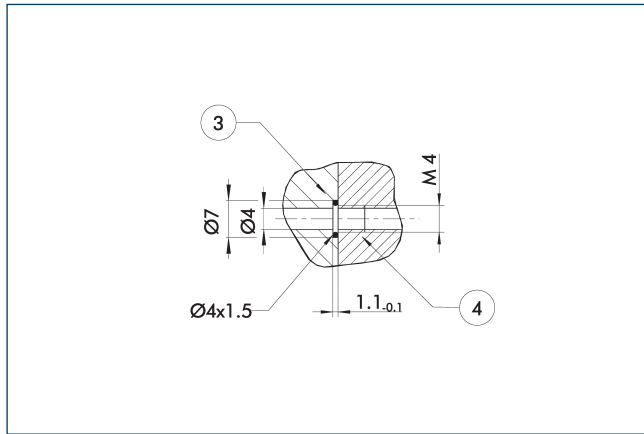
① As an alternative/in addition to spring-assisted mechanical gripping force maintenance, the SDV-P pressure maintenance valve can be used for I.D. and O.D. gripping (see "Accessories" section of catalog).

- | | |
|--|--|
| A, a Main / direct connection, gripper opening | ⑦② Fit for centering sleeves |
| B, b Main / direct connection, gripper closing | ⑦③ Fit for centering pins |
| S Air purge connection | ⑧① Depth of the centering sleeve hole in the counter part |
| ① Gripper connection | ⑨① Sensor MMS 22.. |
| ② Finger connection | ⑨② Thread below the cover for fastening external attachments |
| ②④ Bolt circle | |

PZN-plus 80

Universal gripper

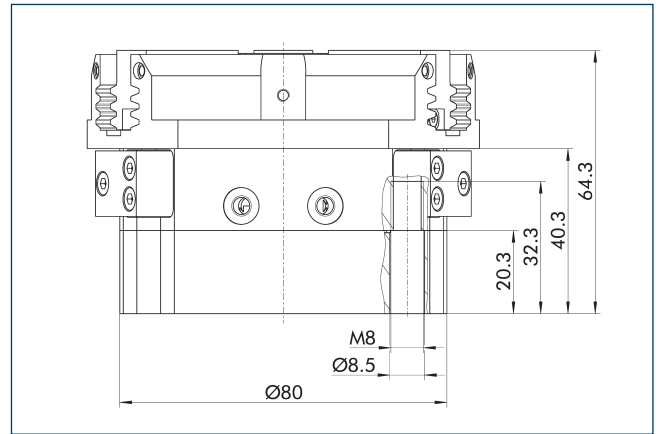
Hose-free direct connection M4



- ③ Adapter
- ④ Grippers

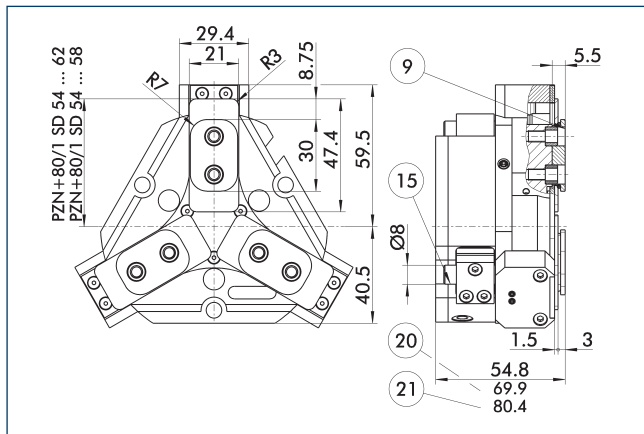
The direct connection is used for supplying compressed air without hoses. Instead, the pressure medium is fed through bore-holes in the mounting plate.

Gripping force maintenance version AS/IS



The mechanical gripping force maintenance device ensures that a minimum clamping force will be applied even if there is a drop in pressure. In the AS/IS variant this acts as a closing force, in the IS variant as an opening force. Besides this, gripping force maintenance can be used to increase gripping force or for single actuated gripping.

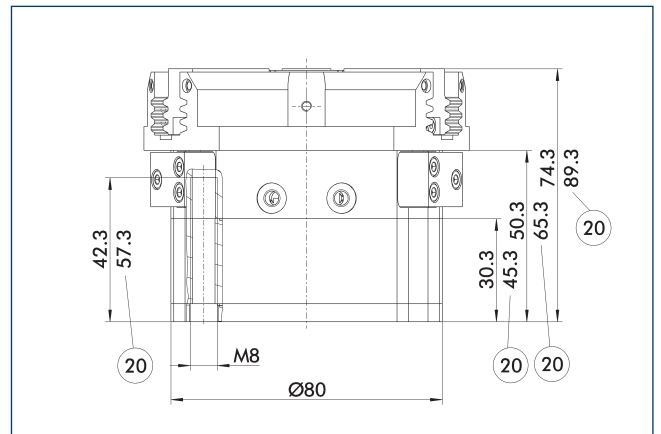
Dustproof version



- ⑨ For mounting screw connection
- ⑩ For version AS/IS diagram, see basic version
- ⑪ Sealing bolt
- ⑫ Applies for KVZ version

The "dustproof" option increases the degree of protection against penetrating substances. The assembly diagram shifts by the height of the intermediate jaw. The finger length is still measured from the upper edge of the gripper housing.

Power booster version



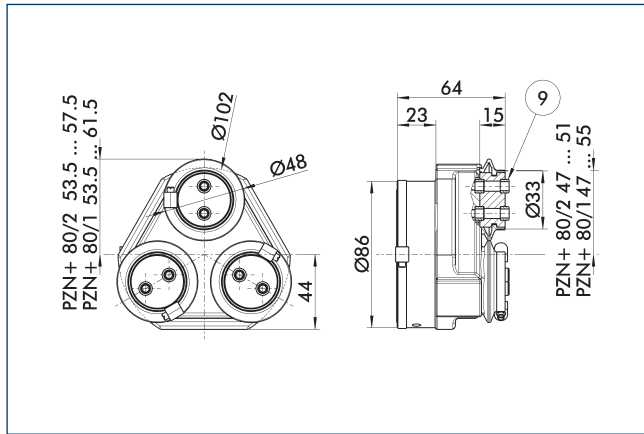
- ⑫ For version AS/IS

The KVZ cylinder increases the gripping forces during opening and closing. A second, in series-connected piston also increases the force on the wedge hook. Please consider that grippers which are equipped with a gripping force maintenance device are higher.

PZN-plus 80

Universal gripper

Protective cover HUE PZN-plus 80



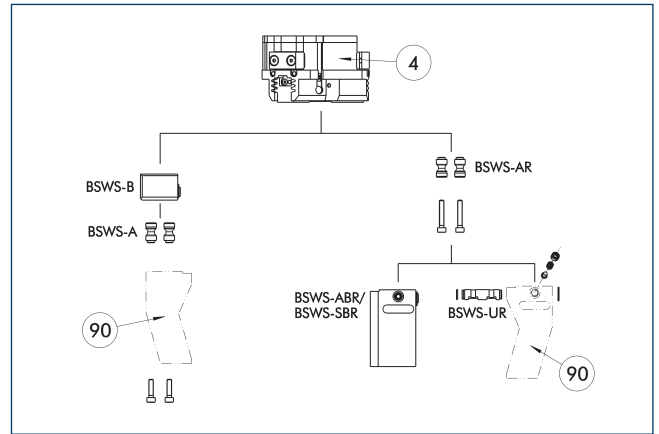
⑨ For mounting screw connection diagram, see basic version

The HUE protective cover fully protects the gripper against external influences. The cover is suitable for applications of up to IP65 if an additional sealing of the cover bottom is provided. For detailed information, please see the HUE series. The connection diagram shifts by the height of the intermediate jaw.

Description	ID	IP protection class
Protection cover		
HUE PZN-plus 80	0303481	65

⑩ An inductive monitoring of the gripper in connection with the protective cover HUE is not possible. SCHUNK recommends the use of magnetic sensors that are approved for the respective gripper version.

BSWS jaw quick-change jaw systems



④ Grippers

⑨⑩ Customized gripper fingers

There are various jaw quick-change systems available for the gripper. For detailed information, please refer to the corresponding product.

Description	ID	Scope of delivery
Jaw quick-change system adapter pin		
BSWS-A 80	0303024	2
BSWS-AR 80	0300093	2
Quick-change jaw system base		
BSWS-B 80	0303025	1
Jaw quick-change system finger blank		
BSWS-ABR-PGZN-plus 80	0300073	1
BSWS-SBR-PGZN-plus 80	0300083	1
Jaw quick-change system locking mechanism		
BSWS-UR 80	0302992	1

④ If the operating pressure is higher than 6 bar, suitability for use beyond the application limits must be checked. Only systems that are listed in the table, can be used.

Fields of application

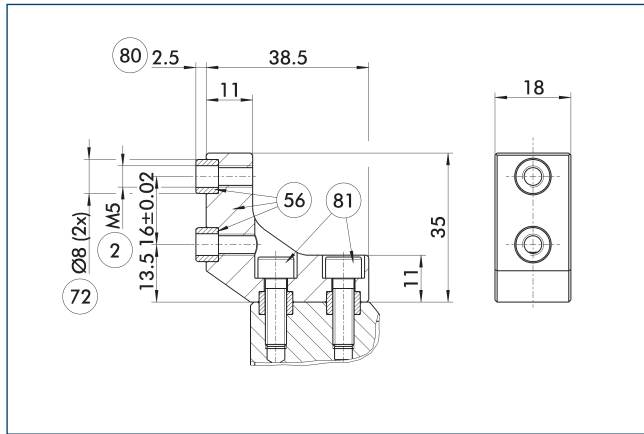
Series	Size	Variant	Suitability
PZN-plus	80	-1 (6 bar)	■■■■■
PZN-plus	80	-1-AS/1-IS (6 bar)	■■■■■
PZN-plus	80	-2 (6 bar)	■■■■■
PZN-plus	80	-2-AS/2-IS (6 bar)	■■■□□
PZN-plus	80	-...-KVZ (6 bar)	■■■□□
Legend			
■■■■■	Can be combined without restrictions		
■■■□□	Use with restrictions (see loading limits)		
□□□□□	cannot be combined		

The load limits for describing the application limits can be found in the catalog chapter of the corresponding accessories.

PZN-plus 80

Universal gripper

ZBA-L-plus 80 intermediate jaws

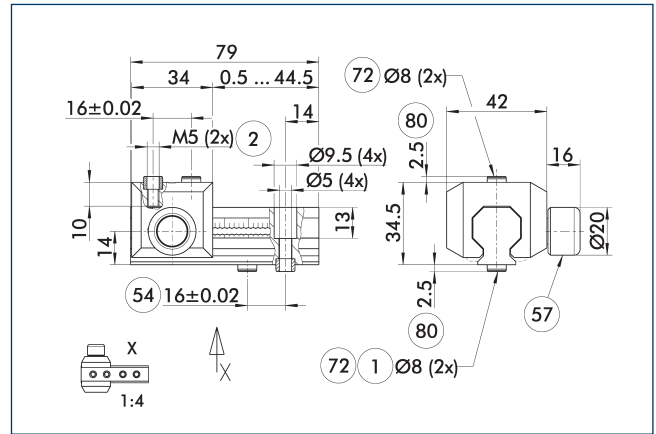


- ② Finger connection
- ⑤⑥ Included in the scope of delivery
- ⑦② Fit for centering sleeves
- ⑧① Depth of the centering sleeve hole in the counter part
- ⑧① Not included in the scope of delivery

The optional ZBA-L-plus intermediate jaws allow the screw connection diagram of the top jaws to be rotated by 90°. This makes it easier to design and produce top jaws (particularly for long versions) because no deep through-bores are required.

Description	ID	Material	Finger interface	Scope of delivery
Intermediate jaw				
ZBA-L-plus 80	0311732	Aluminum	PGN-plus 80	1

UZB 80 universal intermediate jaw



- ① Gripper connection
- ② Finger connection
- ⑤④ Optional right or left connection
- ⑤⑦ Locking
- ⑦② Fit for centering sleeves
- ⑧① Depth of the centering sleeve hole in the counter part

The drawing shows the UZB universal intermediate jaw. The fully removable UZB-S slide (can also be ordered separately) allows for a quick jaw change.

Description	ID	Grid dimension
		[mm]
Universal intermediate jaw		
UZB 80	0300043	2
Finger blank		
ABR-PGZN-plus 80	0300011	
SBR-PGZN-plus 80	0300021	
Slide for universal intermediate jaw		
UZB-S 80	5518271	2

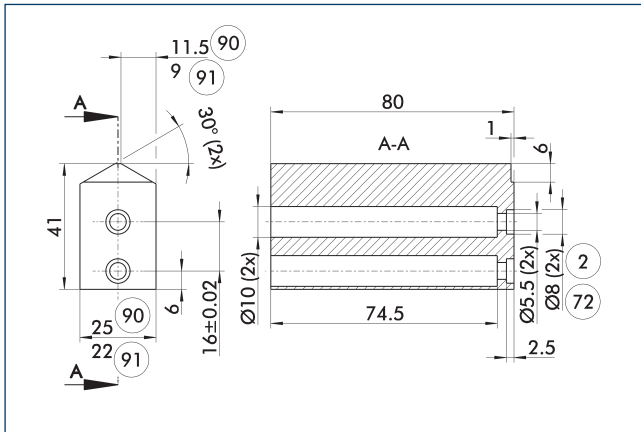
ⓘ If the operating pressure is higher than 6 bar, suitability for use beyond the application limits must be checked.

Fields of application

Series	Size	Variant	Suitability
PZN-plus	80	-1 (6 bar)	■■■■■
PZN-plus	80	-1-AS/1-IS (6 bar)	■■■□□
PZN-plus	80	-2 (6 bar)	□□□□
PZN-plus	80	-2-AS/2-IS (6 bar)	□□□□
PZN-plus	80	-...-KVZ (6 bar)	□□□□
Legend			
■■■■■	Can be combined without restrictions		
■■■□□	Use with restrictions (see loading limits)		
□□□□	cannot be combined		

The load limits for describing the application limits can be found in the catalog chapter of the corresponding accessories.

Finger blanks ABR/SBR-PGZN-plus 80



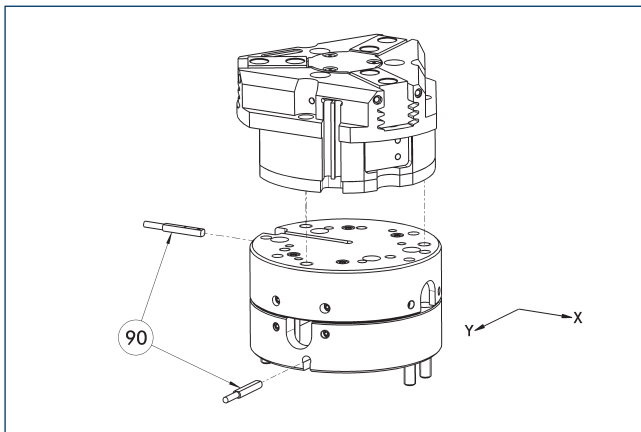
- ② Finger connection
- ⑦② Fit for centering sleeves
- ⑨① ABR-PGZN-plus
- ⑨② SBR-PGZN-plus

The drawing shows the finger blank which can be reworked by the customer.

Description	ID	Material	Scope of delivery
Finger blank			
ABR-PGZN-plus 80	0300011	Aluminum (3.4365)	1
SBR-PGZN-plus 80	0300021	Steel (1.7131)	1

ⓘ When finger blanks are used, the closing stroke of individual gripper series may be limited. Please check this in detail in advance using the CAD data and adjust the reworking of the fingers accordingly.

Compensation unit AGE-F

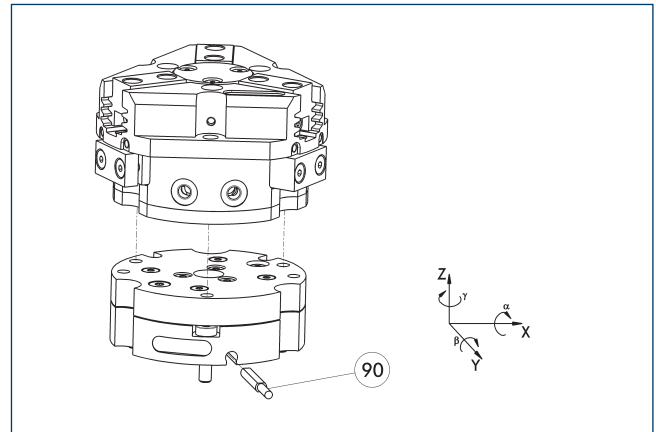


- ⑨① Monitoring

Grippers can be directly mounted without an adapter plate. For details see our catalog Gripping or Robot Accessories.

Description	ID	Compensation XY	Reset force	Often combined
		[mm]	[N]	
Compensation unit				
AGE-F-XY-063-1	0324940	± 4	12	
AGE-F-XY-063-2	0324941	± 4	16	
AGE-F-XY-063-3	0324942	± 4	20	●

Tolerance compensation unit TCU

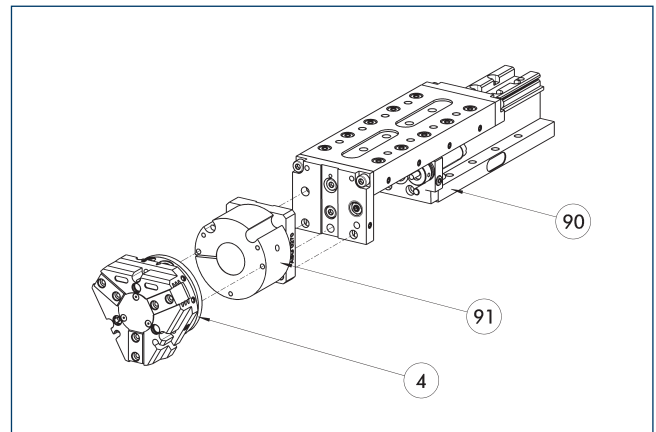


- ⑨① Monitoring of locking

Grippers can be directly mounted without an adapter plate. Tolerance compensation unit and gripper have an identical screw connection diagram. Therefore the tolerance compensation units can be assembled later. Please consider the additional assembly height of the tolerance compensation unit. For details please refer to our catalog robot accessories.

Description	ID	Locking	Deflection	Often combined
Compensation unit				
TCU-Z-080-3-MV	0324784	yes	±1°/±1°/±1°	●
TCU-Z-080-3-OV	0324785	no	±1°/±1°/±1°	

Modular Assembly Automation



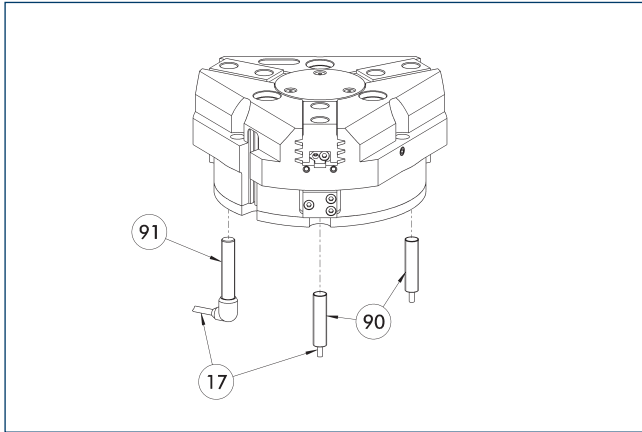
- ④ Grippers
- ⑨① Linear module CLM/KLM/LM/ELP/ELM/ELS/HLM
- ⑨② ASG adapter plate

Grippers and linear modules can be combined with standard adapter plates from the modular assembly system. For more information see our main catalog "Modular Assembly Automation".

PZN-plus 80

Universal gripper

Inductive proximity switches



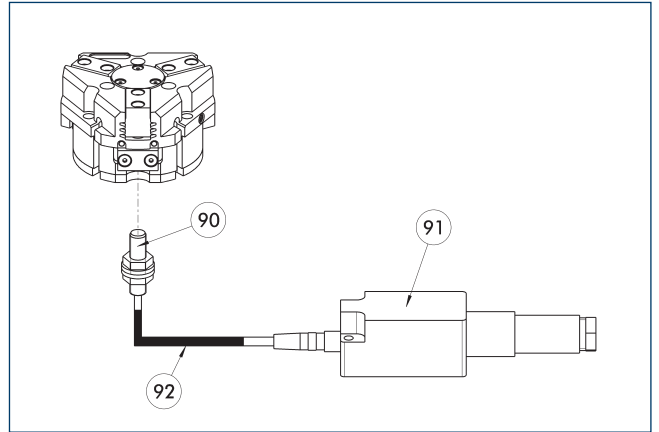
- 17 Cable outlet
- 90 Sensor IN ...
- 91 Sensor IN..-SA

Directly mounted end position monitoring.

Description	ID	Often combined
Inductive proximity switch		
IN 80-S-M12	0301578	
IN 80-S-M8	0301478	●
INK 80-S	0301550	
Inductive proximity switch with lateral cable outlet		
IN 80-S-M12-SA	0301587	
IN 80-S-M8-SA	0301483	●
INK 80-S-SA	0301566	
Connection cables		
KA BG08-L 3P-0300-PNP	0301622	●
KA BG08-L 3P-0500-PNP	0301623	
KA BG12-L 3P-0500-PNP	30016369	
KA BW08-L 3P-0300-PNP	0301594	
KA BW08-L 3P-0500-PNP	0301502	
KA BW12-L 3P-0300-PNP	0301503	
KA BW12-L 3P-0500-PNP	0301507	
Clip for connector/socket		
CLI-M12	0301464	
CLI-M8	0301463	
Cable extension		
KV BG12-SG12 3P-0030-PNP	0301999	
KV BG12-SG12 3P-0060-PNP	0301998	
KV BW08-SG08 3P-0030-PNP	0301495	
KV BW08-SG08 3P-0100-PNP	0301496	
KV BW08-SG08 3P-0200-PNP	0301497	●
KV BW12-SG12 3P-0030-PNP	0301595	
KV BW12-SG12 3P-0100-PNP	0301596	
KV BW12-SG12 3P-0200-PNP	0301597	
Sensor distributor		
V2-M12	0301776	●
V2-M8	0301775	●
V4-M8	0301746	
V8-M8	0301751	

- ① Two sensors are required per unit for monitoring two positions. On option, extension cables and sensor distributors are available. Additional product variants of the sensor, and further information and technical data can be found in the catalog chapter sensor system.

Flexible position sensor



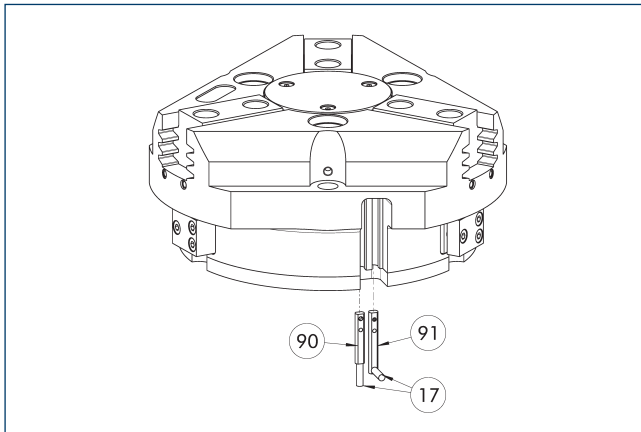
- 90 FPS-S sensor
- 91 FPS-F5 evaluation electronic
- 92 Cable extension

Flexible position monitoring of up to five positions.

Description	ID	
Attachment kit for FPS		
AS-FPS-PGZN-plus 64-1/80-2	0301630	
AS-FPS-PGZN-plus 80-1/PZB 80/PZB 100	0301632	
Sensor		
FPS-S M8	0301704	
Evaluation electronics		
FPS-F5	0301805	
Cable extension		
KV BG08-SG08 3P-0050	0301598	
KV BG08-SG08 3P-0100	0301599	

- ① When using an FPS system, an FPS sensor (FPS-S) as well as an electronic processor (FPS-F5 / F5 T) are required for each gripper as well as a mounting kit (AS), if listed. Cable extensions (KV) are optionally available – see catalog chapter “Accessories.”

Electronic magnetic switch MMS



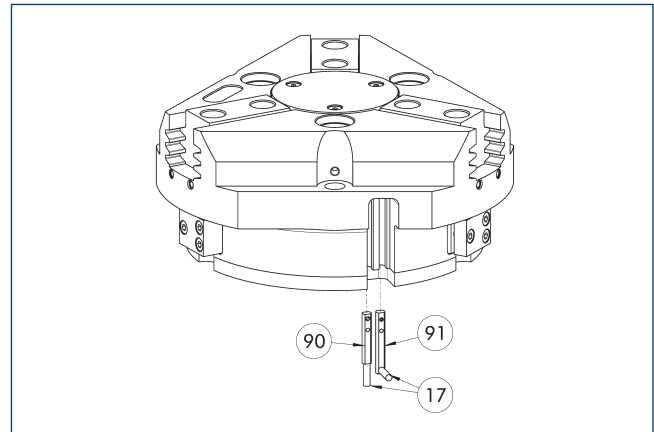
- ⑰ Cable outlet
- ① Sensor MMS 22...-SA
- ⑨ Sensor MMS 22..

End position monitoring for mounting in the C-slot.

Description	ID	Often combined
Electronic magnetic switch		
MMS 22-S-M8-PNP	0301032	●
MMSK 22-S-PNP	0301034	
Electronic magnetic switches with lateral cable outlet		
MMS 22-S-M8-PNP-SA	0301042	●
MMSK 22-S-PNP-SA	0301044	
Connection cables		
KA BG08-L 3P-0300-PNP	0301622	●
KA BG08-L 3P-0500-PNP	0301623	
KA BW08-L 3P-0300-PNP	0301594	
KA BW08-L 3P-0500-PNP	0301502	
Clip for connector/socket		
CLI-M8	0301463	
Cable extension		
KV BW08-SG08 3P-0030-PNP	0301495	
KV BW08-SG08 3P-0100-PNP	0301496	
KV BW08-SG08 3P-0200-PNP	0301497	●
Sensor distributor		
V2-M8	0301775	●
V4-M8	0301746	
V8-M8	0301751	

- ① Two sensors are required per unit for monitoring two positions. On option, extension cables and sensor distributors are available. Additional product variants of the sensor, and further information and technical data can be found in the catalog chapter sensor system.

Programmable magnetic switch MMS 22-PI1



- ⑰ Cable outlet
- ① Sensor MMS 22 ..-PI1...-SA
- ⑨ Sensor MMS 22 PI1...

Position monitoring with one programmable position per sensor and integrated electronic system in the sensor. Can be programmed using MT magnetic teaching tool (included in the scope of delivery, ID 0301030) or ST plug teaching tool (optional). End position monitoring for mounting in the C-slot. If the ST plug teaching tools are listed in the table provided, teaching is only possible with the ST teaching tools.

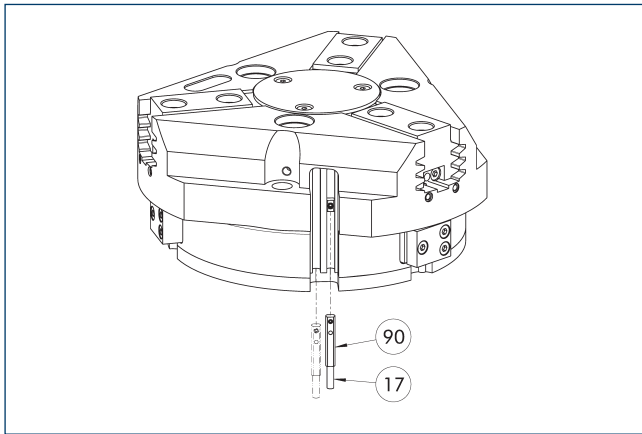
Description	ID	Often combined
Programmable magnetic switch		
MMS 22-PI1-S-M8-PNP	0301160	●
MMSK 22-PI1-S-PNP	0301162	
Programmable magnetic switch with lateral cable outlet		
MMS 22-PI1-S-M8-PNP-SA	0301166	●
MMSK 22-PI1-S-PNP-SA	0301168	
Programmable magnetic switch with stainless steel housing		
MMS 22-PI1-S-M8-PNP-HD	0301110	●
MMSK 22-PI1-S-PNP-HD	0301112	

- ① Two sensors are required per unit for monitoring two positions. On option, extension cables and sensor distributors are available. Additional product variants of the sensor, and further information and technical data can be found in the catalog chapter sensor system.

PZN-plus 80

Universal gripper

Programmable magnetic switch MMS 22-PI2



17 Cable outlet

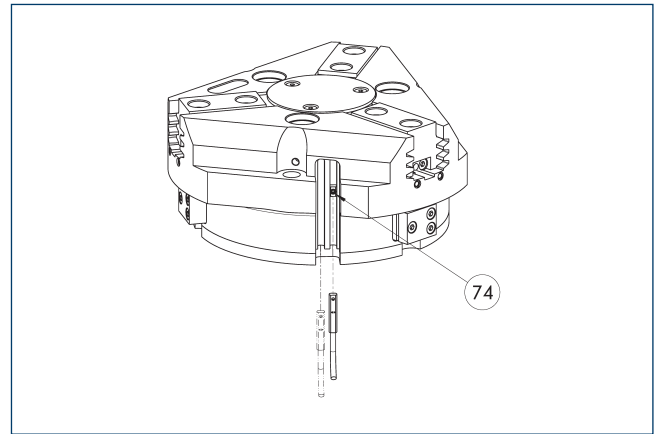
90 MMS 22...-PI2-... sensor

Position monitoring with two programmable positions per sensor and electronics integrated in the sensor. Can be programmed using MT magnetic teaching tool (included in the scope of delivery, ID 0301030) or ST plug teaching tool (optional). End position monitoring for mounting in the C-slot. If the ST plug teaching tools are listed in the table provided, teaching is only possible with the ST teaching tools.

Description	ID	Often combined
Programmable magnetic switch		
MMS 22-PI2-S-M8-PNP	0301180	●
MMSK 22-PI2-S-PNP	0301182	
Programmable magnetic switch with lateral cable outlet		
MMS 22-PI2-S-M8-PNP-SA	0301186	●
MMSK 22-PI2-S-PNP-SA	0301188	
Programmable magnetic switch with stainless steel housing		
MMS 22-PI2-S-M8-PNP-HD	0301130	●
MMSK 22-PI2-S-PNP-HD	0301132	

- ① One sensor is required per unit for monitoring two positions. Extension cables and sensor distributors are optionally available. Additional product variants of the sensor, and further information and technical data can be found in the catalog chapter sensor systems.

MMS-P programmable magnetic switch



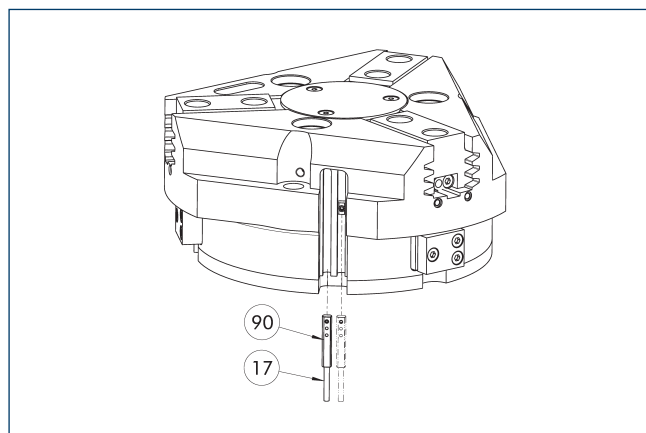
74 Limit stop for sensor

Position monitoring with two programmable positions per sensor. End position monitoring for mounting in the C-slot.

Description	ID	Often combined
Programmable magnetic switch		
MMSK-P 22-S-PNP	0301371	
MMS-P 22-S-M8-PNP	0301370	●
Connection cables		
KA GLN0804-LK-00500-A	0307767	●
KA GLN0804-LK-01000-A	0307768	
KA WLN0804-LK-00500-A	0307765	
KA WLN0804-LK-01000-A	0307766	
Clip for connector/socket		
CLI-M8	0301463	
Sensor distributor		
V2-M8-4P-2XM8-3P	0301380	

- ① One sensor is required per unit for monitoring two positions. Extension cables and sensor distributors are optionally available. Additional product variants of the sensor, and further information and technical data can be found in the catalog chapter sensor systems.

Programmable magnetic switch MMS-IO-Link



17 Cable outlet

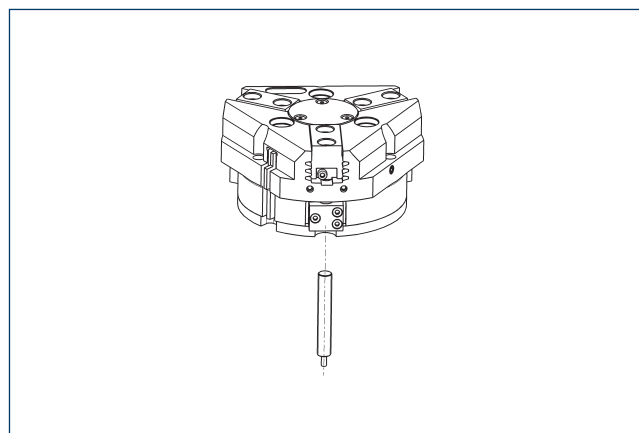
90 Sensor MMS 22-IOL-...

Sensor for multi-position monitoring through detection of the complete gripper stroke. The sensor is mounted directly in the C-slot of the gripper. The sensor is programmed for the gripper via the IO-Link interface, Magnet teaching tool MT (included in scope of delivery; ID 0301030) or the ST plug teaching tool (not included in scope of delivery; ID 0301026). An IO-Link master is required for operation.

Description	ID	
Programmable magnetic switch		
MMS 22-IOL-M08	0315830	
MMS 22-IOL-M12	0315835	

- ① One sensor is required for each gripper. No additional mounting kit is required – the gripper is equipped for use of the sensor by default. Further information and technical data can be found in the catalog chapter sensor systems.

APS-Z80 analog position sensor

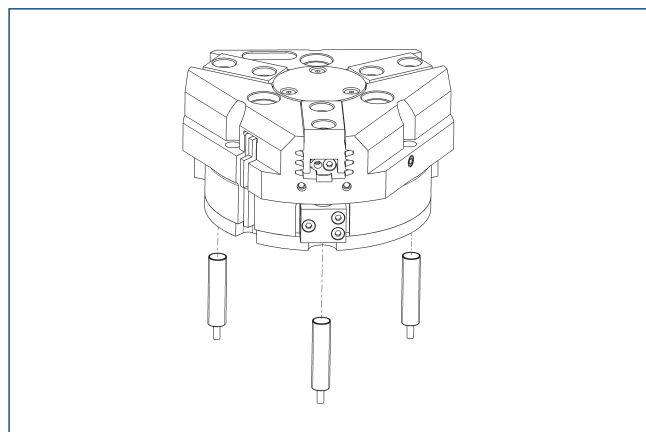


Non-contact measuring, analog multi-position monitoring for any number of positions.

Description	ID	Often combined
Mounting kit for APS-Z80		
AS-APS-Z80-PGZN-plus 80-1	0302107	
AS-APS-Z80-PGZN-plus 80-2	0302108	
Analog position sensor		
APS-Z80-K	0302072	
APS-Z80-M8	0302070	●

- ① When using an APS system, one mounting kit (AS-APS-Z80) and one APS-Z80 sensor is required per gripper. The resolution of the sensor can be lower in the peripheral areas of the gripper. You can find further information on the product in the operating manual.

Cylindrical reed switches



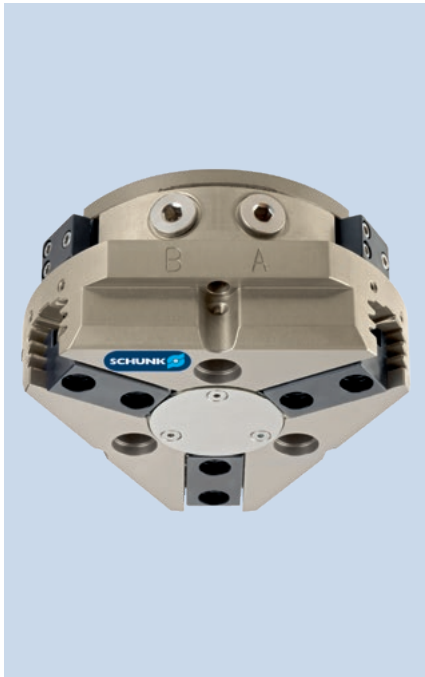
End position monitoring can be mounted with an attachment kit.

Description	ID	
Attachment kit for proximity switch		
AS-RMS 80 PGN/PZN-plus 64/80	0377725	
Reed Switches		
RMS 80-S-M8	0377721	

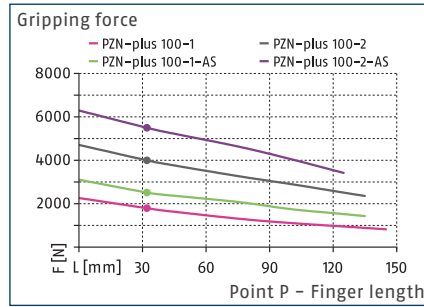
- ① Two sensors (closer/S) are required for each unit and extension cables are available as an option. This attachment kit needs to be ordered optionally as an accessory. Two mounting kits are required for each gripper. For sensor cables, note the minimum permissible bending radii. These are generally 35 mm.

PZN-plus 100

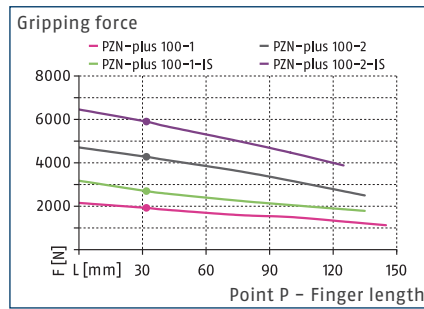
Universal gripper



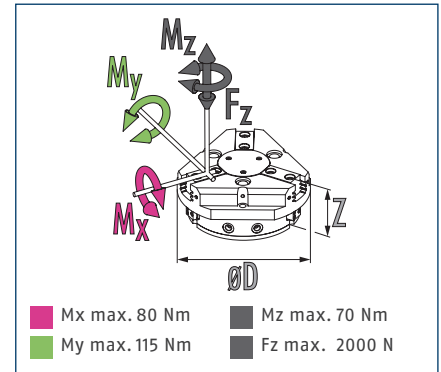
Gripping force O.D. gripping



Gripping force I.D. gripping



Dimensions and maximum loads



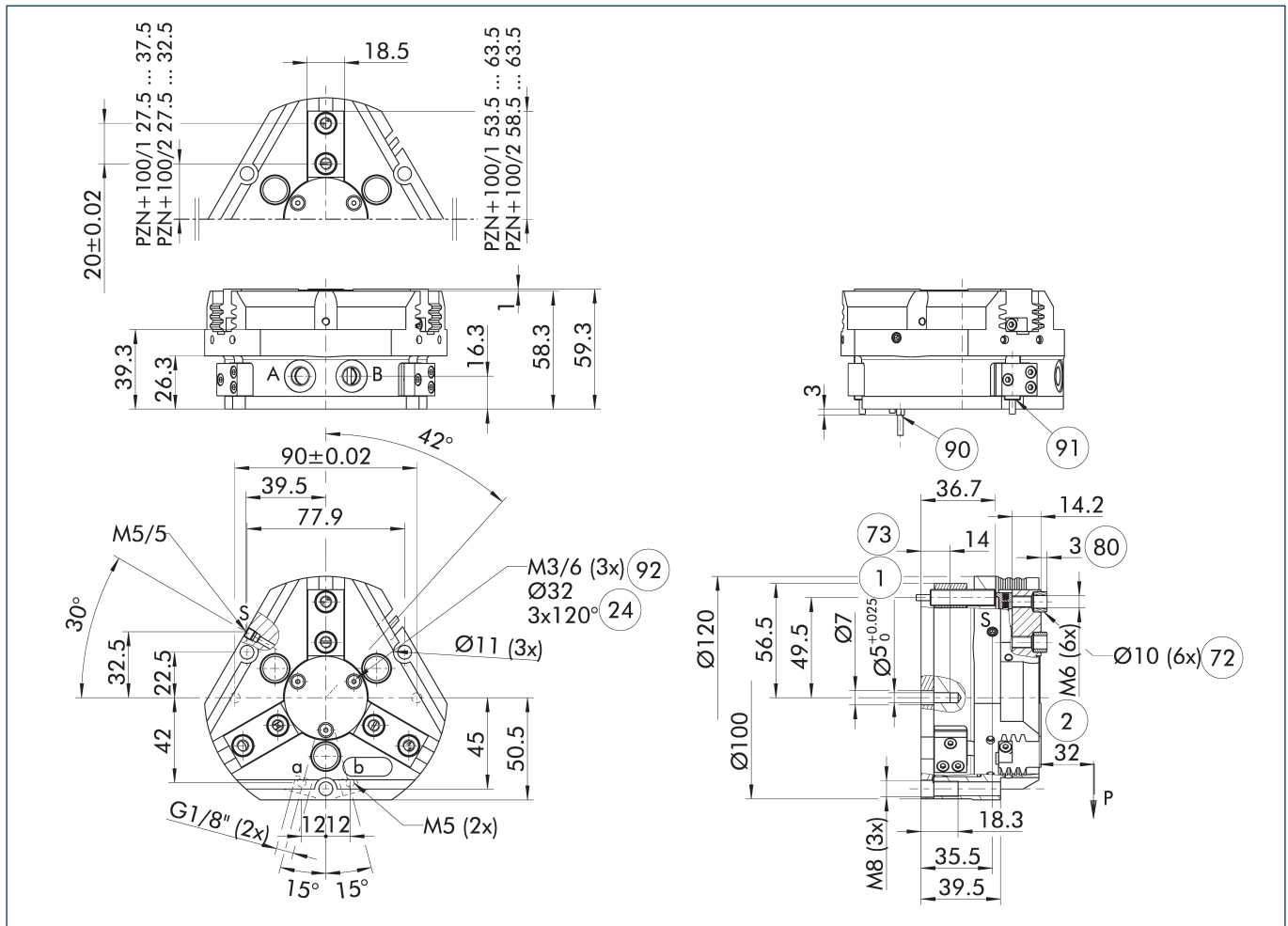
① The indicated moments and forces are static values, apply for each base jaw and may appear simultaneously. Loads may additionally occur to the moment produced by the gripping force itself.

Technical data

Description		PZN-plus 100-1	PZN-plus 100-2	PZN-plus 100-1-AS	PZN-plus 100-2-AS	PZN-plus 100-1-IS	PZN-plus 100-2-IS
ID		0303312	0303412	0303512	0303612	0303542	0303642
Stroke per jaw	[mm]	10	5	10	5	10	5
Closing/opening force	[N]	1800/1920	4000/4280	2520/-	5500/-	-/2700	-/5900
Min. spring force	[N]			720	1500	780	1620
Weight	[kg]	1.41	1.41	1.95	1.95	1.95	1.95
Recommended workpiece weight	[kg]	9	20	9	20	9	20
Cylinder volume per double stroke	[cm³]	120	120	210	210	210	210
Min./nom./max. operating pressure	[bar]	2/6/8	2/6/8	4/6/6.5	4/6/6.5	4/6/6.5	4/6/6.5
Min./max. air purge pressure	[bar]	0.5/1	0.5/1	0.5/1	0.5/1	0.5/1	0.5/1
Closing/opening time	[s]	0.1/0.1	0.1/0.1	0.1/0.2	0.1/0.2	0.2/0.1	0.2/0.1
Closing/opening time with spring	[s]			0.25	0.25	0.25	0.25
Max. permissible finger length	[mm]	145	135	135	125	135	125
Max. permissible weight per finger	[kg]	1.1	1.1	1.1	1.1	1.1	1.1
IP protection class		40	40	40	40	40	40
Min./max. ambient temperature	[°C]	5/90	5/90	5/90	5/90	5/90	5/90
Repeat accuracy	[mm]	0.01	0.01	0.01	0.01	0.01	0.01
Dimensions Ø D x Z	[mm]	120 x 59.3	120 x 59.3	120 x 79.3	120 x 79.3	120 x 79.3	120 x 79.3
Options and their characteristics							
Dustproof version		37303312	37303412	37303512	37303612	37303542	37303642
IP protection class		64	64	64	64	64	64
Weight	[kg]	1.9	1.9	2.44	2.44	2.44	2.44
Corrosion-protected version		38303312	38303412	38303512	38303612	38303542	38303642
High-temperature version		39303312	39303412	39303512	39303612	39303542	39303642
Min./max. ambient temperature	[°C]	5/130	5/130	5/130	5/130	5/130	5/130
Power booster version		0372203	0372213	0372223		0372243	
Closing/opening force	[N]	2774/3222	6493/7274	3372/-		-/3755	
Weight	[kg]	2.3	2.3	2.7		2.7	
Maximum pressure	[bar]	6	6	6		6	
Max. permissible finger length	[mm]	100	80	80		80	
Precision version		0303342	0303442	0303492	0303592		

① It may take a few 100 gripping cycles until the full gripping force (as indicated in the data table) will be available.

Main view



The drawing shows the gripper in the basic version with closed jaws, without dimensional consideration of the options described below.

① As an alternative/in addition to spring-assisted mechanical gripping force maintenance, the SDV-P pressure maintenance valve can be used for I.D. and O.D. gripping (see "Accessories" section of catalog).

A, a Main / direct connection, gripper opening

B, b Main / direct connection, gripper closing

S Air purge connection

① Gripper connection

② Finger connection

②④ Bolt circle

⑦② Fit for centering sleeves

⑦③ Fit for centering pins

⑧① Depth of the centering sleeve hole in the counter part

⑨① Sensor MMS 22..

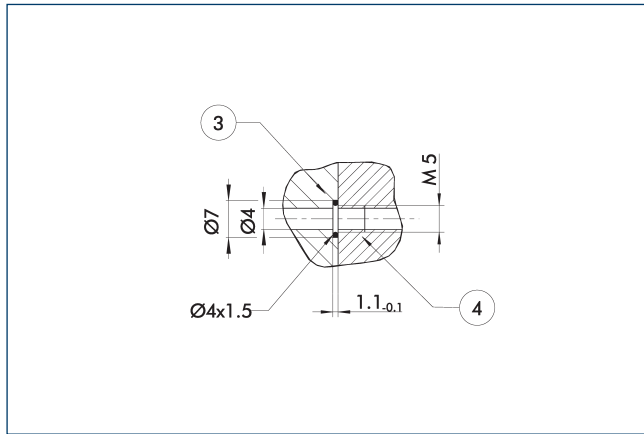
⑨① Sensor IN ...

⑨② Thread below the cover for fastening external attachments

PZN-plus 100

Universal gripper

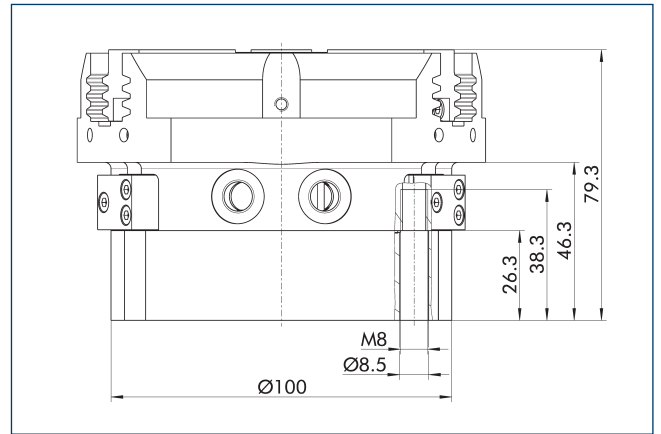
Hose-free direct connection M5



- ③ Adapter
- ④ Grippers

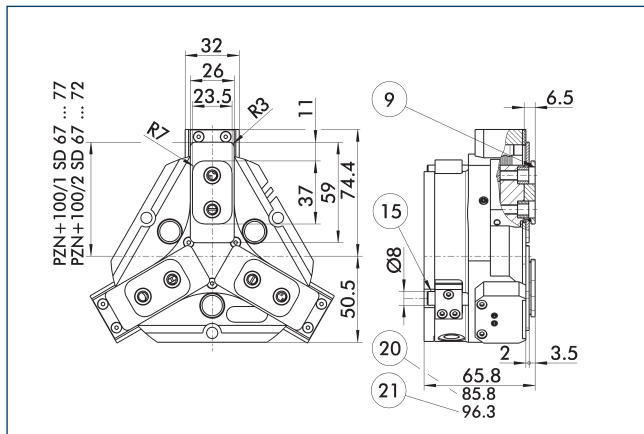
The direct connection is used for supplying compressed air without hoses. Instead, the pressure medium is fed through bore-holes in the mounting plate.

Gripping force maintenance version AS/IS



The mechanical gripping force maintenance device ensures that a minimum clamping force will be applied even if there is a drop in pressure. In the AS/IS variant this acts as a closing force, in the IS variant as an opening force. Besides this, gripping force maintenance can be used to increase gripping force or for single actuated gripping.

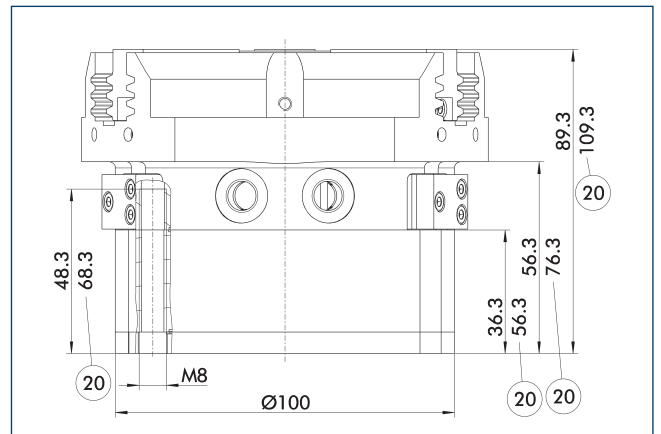
Dustproof version



- ⑨ For mounting screw connection
- ⑩ For version AS/IS diagram, see basic version
- ⑮ Sealing bolt
- ⑰ Applies for KVZ version

The "dustproof" option increases the degree of protection against penetrating substances. The assembly diagram shifts by the height of the intermediate jaw. The finger length is still measured from the upper edge of the gripper housing.

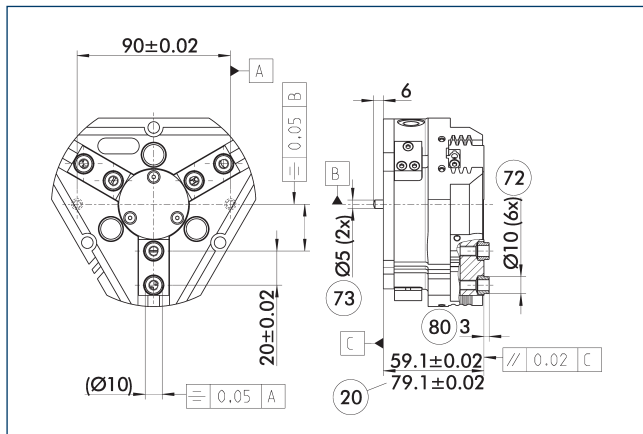
Power booster version



- ⑳ For version AS/IS

The KVZ cylinder increases the gripping forces during opening and closing. A second, in series-connected piston also increases the force on the wedge hook. Please consider that grippers which are equipped with a gripping force maintenance device are higher.

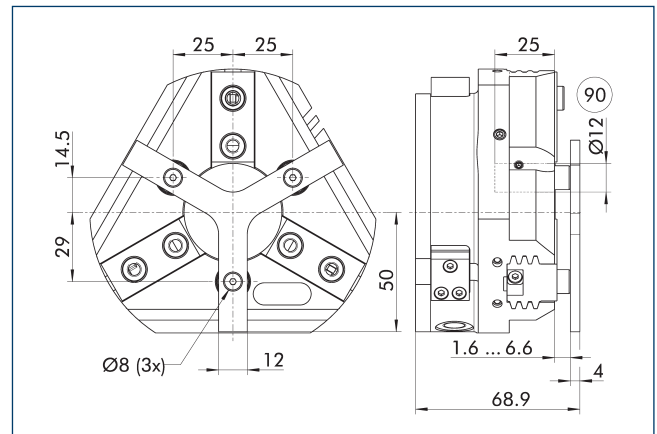
Precision version



- ②0 For version AS/IS
- ⑦2 Fit for centering sleeves
- ⑦3 Fit for centering pins
- ⑧0 Depth of the centering sleeve hole in the counter part

The indicated tolerances just refer to the variants of precision versions shown in the chart of technical specifications. All other variants of precision versions are available on request.

Spring-loaded pressure piece



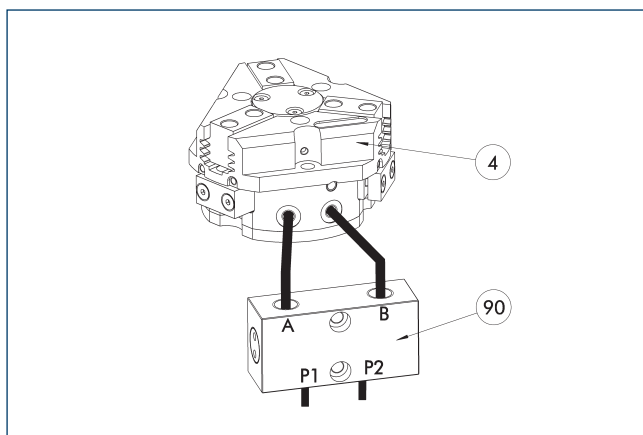
- ⑨0 Guide pin

For spring-supported positioning of the workpiece against a stop after the gripper has opened. Especially developed for loading machines.

Description	ID	Stroke [mm]	Min. force [N]
Spring-loaded pressure piece			
A-PZN-plus/DPZ-plus 100	0303722	5	35

- ⓘ The pressure piece cannot be combined with the dustproof option. Please contact us if you require a customized pressure piece.

SDV-P pressure maintenance valve



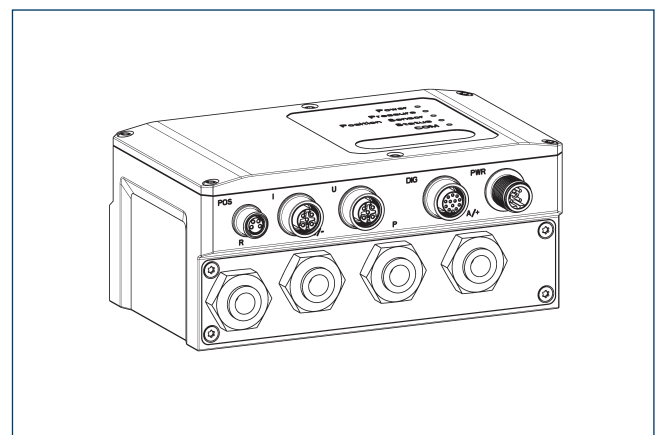
- ④ Grippers
- ⑨0 SDV-P pressure maintenance valve

The SDV-P pressure maintenance valve ensures in emergency STOP situations that the pressure in the piston chamber of pneumatic gripper, swivel, linear, and quick-change modules is temporarily maintained.

Description	ID	Recommended hose diameter [mm]
Pressure maintenance valve		
SDV-P 07	0403131	8
Pressure maintenance valve with air bleed screw		
SDV-P 07-E	0300121	8

- ⓘ In order to achieve the specified closing and opening time for each gripper variant, the recommended hose diameter must be used. The direct allocation of the respective variant of the gripper for the respective SDV-P can be found at schunk.com.

Pneumatic positioning device PPD



The PPD allows flexibility in all applications with pneumatic grippers through free positioning, gripping force and speed adjustment.

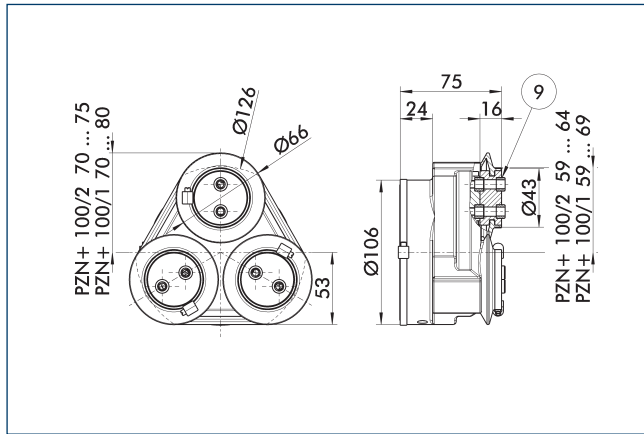
Description	ID	
Pneumatic positioning device		
PPD 20-IOL	1540700	
Adapter		
A GGN0804-1204-A	1540691	
IO-Link connection cable		
KA GGN1205-1212-IOL-00100-A	1540697	
Voltage supply connection cable - cable track compatible		
KA GLN12B05-LK-01000-A	1540660	
Cable extension		
KV GGN0804-I0-00150-A	1540662	
KV GGN0804-I0-00300-A	1540663	
Assembly set		
Assembly set PPD	1540705	

- ⓘ In addition to the PPD, a position sensor (SCHUNK IO-Link sensor or analog sensor (4...20 mA)) is required.

PZN-plus 100

Universal gripper

Protective cover HUE PZN-plus 100



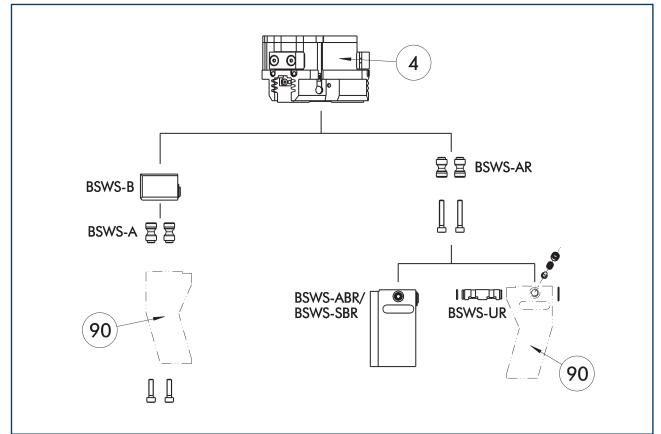
⑨ For mounting screw connection diagram, see basic version

The HUE protective cover fully protects the gripper against external influences. The cover is suitable for applications of up to IP65 if an additional sealing of the cover bottom is provided. For detailed information, please see the HUE series. The connection diagram shifts by the height of the intermediate jaw.

Description	ID	IP protection class
Protection cover		
HUE PZN-plus 100	0303482	65

① An inductive monitoring of the gripper in connection with the protective cover HUE is not possible. SCHUNK recommends the use of magnetic sensors that are approved for the respective gripper version.

BSWS jaw quick-change jaw systems



④ Grippers

⑨ Customized gripper fingers

There are various jaw quick-change systems available for the gripper. For detailed information, please refer to the corresponding product.

Description	ID	Scope of delivery
Jaw quick-change system adapter pin		
BSWS-A 100	0303026	2
BSWS-AR 100	0300094	2
Quick-change jaw system base		
BSWS-B 100	0303027	1
Jaw quick-change system finger blank		
BSWS-ABR-PGZN-plus 100	0300074	1
BSWS-SBR-PGZN-plus 100	0300084	1
Jaw quick-change system locking mechanism		
BSWS-UR 100	0302993	1

① If the operating pressure is higher than 6 bar, suitability for use beyond the application limits must be checked. Only systems that are listed in the table, can be used.

Fields of application

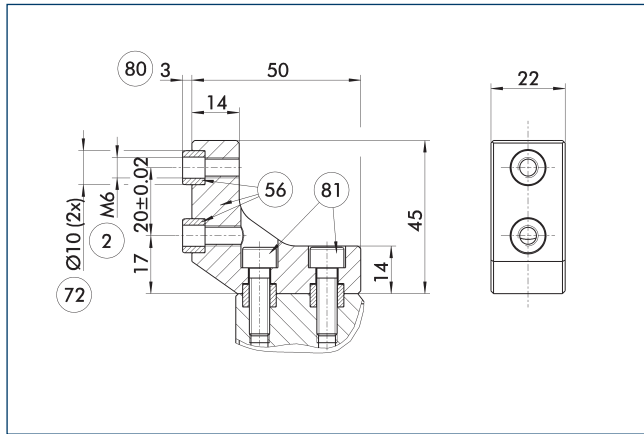
Series	Size	Variant	Suitability
PZN-plus	100	-1 (6 bar)	■■■■■
PZN-plus	100	-1-AS/1-IS (6 bar)	■■■■■
PZN-plus	100	-2 (6 bar)	■■■□
PZN-plus	100	-2-AS/2-IS (6 bar)	■■■□
PZN-plus	100	-...-KVZ (6 bar)	■■■□
Legend			
■■■■■	Can be combined without restrictions		
■■■□	Use with restrictions (see loading limits)		
□□□□	cannot be combined		

The load limits for describing the application limits can be found in the catalog chapter of the corresponding accessories.

PZN-plus 100

Universal gripper

ZBA-L-plus 100 intermediate jaws

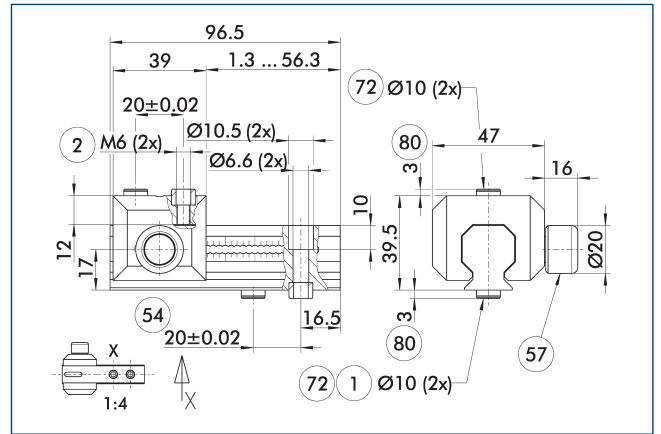


- ② Finger connection
- ⑤⑥ Included in the scope of delivery
- ⑦② Fit for centering sleeves
- ⑧⑩ Depth of the centering sleeve hole in the counter part
- ⑧① Not included in the scope of delivery

The optional ZBA-L-plus intermediate jaws allow the screw connection diagram of the top jaws to be rotated by 90°. This makes it easier to design and produce top jaws (particularly for long versions) because no deep through-bores are required.

Description	ID	Material	Finger interface	Scope of delivery
Intermediate jaw				
ZBA-L-plus 100	0311742	Aluminum	PGN-plus 100	1

UZB 100 universal intermediate jaw



- ① Gripper connection
- ② Finger connection
- ⑤④ Optional right or left connection
- ⑤⑦ Locking
- ⑦② Fit for centering sleeves
- ⑧⑩ Depth of the centering sleeve hole in the counter part

The drawing shows the UZB universal intermediate jaw. The fully removable UZB-S slide (can also be ordered separately) allows for a quick jaw change.

Description	ID	Grid dimension
		[mm]
Universal intermediate jaw		
UZB 100	0300044	2.5
Finger blank		
ABR-PGZN-plus 100	0300012	
SBR-PGZN-plus 100	0300022	
Slide for universal intermediate jaw		
UZB-S 100	5518272	2.5

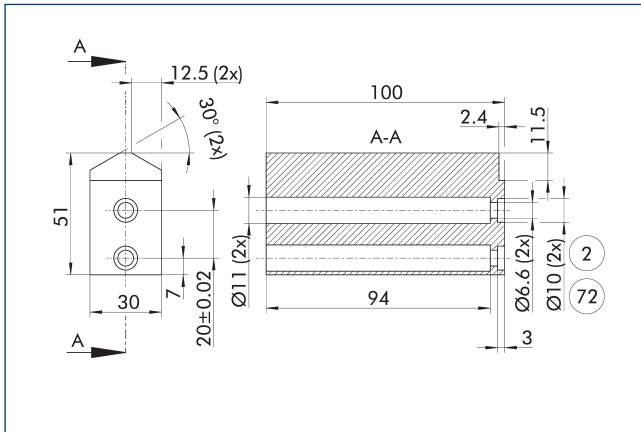
ⓘ If the operating pressure is higher than 6 bar, suitability for use beyond the application limits must be checked.

Fields of application

Series	Size	Variant	Suitability
PZN-plus	100	-1 (6 bar)	■■■■
PZN-plus	100	-1-AS/1-IS (6 bar)	■■□□
PZN-plus	100	-2 (6 bar)	□□□□
PZN-plus	100	-2-AS/2-IS (6 bar)	□□□□
PZN-plus	100	-...-KVZ (6 bar)	□□□□
Legend			
■■■■	Can be combined without restrictions		
■■□□	Use with restrictions (see loading limits)		
□□□□	cannot be combined		

The load limits for describing the application limits can be found in the catalog chapter of the corresponding accessories.

Finger blanks ABR/SBR-PGZN-plus 100



② Finger connection

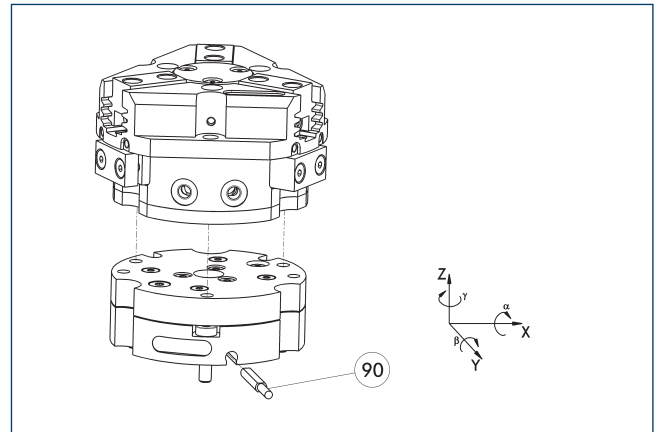
⑦② Fit for centering sleeves

The drawing shows the finger blank which can be reworked by the customer.

Description	ID	Material	Scope of delivery
Finger blank			
ABR-PGZN-plus 100	0300012	Aluminum (3.4365)	1
SBR-PGZN-plus 100	0300022	Steel (1.7131)	1

ⓘ When finger blanks are used, the closing stroke of individual gripper series may be limited. Please check this in detail in advance using the CAD data and adjust the reworking of the fingers accordingly.

Tolerance compensation unit TCU

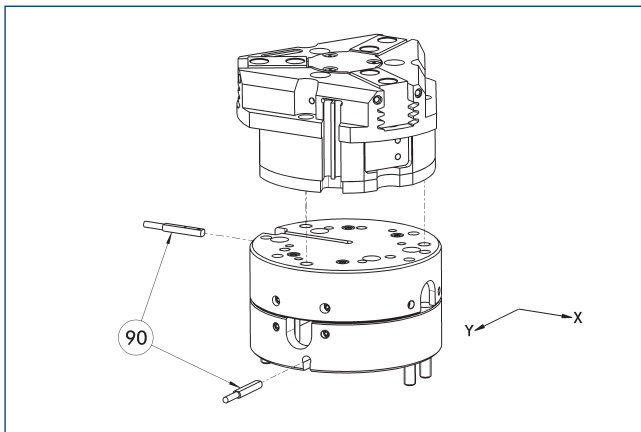


⑨⑩ Monitoring of locking

Grippers can be directly mounted without an adapter plate. Tolerance compensation unit and gripper have an identical screw connection diagram. Therefore the tolerance compensation units can be assembled later. Please consider the additional assembly height of the tolerance compensation unit. For details please refer to our catalog robot accessories.

Description	ID	Locking	Deflection	Often combined
Compensation unit				
TCU-Z-100-2-MV	0324798	yes	$\pm 1^\circ / \pm 1^\circ / \pm 1^\circ$	●
TCU-Z-100-2-0V	0324799	no	$\pm 1^\circ / \pm 1^\circ / \pm 1^\circ$	

Compensation unit AGE-F

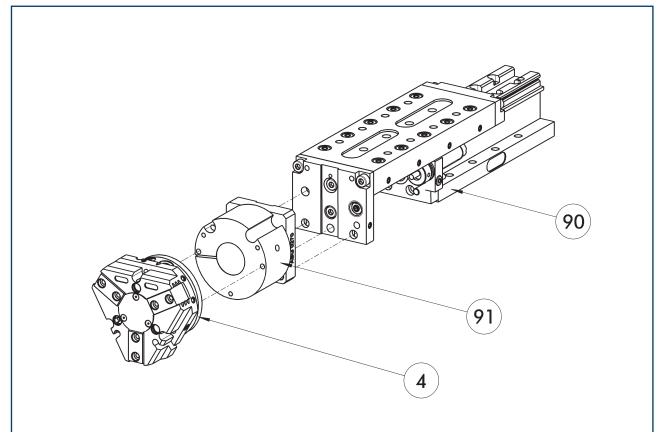


⑨⑩ Monitoring

Grippers can be directly mounted without an adapter plate. For details see our catalog Gripping or Robot Accessories.

Description	ID	Compensation XY	Reset force	Often combined
		[mm]	[N]	
Compensation unit				
AGE-F-XY-080-1	0324960	± 5	39	
AGE-F-XY-080-2	0324961	± 5	85	
AGE-F-XY-080-3	0324962	± 5	90	●

Modular Assembly Automation



④ Grippers

⑨① ASG adapter plate

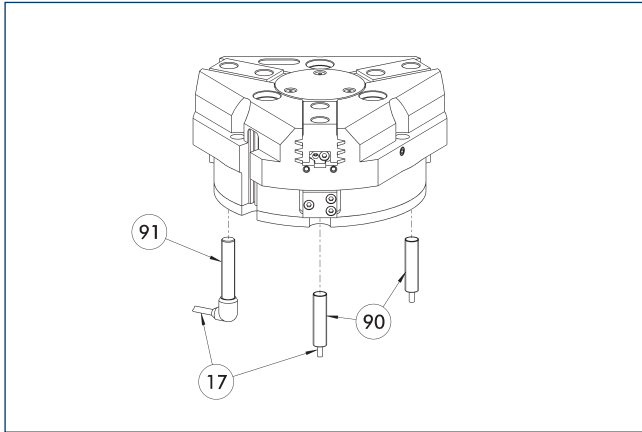
⑨⑩ Linear module CLM/KLM/LM/ELP/ELM/ELS/HLM

Grippers and linear modules can be combined with standard adapter plates from the modular assembly system. For more information see our main catalog "Modular Assembly Automation".

PZN-plus 100

Universal gripper

Inductive proximity switches



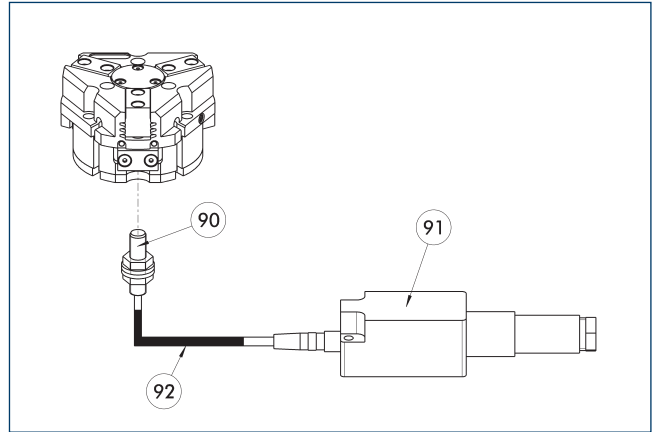
- 17 Cable outlet
- 90 Sensor IN ...
- 91 Sensor IN...-SA

Directly mounted end position monitoring.

Description	ID	Often combined
Inductive proximity switch		
IN 80-S-M12	0301578	
IN 80-S-M8	0301478	●
INK 80-S	0301550	
Inductive proximity switch with lateral cable outlet		
IN 80-S-M12-SA	0301587	
IN 80-S-M8-SA	0301483	●
INK 80-S-SA	0301566	
Connection cables		
KA BG08-L 3P-0300-PNP	0301622	●
KA BG08-L 3P-0500-PNP	0301623	
KA BG12-L 3P-0500-PNP	30016369	
KA BW08-L 3P-0300-PNP	0301594	
KA BW08-L 3P-0500-PNP	0301502	
KA BW12-L 3P-0300-PNP	0301503	
KA BW12-L 3P-0500-PNP	0301507	
Clip for connector/socket		
CLI-M12	0301464	
CLI-M8	0301463	
Cable extension		
KV BG12-SG12 3P-0030-PNP	0301999	
KV BG12-SG12 3P-0060-PNP	0301998	
KV BW08-SG08 3P-0030-PNP	0301495	
KV BW08-SG08 3P-0100-PNP	0301496	
KV BW08-SG08 3P-0200-PNP	0301497	●
KV BW12-SG12 3P-0030-PNP	0301595	
KV BW12-SG12 3P-0100-PNP	0301596	
KV BW12-SG12 3P-0200-PNP	0301597	
Sensor distributor		
V2-M12	0301776	●
V2-M8	0301775	●
V4-M8	0301746	
V8-M8	0301751	

- ① Two sensors are required per unit for monitoring two positions. On option, extension cables and sensor distributors are available. Additional product variants of the sensor, and further information and technical data can be found in the catalog chapter sensor system.

Flexible position sensor



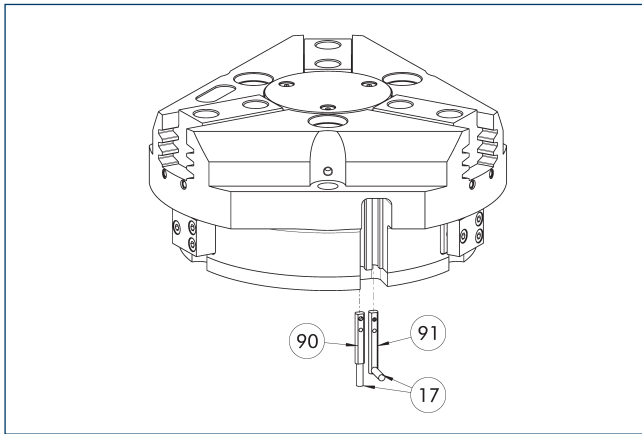
- 90 FPS-S sensor
- 91 FPS-F5 evaluation electronic
- 92 Cable extension

Flexible position monitoring of up to five positions.

Description	ID	
Attachment kit for FPS		
AS-FPS-PGZN-plus 100-1	0301634	
AS-FPS-PGZN-plus 100-2/PZB 125	0301635	
Sensor		
FPS-S M8	0301704	
Evaluation electronics		
FPS-F5	0301805	
Cable extension		
KV BG08-SG08 3P-0050	0301598	
KV BG08-SG08 3P-0100	0301599	

- ① When using an FPS system, an FPS sensor (FPS-S) as well as an electronic processor (FPS-F5 / F5 T) are required for each gripper as well as a mounting kit (AS), if listed. Cable extensions (KV) are optionally available – see catalog chapter "Accessories."

Electronic magnetic switch MMS



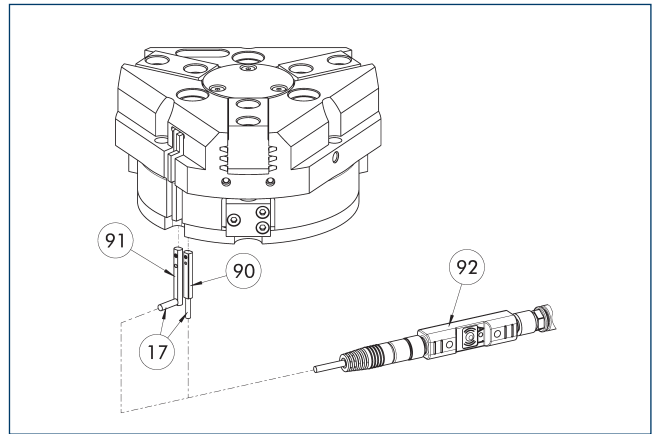
- 17 Cable outlet
- 90 Sensor MMS 22..
- 91 Sensor MMS 22...-SA

End position monitoring for mounting in the C-slot.

Description	ID	Often combined
Electronic magnetic switch		
MMS 22-S-M8-PNP	0301032	●
MMSK 22-S-PNP	0301034	
Electronic magnetic switches with lateral cable outlet		
MMS 22-S-M8-PNP-SA	0301042	●
MMSK 22-S-PNP-SA	0301044	
Reed Switches		
RMS 22-S-M8	0377720	●
Connection cables		
KA BG08-L 3P-0300-PNP	0301622	●
KA BG08-L 3P-0500-PNP	0301623	
KA BW08-L 3P-0300-PNP	0301594	
KA BW08-L 3P-0500-PNP	0301502	
Clip for connector/socket		
CLI-M8	0301463	
Cable extension		
KV BW08-SG08 3P-0030-PNP	0301495	
KV BW08-SG08 3P-0100-PNP	0301496	
KV BW08-SG08 3P-0200-PNP	0301497	●
Sensor distributor		
V2-M8	0301775	●
V4-M8	0301746	
V8-M8	0301751	

① Two sensors are required per unit for monitoring two positions. On option, extension cables and sensor distributors are available. Additional product variants of the sensor, and further information and technical data can be found in the catalog chapter sensor system.

Programmable magnetic switch MMS 22-PI1



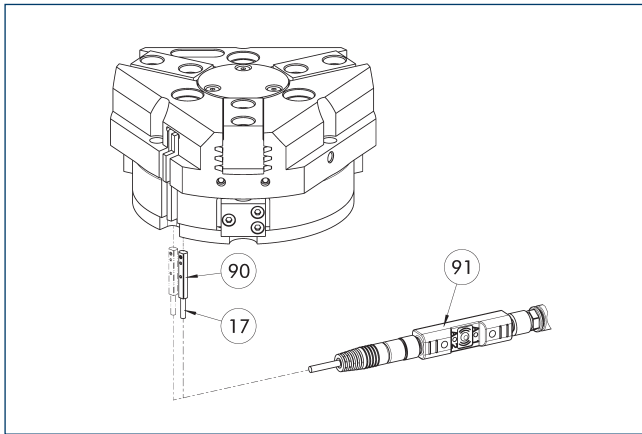
- 17 Cable outlet
- 90 Sensor MMS 22 PI1-...
- 91 Sensor MMS 22 ..-PI1-...-SA
- 92 Connector teaching tool ST

Position monitoring with one programmable position per sensor and integrated electronic system in the sensor. Can be programmed using MT magnetic teaching tool (included in the scope of delivery, ID 0301030) or ST plug teaching tool (optional). End position monitoring for mounting in the C-slot. If the ST plug teaching tools are listed in the table provided, teaching is only possible with the ST teaching tools.

Description	ID	Often combined
Programmable magnetic switch		
MMS 22-PI1-S-M8-PNP	0301160	●
MMSK 22-PI1-S-PNP	0301162	
Programmable magnetic switch with lateral cable outlet		
MMS 22-PI1-S-M8-PNP-SA	0301166	●
MMSK 22-PI1-S-PNP-SA	0301168	
Programmable magnetic switch with stainless steel housing		
MMS 22-PI1-S-M8-PNP-HD	0301110	●
MMSK 22-PI1-S-PNP-HD	0301112	
Plug teaching tool		
ST-MMS 22-PI1-PNP	0301025	

① Two sensors are required per unit for monitoring two positions. On option, extension cables and sensor distributors are available. Additional product variants of the sensor, and further information and technical data can be found in the catalog chapter sensor system.

Programmable magnetic switch MMS 22-PI2



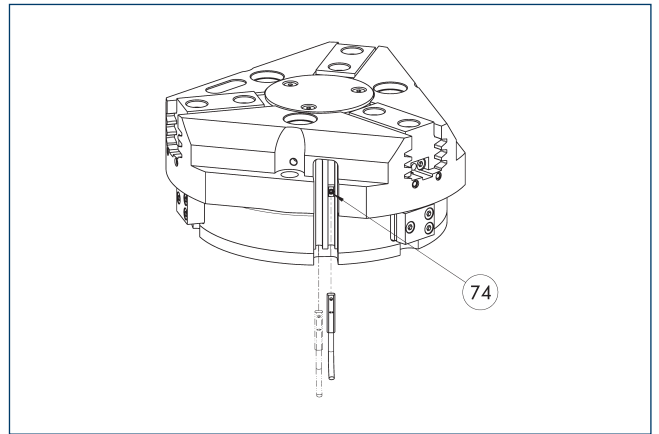
- ①⑦ Cable outlet
- ①⑨ Connector teaching tool ST
- ①⑩ MMS 22...-PI2-... sensor

Position monitoring with two programmable positions per sensor and electronics integrated in the sensor. Can be programmed using MT magnetic teaching tool (included in the scope of delivery, ID 0301030) or ST plug teaching tool (optional). End position monitoring for mounting in the C-slot. If the ST plug teaching tools are listed in the table provided, teaching is only possible with the ST teaching tools.

Description	ID	Often combined
Programmable magnetic switch		
MMS 22-PI2-S-M8-PNP	0301180	●
MMSK 22-PI2-S-PNP	0301182	
Programmable magnetic switch with lateral cable outlet		
MMS 22-PI2-S-M8-PNP-SA	0301186	●
MMSK 22-PI2-S-PNP-SA	0301188	
Programmable magnetic switch with stainless steel housing		
MMS 22-PI2-S-M8-PNP-HD	0301130	●
MMSK 22-PI2-S-PNP-HD	0301132	
Plug teaching tool		
ST-MMS 22-PI2-PNP	0301026	

- ① One sensor is required per unit for monitoring two positions. Extension cables and sensor distributors are optionally available. Additional product variants of the sensor, and further information and technical data can be found in the catalog chapter sensor systems.

MMS-P programmable magnetic switch



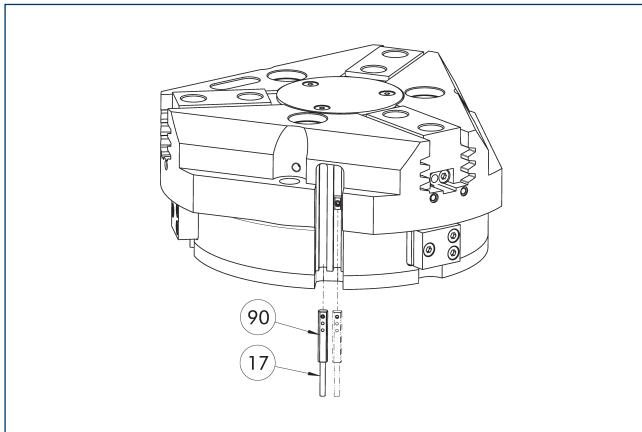
- ①④ Limit stop for sensor

Position monitoring with two programmable positions per sensor. End position monitoring for mounting in the C-slot.

Description	ID	Often combined
Programmable magnetic switch		
MMSK-P 22-S-PNP	0301371	
MMS-P 22-S-M8-PNP	0301370	●
Connection cables		
KA GLN0804-LK-00500-A	0307767	●
KA GLN0804-LK-01000-A	0307768	
KA WLN0804-LK-00500-A	0307765	
KA WLN0804-LK-01000-A	0307766	
Clip for connector/socket		
CLI-M8	0301463	
Sensor distributor		
V2-M8-4P-2XM8-3P	0301380	

- ① One sensor is required per unit for monitoring two positions. Extension cables and sensor distributors are optionally available. Additional product variants of the sensor, and further information and technical data can be found in the catalog chapter sensor systems.

Programmable magnetic switch MMS-IO-Link



17 Cable outlet

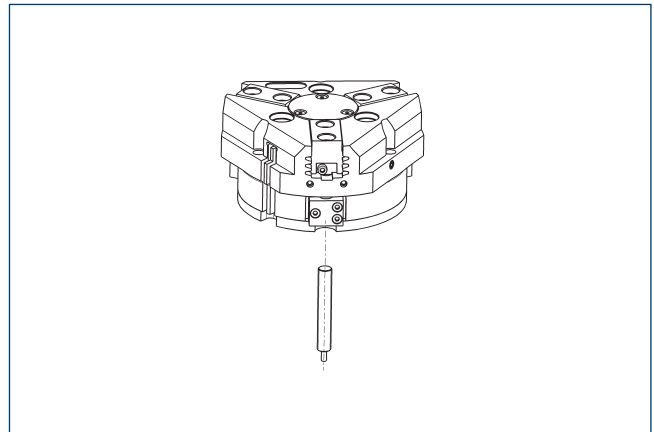
90 Sensor MMS 22-IOL-...

Sensor for multi-position monitoring through detection of the complete gripper stroke. The sensor is mounted directly in the C-slot of the gripper. The sensor is programmed for the gripper via the IO-Link interface or the ST plug teaching tool (not included in scope of delivery; ID 0301026). It is not possible to program the sensor using the Magnet teaching tool MT. An IO-Link master is required for operation.

Description	ID	
Programmable magnetic switch		
MMS 22-IOL-M08	0315830	
MMS 22-IOL-M12	0315835	

① One sensor is required for each gripper. No additional mounting kit is required – the gripper is equipped for use of the sensor by default. Further information and technical data can be found in the catalog chapter sensor systems.

APS-Z80 analog position sensor

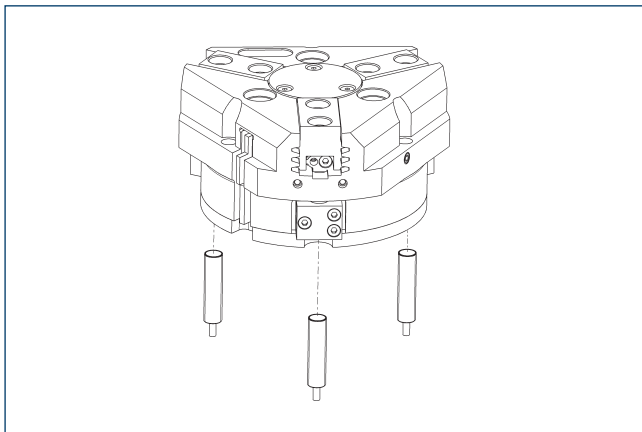


Non-contact measuring, analog multi-position monitoring for any number of positions.

Description	ID	Often combined
Mounting kit for APS-Z80		
AS-APS-Z80-PGZN-plus 100-1	0302109	
AS-APS-Z80-PGZN-plus 100-2	0302110	
Analog position sensor		
APS-Z80-K	0302072	
APS-Z80-M8	0302070	●

① When using an APS system, one mounting kit (AS-APS-Z80) and one APS-Z80 sensor is required per gripper. The resolution of the sensor can be lower in the peripheral areas of the gripper. You can find further information on the product in the operating manual.

Cylindrical reed switches



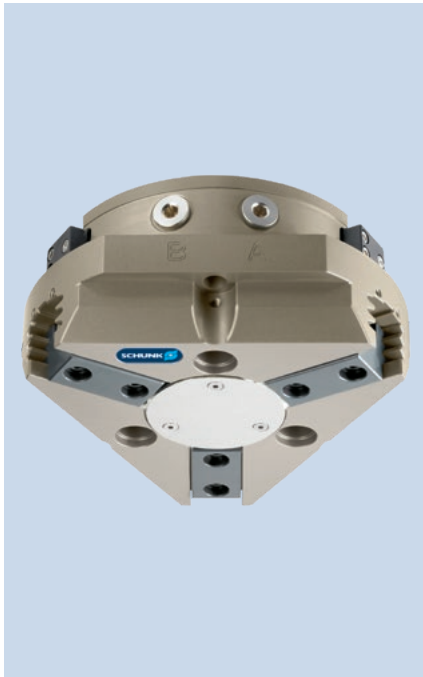
End position monitoring can be mounted with an attachment kit.

Description	ID	
Attachment kit for proximity switch		
AS-RMS 80 PGN/PZN-plus 100/125	0377726	
Reed Switches		
RMS 80-S-M8	0377721	

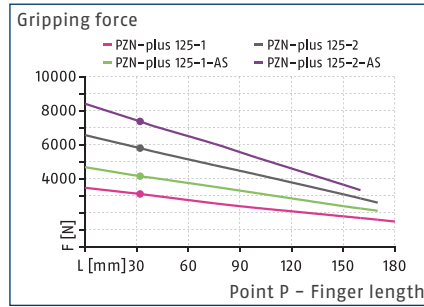
① Two sensors (closer/S) are required for each unit and extension cables are available as an option. This attachment kit needs to be ordered optionally as an accessory. Two mounting kits are required for each gripper. For sensor cables, note the minimum permissible bending radii. These are generally 35 mm.

PZN-plus 125

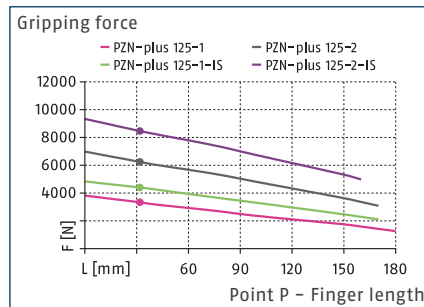
Universal gripper



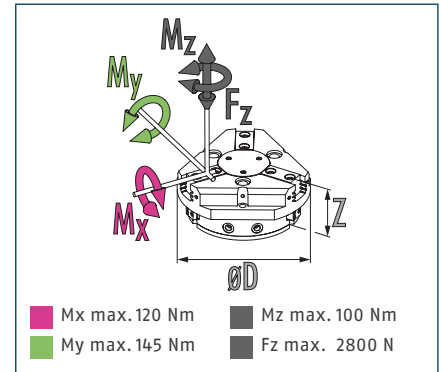
Gripping force O.D. gripping



Gripping force I.D. gripping



Dimensions and maximum loads



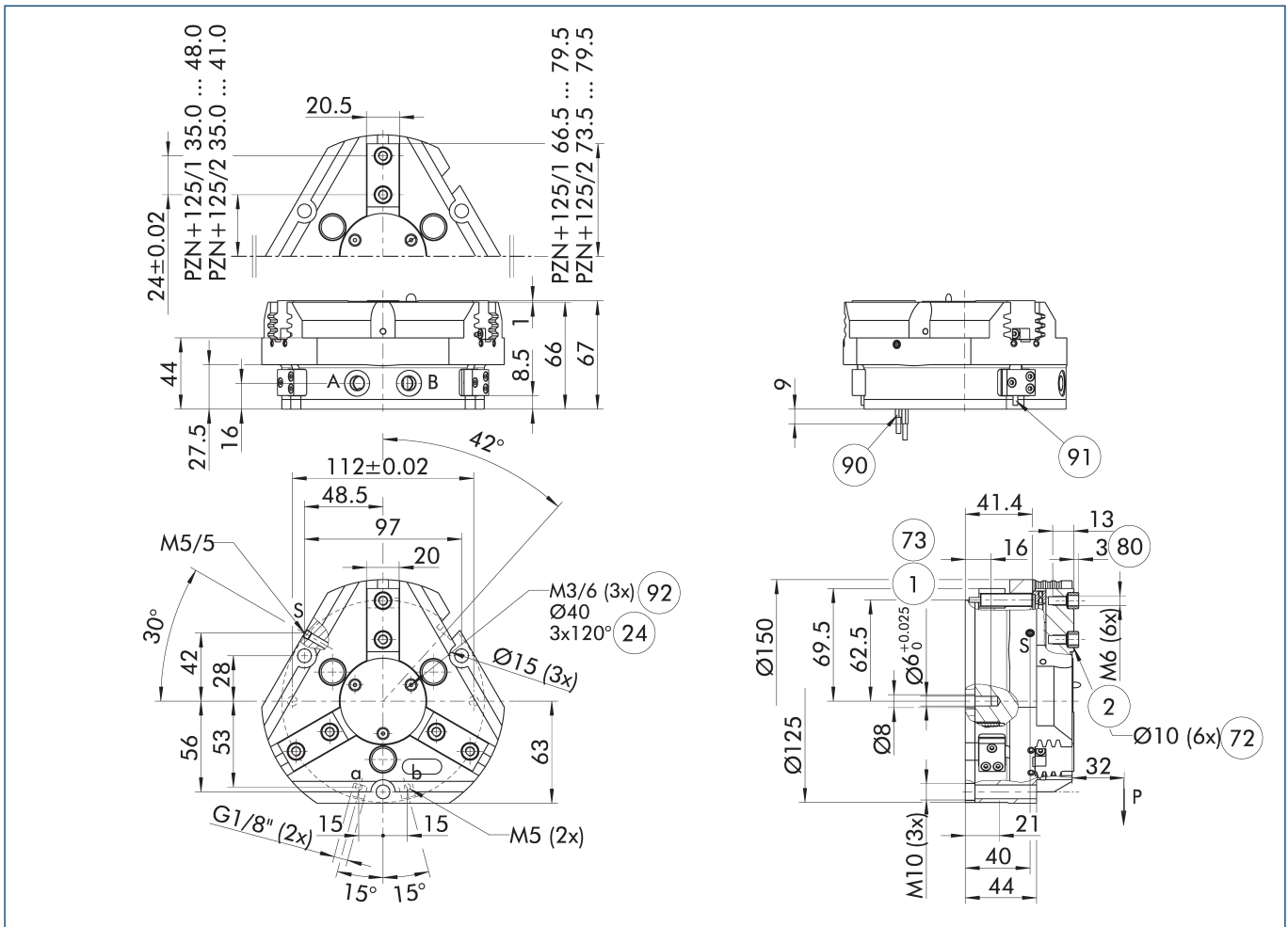
① The indicated moments and forces are static values, apply for each base jaw and may appear simultaneously. Loads may additionally occur to the moment produced by the gripping force itself.

Technical data

Description		PZN-plus 125-1	PZN-plus 125-2	PZN-plus 125-1-AS	PZN-plus 125-2-AS	PZN-plus 125-1-IS	PZN-plus 125-2-IS
ID		0303313	0303413	0303513	0303613	0303543	0303643
Stroke per jaw	[mm]	13	6	13	6	13	6
Closing/opening force	[N]	3100/3330	5800/6240	4150/-	7970/-	-/4400	-/8450
Min. spring force	[N]			1050	2170	1070	2210
Weight	[kg]	2.47	2.47	3.34	3.34	3.34	3.34
Recommended workpiece weight	[kg]	15.5	29	15.5	29	15.5	29
Cylinder volume per double stroke	[cm³]	230	230	383	383	383	383
Min./nom./max. operating pressure	[bar]	2/6/8	2/6/8	4/6/6.5	4/6/6.5	4/6/6.5	4/6/6.5
Min./max. air purge pressure	[bar]	0.5/1	0.5/1	0.5/1	0.5/1	0.5/1	0.5/1
Closing/opening time	[s]	0.2/0.2	0.2/0.2	0.17/0.35	0.17/0.35	0.35/0.17	0.35/0.17
Closing/opening time with spring	[s]			0.40	0.40	0.40	0.40
Max. permissible finger length	[mm]	180	170	170	160	170	160
Max. permissible weight per finger	[kg]	2.1	2.1	2.1	2.1	2.1	2.1
IP protection class		40	40	40	40	40	40
Min./max. ambient temperature	[°C]	5/90	5/90	5/90	5/90	5/90	5/90
Repeat accuracy	[mm]	0.01	0.01	0.01	0.01	0.01	0.01
Dimensions Ø D x Z	[mm]	150 x 67	150 x 67	150 x 91.5	150 x 91.5	150 x 91.5	150 x 91.5
Options and their characteristics							
Dustproof version		37303313	37303413	37303513	37303613	37303543	37303643
IP protection class		64	64	64	64	64	64
Weight	[kg]	2.9	2.9	3.7	3.7	3.7	3.7
Corrosion-protected version		38303313	38303413	38303513	38303613	38303543	38303643
High-temperature version		39303313	39303413	39303513	39303613	39303543	39303643
Min./max. ambient temperature	[°C]	5/130	5/130	5/130	5/130	5/130	5/130
Power booster version		0372204	0372214	0372224		0372244	
Closing/opening force	[N]	5209/5450	9674/10489	6097/-		-/6565	
Weight	[kg]	3.7	3.7	4.5		4.5	
Maximum pressure	[bar]	6	6	6		6	
Max. permissible finger length	[mm]	125	100	100		100	
Precision version		0303343	0303443	0303493	0303593		

① It may take a few 100 gripping cycles until the full gripping force (as indicated in the data table) will be available.

Main view



The drawing shows the gripper in the basic version with closed jaws, without dimensional consideration of the options described below.

① As an alternative/in addition to spring-assisted mechanical gripping force maintenance, the SDV-P pressure maintenance valve can be used for I.D. and O.D. gripping (see "Accessories" section of catalog).

A, a Main / direct connection, gripper opening

B, b Main / direct connection, gripper closing

S Air purge connection

① Gripper connection

② Finger connection

②④ Bolt circle

⑦② Fit for centering sleeves

⑦③ Fit for centering pins

⑧① Depth of the centering sleeve hole in the counter part

⑨① Sensor MMS 22..

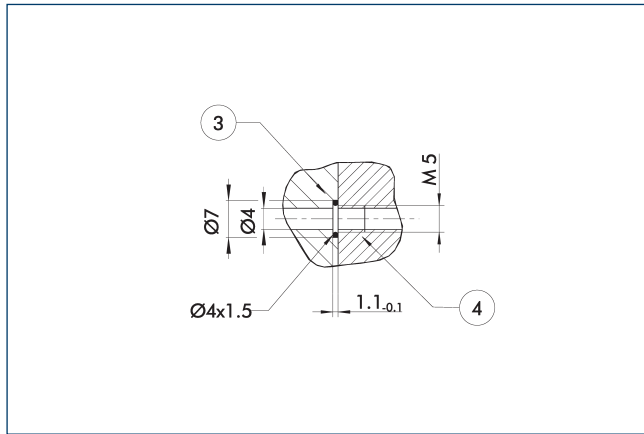
⑨① Sensor IN ...

⑨② Thread below the cover for fastening external attachments

PZN-plus 125

Universal gripper

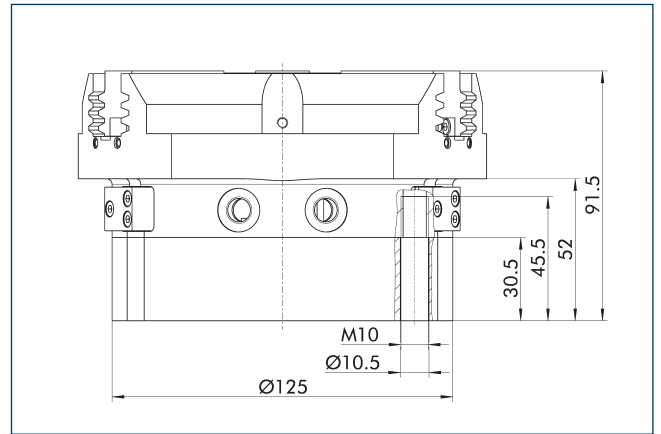
Hose-free direct connection M5



- ③ Adapter
- ④ Grippers

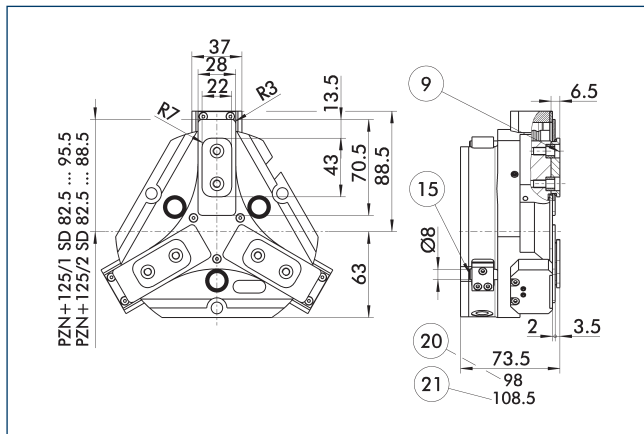
The direct connection is used for supplying compressed air without hoses. Instead, the pressure medium is fed through bore-holes in the mounting plate.

Gripping force maintenance version AS/IS



The mechanical gripping force maintenance device ensures that a minimum clamping force will be applied even if there is a drop in pressure. In the AS/IS variant this acts as a closing force, in the IS variant as an opening force. Besides this, gripping force maintenance can be used to increase gripping force or for single actuated gripping.

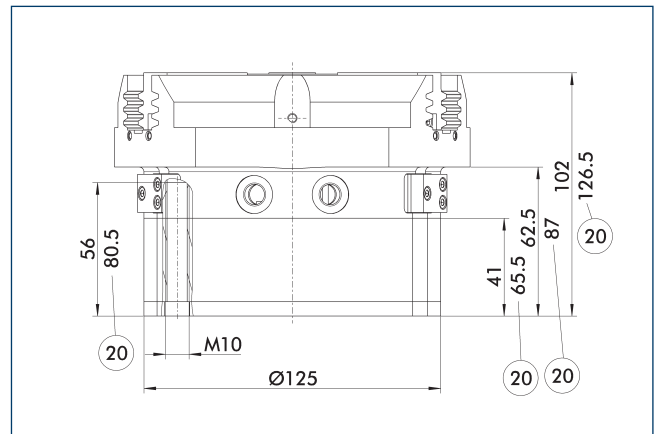
Dustproof version



- ⑨ For mounting screw connection
- ⑩ For version AS/IS diagram, see basic version
- ⑮ Sealing bolt
- ⑳ Applies for KVZ version

The "dustproof" option increases the degree of protection against penetrating substances. The assembly diagram shifts by the height of the intermediate jaw. The finger length is still measured from the upper edge of the gripper housing.

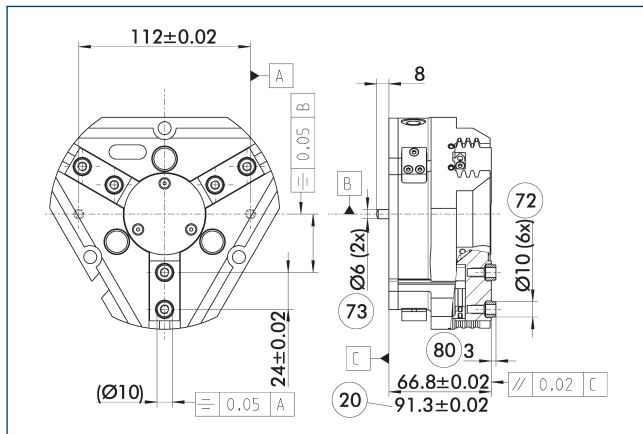
Power booster version



- ⑳ For version AS/IS

The KVZ cylinder increases the gripping forces during opening and closing. A second, in series-connected piston also increases the force on the wedge hook. Please consider that grippers which are equipped with a gripping force maintenance device are higher.

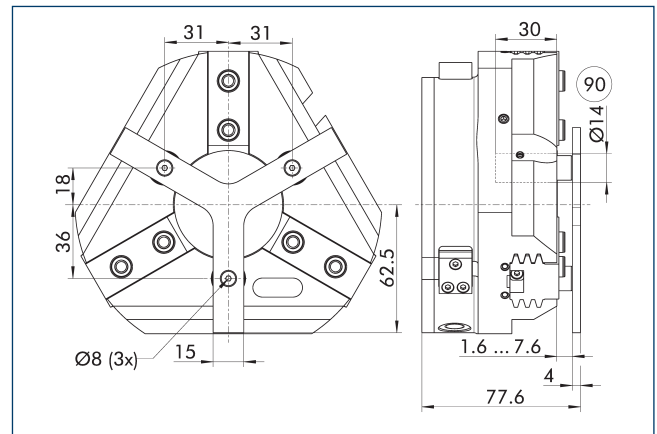
Precision version



- ②0 For version AS/IS
- ⑦2 Fit for centering sleeves
- ⑦3 Fit for centering pins
- ⑧0 Depth of the centering sleeve hole in the counter part

The indicated tolerances just refer to the variants of precision versions shown in the chart of technical specifications. All other variants of precision versions are available on request.

Spring-loaded pressure piece



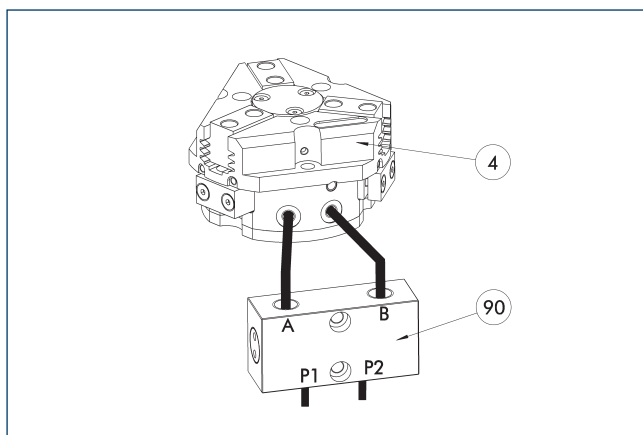
- ⑨0 Guide pin

For spring-supported positioning of the workpiece against a stop after the gripper has opened. Especially developed for loading machines.

Description	ID	Stroke [mm]	Min. force [N]
Spring-loaded pressure piece			
A-PZN-plus/DPZ-plus 125	0303723	6	105

- ① The pressure piece cannot be combined with the dustproof option. Please contact us if you require a customized pressure piece.

SDV-P pressure maintenance valve



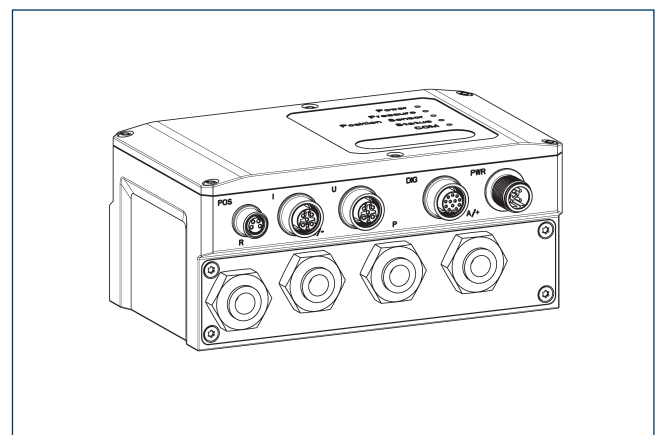
- ④ Grippers
- ⑨0 SDV-P pressure maintenance valve

The SDV-P pressure maintenance valve ensures in emergency STOP situations that the pressure in the piston chamber of pneumatic gripper, swivel, linear, and quick-change modules is temporarily maintained.

Description	ID	Recommended hose diameter [mm]
Pressure maintenance valve		
SDV-P 07	0403131	8
Pressure maintenance valve with air bleed screw		
SDV-P 07-E	0300121	8

- ① In order to achieve the specified closing and opening time for each gripper variant, the recommended hose diameter must be used. The direct allocation of the respective variant of the gripper for the respective SDV-P can be found at schunk.com.

Pneumatic positioning device PPD



The PPD allows flexibility in all applications with pneumatic grippers through free positioning, gripping force and speed adjustment.

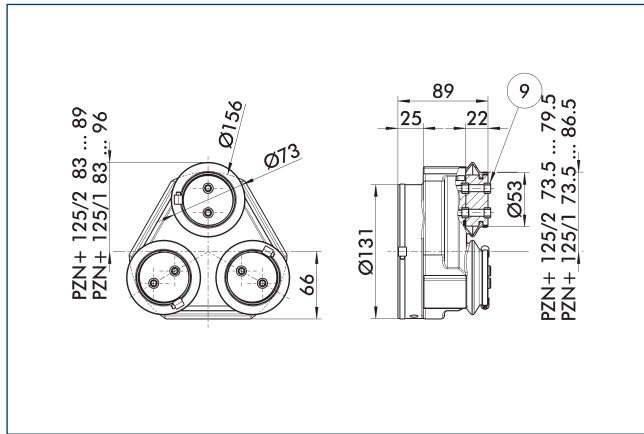
Description	ID	
Pneumatic positioning device		
PPD 20-IOL	1540700	
Adapter		
A GGN0804-1204-A	1540691	
IO-Link connection cable		
KA GGN1205-1212-IOL-00100-A	1540697	
Voltage supply connection cable - cable track compatible		
KA GLN12B05-LK-01000-A	1540660	
Cable extension		
KV GGN0804-I0-00150-A	1540662	
KV GGN0804-I0-00300-A	1540663	
Assembly set		
Assembly set PPD	1540705	

- ① In addition to the PPD, a position sensor (SCHUNK IO-Link sensor or analog sensor (4...20 mA)) is required.

PZN-plus 125

Universal gripper

Protective cover HUE PZN-plus 125



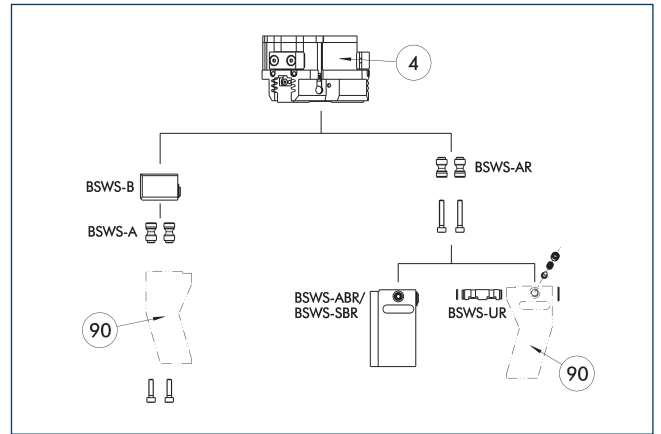
⑨ For mounting screw connection diagram, see basic version

The HUE protective cover fully protects the gripper against external influences. The cover is suitable for applications of up to IP65 if an additional sealing of the cover bottom is provided. For detailed information, please see the HUE series. The connection diagram shifts by the height of the intermediate jaw.

Description	ID	IP protection class
Protection cover		
HUE PZN-plus 125	0303483	65

⑩ An inductive monitoring of the gripper in connection with the protective cover HUE is not possible. SCHUNK recommends the use of magnetic sensors that are approved for the respective gripper version.

BSWS jaw quick-change jaw systems



④ Grippers

⑨⑩ Customized gripper fingers

There are various jaw quick-change systems available for the gripper. For detailed information, please refer to the corresponding product.

Description	ID	Scope of delivery
Jaw quick-change system adapter pin		
BSWS-A 125	0303028	2
BSWS-AR 125	0300095	2
Quick-change jaw system base		
BSWS-B 125	0303029	1
Jaw quick-change system finger blank		
BSWS-ABR-PGZN-plus 125	0300075	1
BSWS-SBR-PGZN-plus 125	0300085	1
Jaw quick-change system locking mechanism		
BSWS-UR 125	0302994	1

④ If the operating pressure is higher than 6 bar, suitability for use beyond the application limits must be checked. Only systems that are listed in the table, can be used.

Fields of application

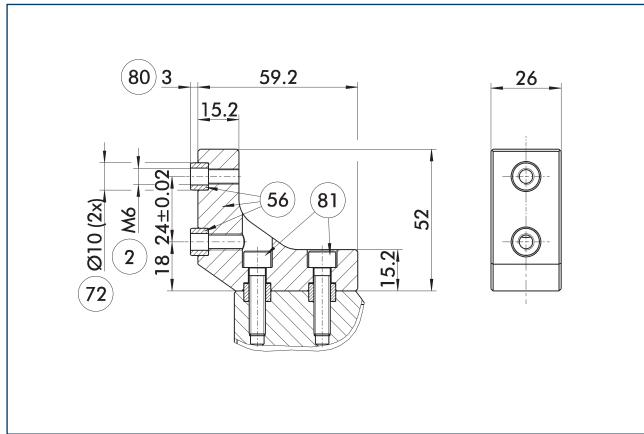
Series	Size	Variant	Suitability
PZN-plus	125	-1 (6 bar)	■■■■■
PZN-plus	125	-1-AS/1-IS (6 bar)	■■■■■
PZN-plus	125	-2 (6 bar)	■■■■■
PZN-plus	125	-2-AS/2-IS (6 bar)	■■■□□
PZN-plus	125	-...-KVZ (6 bar)	■■■□□
Legend			
■■■■■	Can be combined without restrictions		
■■■□□	Use with restrictions (see loading limits)		
□□□□□	cannot be combined		

The load limits for describing the application limits can be found in the catalog chapter of the corresponding accessories.

PZN-plus 125

Universal gripper

ZBA-L-plus 125 intermediate jaws

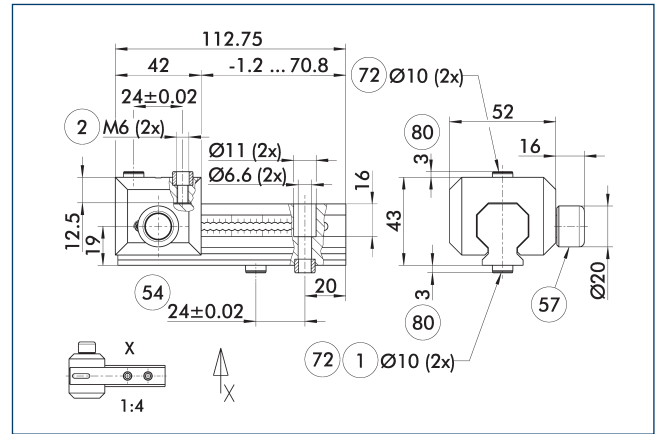


- ② Finger connection
- ⑤⑥ Included in the scope of delivery
- ⑦② Fit for centering sleeves
- ⑧① Depth of the centering sleeve hole in the counter part
- ⑧① Not included in the scope of delivery

The optional ZBA-L-plus intermediate jaws allow the screw connection diagram of the top jaws to be rotated by 90°. This makes it easier to design and produce top jaws (particularly for long versions) because no deep through-bores are required.

Description	ID	Material	Finger interface	Scope of delivery
Intermediate jaw				
ZBA-L-plus 125	0311752	Aluminum	PGN-plus 125	1

UZB 125 universal intermediate jaw



- ① Gripper connection
- ② Finger connection
- ⑤④ Optional right or left connection
- ⑤⑦ Locking
- ⑦② Fit for centering sleeves
- ⑧① Depth of the centering sleeve hole in the counter part

The drawing shows the UZB universal intermediate jaw. The fully removable UZB-S slide (can also be ordered separately) allows for a quick jaw change.

Description	ID	Grid dimension
Universal intermediate jaw		
UZB 125	0300045	3
Finger blank		
ABR-PGZN-plus 125	0300013	
SBR-PGZN-plus 125	0300023	
Slide for universal intermediate jaw		
UZB-S 125	5518273	3

ⓘ If the operating pressure is higher than 6 bar, suitability for use beyond the application limits must be checked.

Fields of application

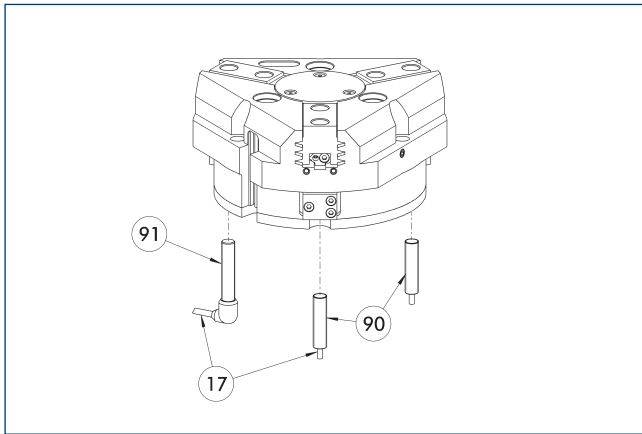
Series	Size	Variant	Suitability
PZN-plus	125	-1 (6 bar)	■■■■■
PZN-plus	125	-1-AS/1-IS (6 bar)	■■■□□
PZN-plus	125	-2 (6 bar)	□□□□□
PZN-plus	125	-2-AS/2-IS (6 bar)	□□□□□
PZN-plus	125	-...-KVZ (6 bar)	□□□□□
Legend			
■■■■■	Can be combined without restrictions		
■■■□□	Use with restrictions (see loading limits)		
□□□□□	cannot be combined		

The load limits for describing the application limits can be found in the catalog chapter of the corresponding accessories.

PZN-plus 125

Universal gripper

Inductive proximity switches



17 Cable outlet

91 Sensor IN..-SA

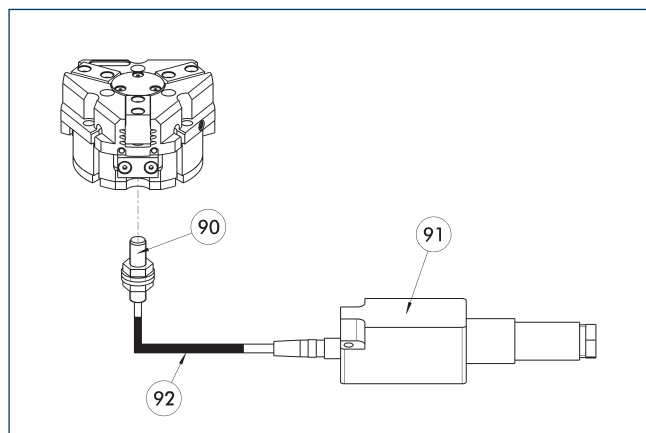
90 Sensor IN ...

Directly mounted end position monitoring.

Description	ID	Often combined
Inductive proximity switch		
IN 80-S-M12	0301578	
IN 80-S-M8	0301478	●
INK 80-S	0301550	
Inductive proximity switch with lateral cable outlet		
IN 80-S-M12-SA	0301587	
IN 80-S-M8-SA	0301483	●
INK 80-S-SA	0301566	
Connection cables		
KA BG08-L 3P-0300-PNP	0301622	●
KA BG08-L 3P-0500-PNP	0301623	
KA BG12-L 3P-0500-PNP	30016369	
KA BW08-L 3P-0300-PNP	0301594	
KA BW08-L 3P-0500-PNP	0301502	
KA BW12-L 3P-0300-PNP	0301503	
KA BW12-L 3P-0500-PNP	0301507	
Clip for connector/socket		
CLI-M12	0301464	
CLI-M8	0301463	
Cable extension		
KV BG12-SG12 3P-0030-PNP	0301999	
KV BG12-SG12 3P-0060-PNP	0301998	
KV BW08-SG08 3P-0030-PNP	0301495	
KV BW08-SG08 3P-0100-PNP	0301496	
KV BW08-SG08 3P-0200-PNP	0301497	●
KV BW12-SG12 3P-0030-PNP	0301595	
KV BW12-SG12 3P-0100-PNP	0301596	
KV BW12-SG12 3P-0200-PNP	0301597	
Sensor distributor		
V2-M12	0301776	●
V2-M8	0301775	●
V4-M8	0301746	
V8-M8	0301751	

① Two sensors are required per unit for monitoring two positions. On option, extension cables and sensor distributors are available. Additional product variants of the sensor, and further information and technical data can be found in the catalog chapter sensor system.

Flexible position sensor



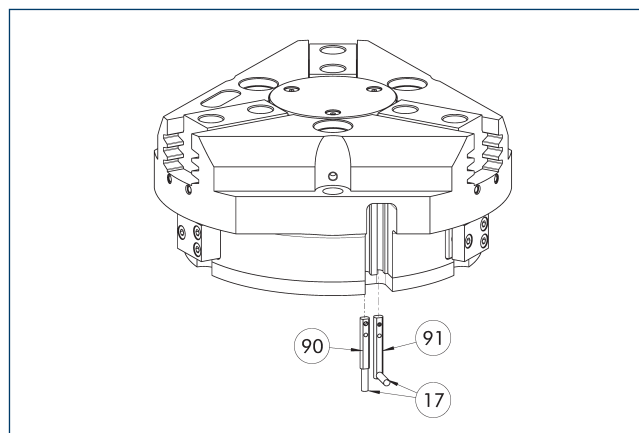
- ⑨⑩ FPS-S sensor
- ⑨① FPS-F5 evaluation electronic
- ⑨② Cable extension

Flexible position monitoring of up to five positions.

Description	ID	
Attachment kit for FPS		
AS-FPS-PGZN-plus 125-1/PZB 160	0301636	
AS-FPS-PGZN-plus 125-2	0301637	
Sensor		
FPS-S M8	0301704	
Evaluation electronics		
FPS-F5	0301805	
Cable extension		
KV BG08-SG08 3P-0050	0301598	
KV BG08-SG08 3P-0100	0301599	

- ① When using an FPS system, an FPS sensor (FPS-S) as well as an electronic processor (FPS-F5 / F5 T) are required for each gripper as well as a mounting kit (AS), if listed. Cable extensions (KV) are optionally available – see catalog chapter "Accessories."

Electronic magnetic switch MMS



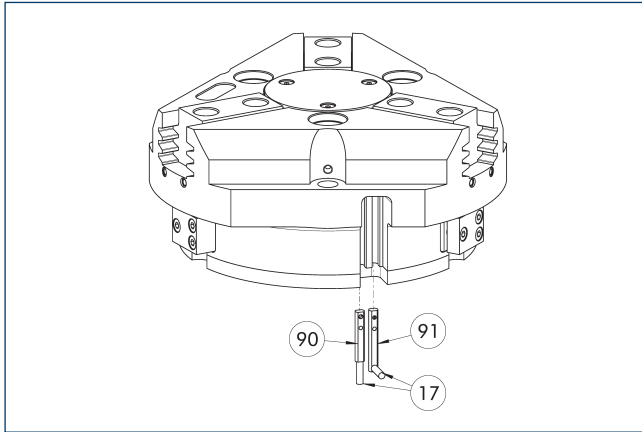
- ①⑦ Cable outlet
- ①⑧ Sensor MMS 22..
- ①⑨ Sensor MMS 22...-SA

End position monitoring for mounting in the C-slot.

Description	ID	Often combined
Electronic magnetic switch		
MMS 22-S-M8-PNP	0301032	●
MMSK 22-S-PNP	0301034	
Electronic magnetic switches with lateral cable outlet		
MMS 22-S-M8-PNP-SA	0301042	●
MMSK 22-S-PNP-SA	0301044	
Reed Switches		
RMS 22-S-M8	0377720	●
Connection cables		
KA BG08-L 3P-0300-PNP	0301622	●
KA BG08-L 3P-0500-PNP	0301623	
KA BW08-L 3P-0300-PNP	0301594	
KA BW08-L 3P-0500-PNP	0301502	
Clip for connector/socket		
CLI-M8	0301463	
Cable extension		
KV BW08-SG08 3P-0030-PNP	0301495	
KV BW08-SG08 3P-0100-PNP	0301496	
KV BW08-SG08 3P-0200-PNP	0301497	●
Sensor distributor		
V2-M8	0301775	●
V4-M8	0301746	
V8-M8	0301751	

- ① Two sensors are required per unit for monitoring two positions. On option, extension cables and sensor distributors are available. Additional product variants of the sensor, and further information and technical data can be found in the catalog chapter sensor system.

Programmable magnetic switch MMS 22-PI1



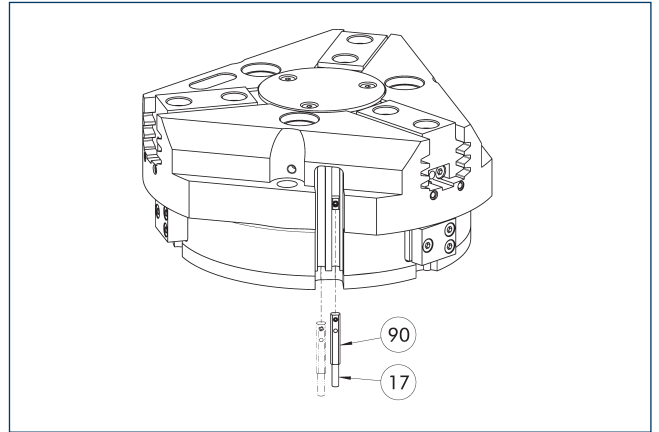
- ⑰ Cable outlet
- ⑨① Sensor MMS 22 ..-PI1-...-SA
- ⑨① Sensor MMS 22 PI1-...

Position monitoring with one programmable position per sensor and integrated electronic system in the sensor. Can be programmed using MT magnetic teaching tool (included in the scope of delivery, ID 0301030) or ST plug teaching tool (optional). End position monitoring for mounting in the C-slot. If the ST plug teaching tools are listed in the table provided, teaching is only possible with the ST teaching tools.

Description	ID	Often combined
Programmable magnetic switch		
MMS 22-PI1-S-M8-PNP	0301160	●
MMSK 22-PI1-S-PNP	0301162	
Programmable magnetic switch with lateral cable outlet		
MMS 22-PI1-S-M8-PNP-SA	0301166	●
MMSK 22-PI1-S-PNP-SA	0301168	
Programmable magnetic switch with stainless steel housing		
MMS 22-PI1-S-M8-PNP-HD	0301110	●
MMSK 22-PI1-S-PNP-HD	0301112	

- ① Two sensors are required per unit for monitoring two positions. On option, extension cables and sensor distributors are available. Additional product variants of the sensor, and further information and technical data can be found in the catalog chapter sensor system.

Programmable magnetic switch MMS 22-PI2



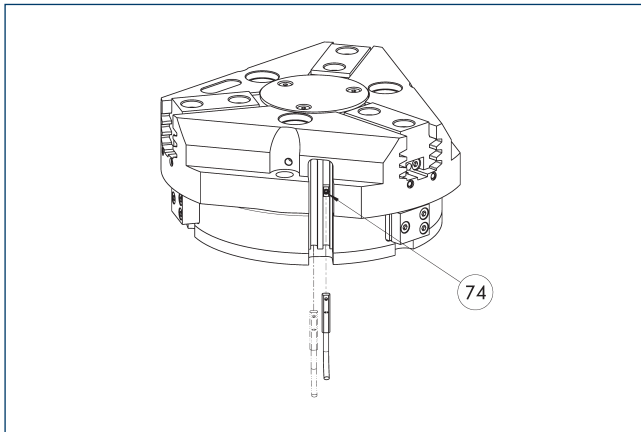
- ⑰ Cable outlet
- ⑨① MMS 22...-PI2-... sensor

Position monitoring with two programmable positions per sensor and electronics integrated in the sensor. Can be programmed using MT magnetic teaching tool (included in the scope of delivery, ID 0301030) or ST plug teaching tool (optional). End position monitoring for mounting in the C-slot. If the ST plug teaching tools are listed in the table provided, teaching is only possible with the ST teaching tools.

Description	ID	Often combined
Programmable magnetic switch		
MMS 22-PI2-S-M8-PNP	0301180	●
MMSK 22-PI2-S-PNP	0301182	
Programmable magnetic switch with lateral cable outlet		
MMS 22-PI2-S-M8-PNP-SA	0301186	●
MMSK 22-PI2-S-PNP-SA	0301188	
Programmable magnetic switch with stainless steel housing		
MMS 22-PI2-S-M8-PNP-HD	0301130	●
MMSK 22-PI2-S-PNP-HD	0301132	

- ① One sensor is required per unit for monitoring two positions. Extension cables and sensor distributors are optionally available. Additional product variants of the sensor, and further information and technical data can be found in the catalog chapter sensor systems.

MMS-P programmable magnetic switch



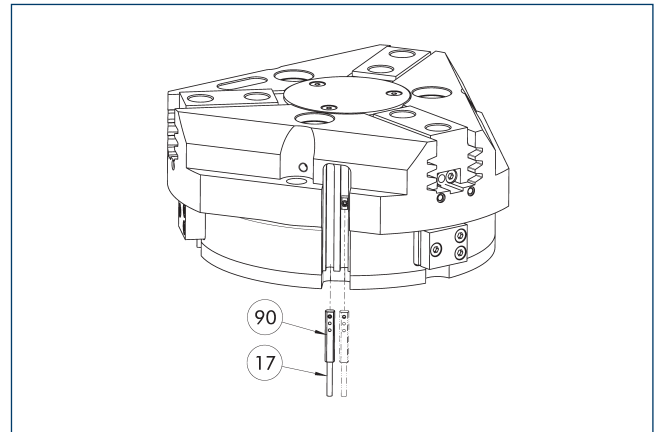
74 Limit stop for sensor

Position monitoring with two programmable positions per sensor. End position monitoring for mounting in the C-slot.

Description	ID	Often combined
Programmable magnetic switch		
MMSK-P 22-S-PNP	0301371	
MMS-P 22-S-M8-PNP	0301370	●
Connection cables		
KA GLN0804-LK-00500-A	0307767	●
KA GLN0804-LK-01000-A	0307768	
KA WLN0804-LK-00500-A	0307765	
KA WLN0804-LK-01000-A	0307766	
Clip for connector/socket		
CLI-M8	0301463	
Sensor distributor		
V2-M8-4P-2XM8-3P	0301380	

- ① One sensor is required per unit for monitoring two positions. Extension cables and sensor distributors are optionally available. Additional product variants of the sensor, and further information and technical data can be found in the catalog chapter sensor systems.

Programmable magnetic switch MMS-I0-Link



17 Cable outlet

90 Sensor MMS 22-I0L-...

Sensor for multi-position monitoring through detection of the complete gripper stroke. The sensor is mounted directly in the C-slot of the gripper. The sensor is programmed for the gripper via the I0-Link interface, Magnet teaching tool MT (included in scope of delivery; ID 0301030) or the ST plug teaching tool (not included in scope of delivery; ID 0301026). An I0-Link master is required for operation.

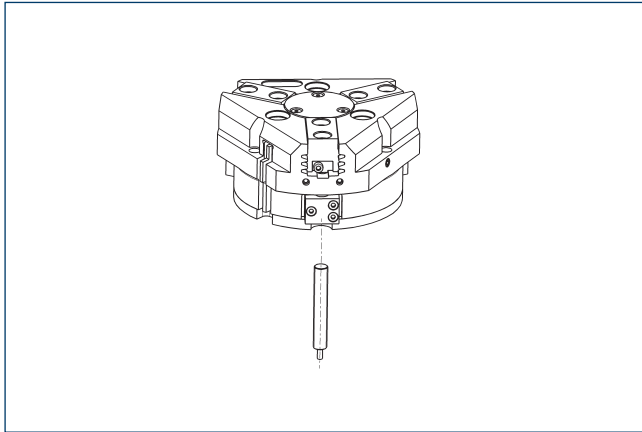
Description	ID	
Programmable magnetic switch		
MMS 22-I0L-M08	0315830	
MMS 22-I0L-M12	0315835	

- ① One sensor is required for each gripper. No additional mounting kit is required – the gripper is equipped for use of the sensor by default. Further information and technical data can be found in the catalog chapter sensor systems.

PZN-plus 125

Universal gripper

APS-Z80 analog position sensor

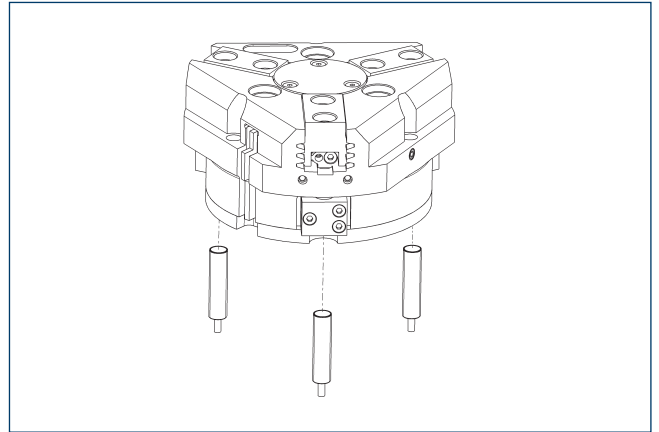


Non-contact measuring, analog multi-position monitoring for any number of positions.

Description	ID	Often combined
Mounting kit for APS-Z80		
AS-APS-Z80-PGZN-plus 125-1	0302111	
AS-APS-Z80-PGZN-plus 125-2	0302112	
Analog position sensor		
APS-Z80-K	0302072	
APS-Z80-M8	0302070	●

- ① When using an APS system, one mounting kit (AS-APS-Z80) and one APS-Z80 sensor is required per gripper. The resolution of the sensor can be lower in the peripheral areas of the gripper. You can find further information on the product in the operating manual.

Cylindrical reed switches



End position monitoring can be mounted with an attachment kit.

Description	ID	
Attachment kit for proximity switch		
AS-RMS 80 PGN/PZN-plus 100/125	0377726	
Reed Switches		
RMS 80-S-M8	0377721	

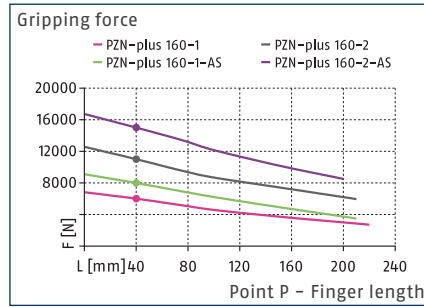
- ① Two sensors (closer/S) are required for each unit and extension cables are available as an option. This attachment kit needs to be ordered optionally as an accessory. Two mounting kits are required for each gripper. For sensor cables, note the minimum permissible bending radii. These are generally 35 mm.

PZN-plus 160

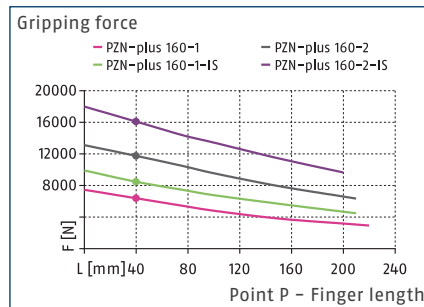
Universal gripper



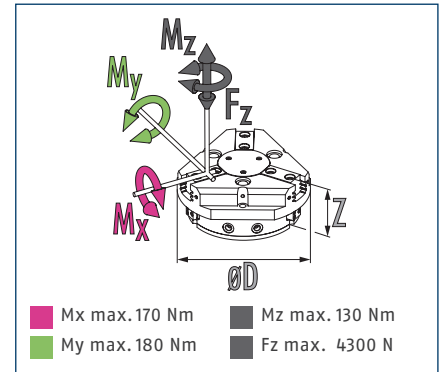
Gripping force O.D. gripping



Gripping force I.D. gripping



Dimensions and maximum loads



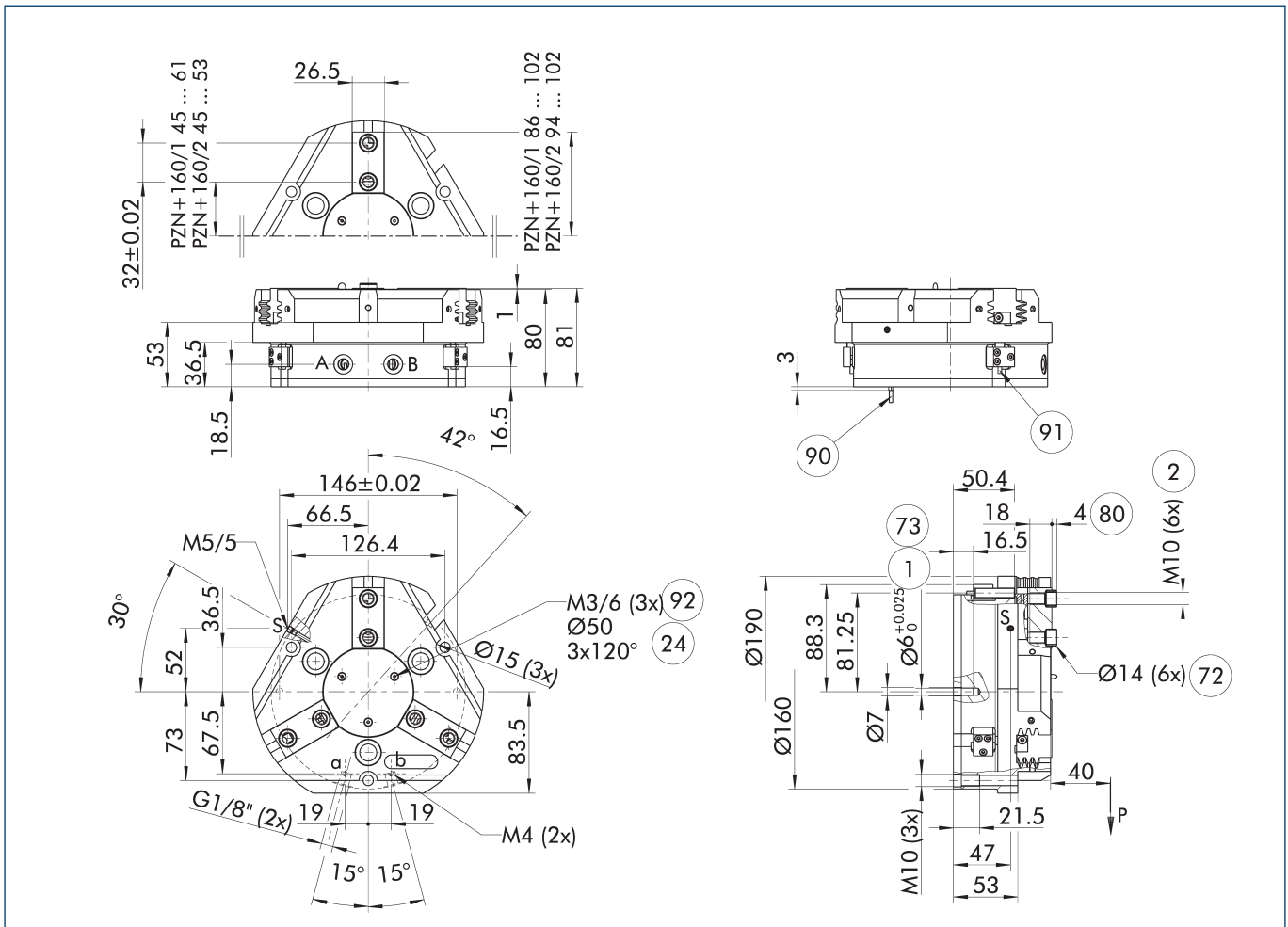
① The indicated moments and forces are static values, apply for each base jaw and may appear simultaneously. Loads may additionally occur to the moment produced by the gripping force itself.

Technical data

Description		PZN-plus 160-1	PZN-plus 160-2	PZN-plus 160-1-AS	PZN-plus 160-2-AS	PZN-plus 160-1-IS	PZN-plus 160-2-IS
ID		0303314	0303414	0303514	0303614	0303544	0303644
Stroke per jaw	[mm]	16	8	16	8	16	8
Closing/opening force	[N]	6000/6390	11000/11750	7990/-	15010/-	-/8480	-/16090
Min. spring force	[N]			1990	4010	2090	4340
Weight	[kg]	5.6	5.6	8	8	8	8
Recommended workpiece weight	[kg]	30	55	30	55	30	55
Cylinder volume per double stroke	[cm³]	520	520	875	875	875	875
Min./nom./max. operating pressure	[bar]	2/6/8	2/6/8	4/6/6.5	4/6/6.5	4/6/6.5	4/6/6.5
Min./max. air purge pressure	[bar]	0.5/1	0.5/1	0.5/1	0.5/1	0.5/1	0.5/1
Closing/opening time	[s]	0.5/0.5	0.5/0.5	0.4/0.8	0.4/0.8	0.8/0.4	0.8/0.4
Closing/opening time with spring	[s]			0.80	0.80	0.80	0.80
Max. permissible finger length	[mm]	220	210	210	200	210	200
Max. permissible weight per finger	[kg]	3.5	3.5	3.5	3.5	3.5	3.5
IP protection class		40	40	40	40	40	40
Min./max. ambient temperature	[°C]	5/90	5/90	5/90	5/90	5/90	5/90
Repeat accuracy	[mm]	0.02	0.02	0.02	0.02	0.02	0.02
Dimensions Ø D x Z	[mm]	190 x 81	190 x 81	190 x 111	190 x 111	190 x 111	190 x 111
Options and their characteristics							
Dustproof version		37303314	37303414	37303514	37303614	37303544	37303644
IP protection class		64	64	64	64	64	64
Weight	[kg]	6.5	6.5	8.9	8.9	8.9	8.9
Corrosion-protected version		38303314	38303414	38303514	38303614	38303544	38303644
High-temperature version		39303314	39303414	39303514	39303614	39303544	39303644
Min./max. ambient temperature	[°C]	5/130	5/130	5/130	5/130	5/130	5/130
Power booster version		0372205	0372215	0372225		0372245	
Closing/opening force	[N]	9980/10431	18229/19796	11620/-		-/12160	
Weight	[kg]	7.8	7.8	9.6		9.6	
Maximum pressure	[bar]	6	6	6		6	
Max. permissible finger length	[mm]	125	100	100		100	
Precision version		0303344	0303444	0303494	0303594		

① It may take a few 100 gripping cycles until the full gripping force (as indicated in the data table) will be available.

Main view



The drawing shows the gripper in the basic version with closed jaws, without dimensional consideration of the options described below.

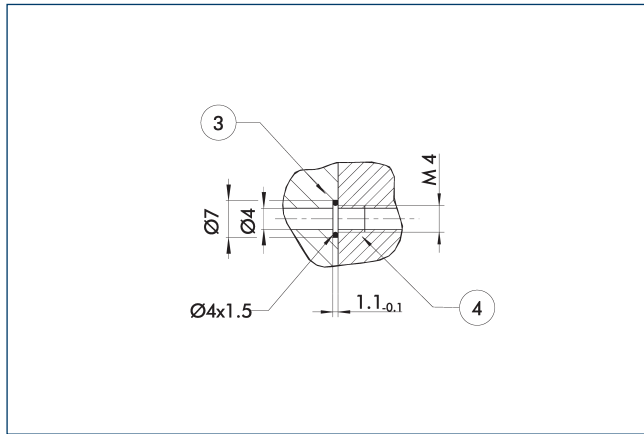
① As an alternative/in addition to spring-assisted mechanical gripping force maintenance, the SDV-P pressure maintenance valve can be used for I.D. and O.D. gripping (see "Accessories" section of catalog).

- | | |
|--|--|
| A, a Main / direct connection, gripper opening | ⑦② Fit for centering sleeves |
| B, b Main / direct connection, gripper closing | ⑦③ Fit for centering pins |
| S Air purge connection | ⑧① Depth of the centering sleeve hole in the counter part |
| ① Gripper connection | ⑨① Sensor MMS 22.. |
| ② Finger connection | ⑨② Sensor IN ... |
| ②④ Bolt circle | ⑨③ Thread below the cover for fastening external attachments |

PZN-plus 160

Universal gripper

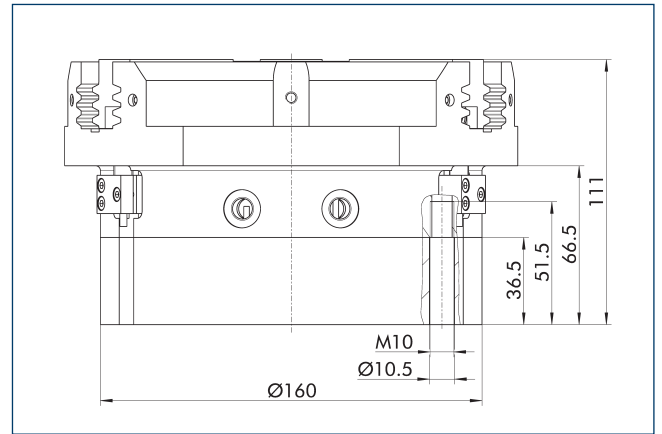
Hose-free direct connection M4



- ③ Adapter
- ④ Grippers

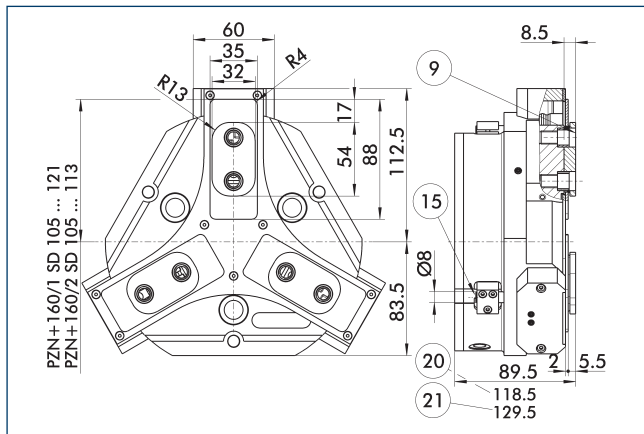
The direct connection is used for supplying compressed air without hoses. Instead, the pressure medium is fed through bore-holes in the mounting plate.

Gripping force maintenance version AS/IS



The mechanical gripping force maintenance device ensures that a minimum clamping force will be applied even if there is a drop in pressure. In the AS/S variant this acts as a closing force, in the IS variant as an opening force. Besides this, gripping force maintenance can be used to increase gripping force or for single actuated gripping.

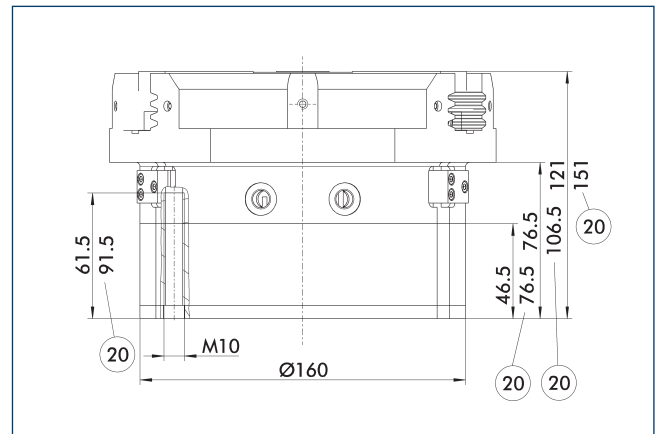
Dustproof version



- ⑨ For mounting screw connection
- ⑩ For version AS/IS diagram, see basic version
- ⑪ Sealing bolt
- ⑫ Applies for KVZ version

The "dustproof" option increases the degree of protection against penetrating substances. The assembly diagram shifts by the height of the intermediate jaw. The finger length is still measured from the upper edge of the gripper housing.

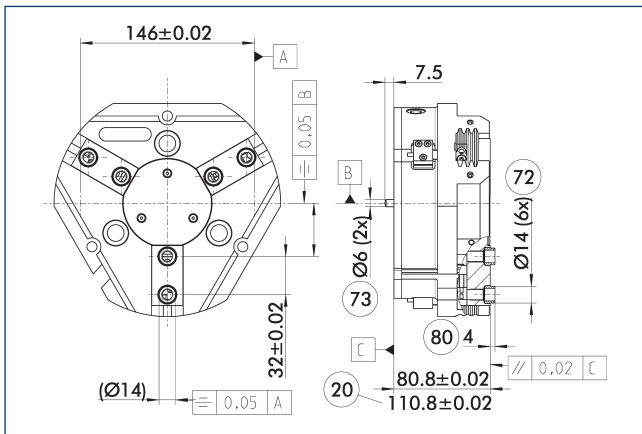
Power booster version



- ⑬ For version AS/IS

The KVZ cylinder increases the gripping forces during opening and closing. A second, in series-connected piston also increases the force on the wedge hook. Please consider that grippers which are equipped with a gripping force maintenance device are higher.

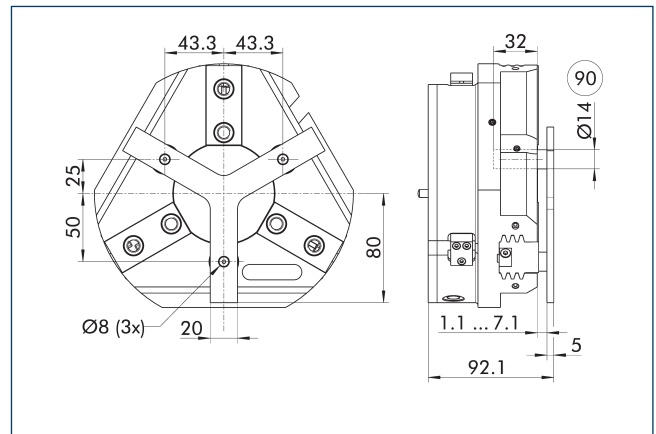
Precision version



- ②0 For version AS/IS
- ⑦2 Fit for centering sleeves
- ⑦3 Fit for centering pins
- ⑧0 Depth of the centering sleeve hole in the counter part

The indicated tolerances just refer to the variants of precision versions shown in the chart of technical specifications. All other variants of precision versions are available on request.

Spring-loaded pressure piece



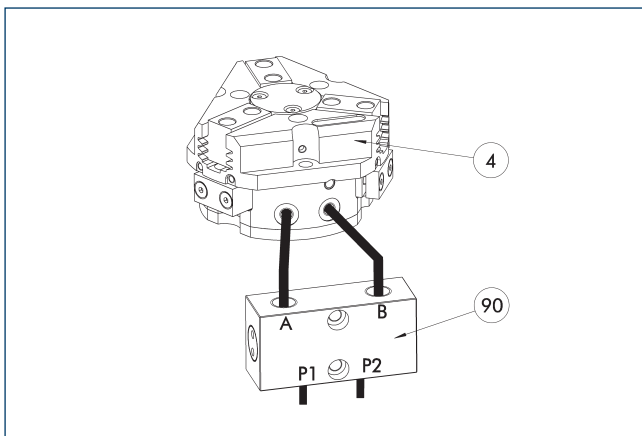
- ⑨0 Guide pin

For spring-supported positioning of the workpiece against a stop after the gripper has opened. Especially developed for loading machines.

Description	ID	Stroke [mm]	Min. force [N]
Spring-loaded pressure piece			
A-PZN-plus/DPZ-plus 160	0303724	6	150

- ① The pressure piece cannot be combined with the dustproof option. Please contact us if you require a customized pressure piece.

SDV-P pressure maintenance valve



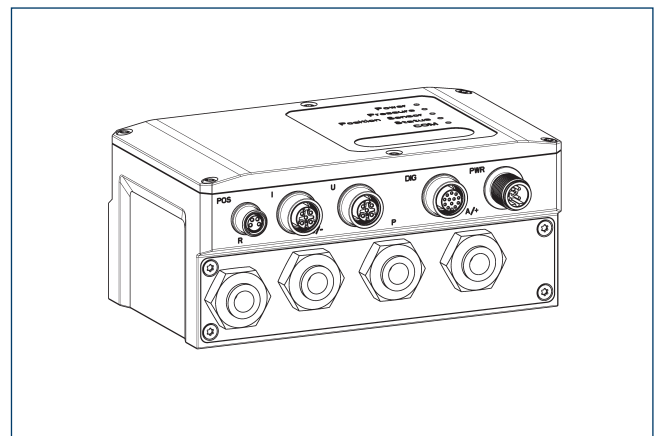
- ④ Grippers
- ⑨0 SDV-P pressure maintenance valve

The SDV-P pressure maintenance valve ensures in emergency STOP situations that the pressure in the piston chamber of pneumatic gripper, swivel, linear, and quick-change modules is temporarily maintained.

Description	ID	Recommended hose diameter [mm]
Pressure maintenance valve		
SDV-P 07	0403131	8
Pressure maintenance valve with air bleed screw		
SDV-P 07-E	0300121	8

- ① In order to achieve the specified closing and opening time for each gripper variant, the recommended hose diameter must be used. The direct allocation of the respective variant of the gripper for the respective SDV-P can be found at schunk.com.

Pneumatic positioning device PPD



The PPD allows flexibility in all applications with pneumatic grippers through free positioning, gripping force and speed adjustment.

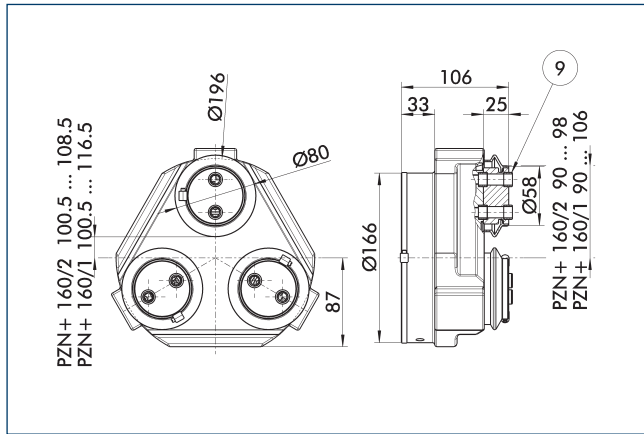
Description	ID	
Pneumatic positioning device		
PPD 40-IOL	1540701	
Adapter		
A GGN0804-1204-A	1540691	
IO-Link connection cable		
KA GGN1205-1212-IOL-00100-A	1540697	
Voltage supply connection cable - cable track compatible		
KA GLN12B05-LK-01000-A	1540660	
Cable extension		
KV GGN0804-IO-00150-A	1540662	
KV GGN0804-IO-00300-A	1540663	
Assembly set		
Assembly set PPD	1540705	

- ① In addition to the PPD, a position sensor (SCHUNK IO-Link sensor or analog sensor (4...20 mA)) is required.

PZN-plus 160

Universal gripper

Protective cover HUE PZN-plus 160



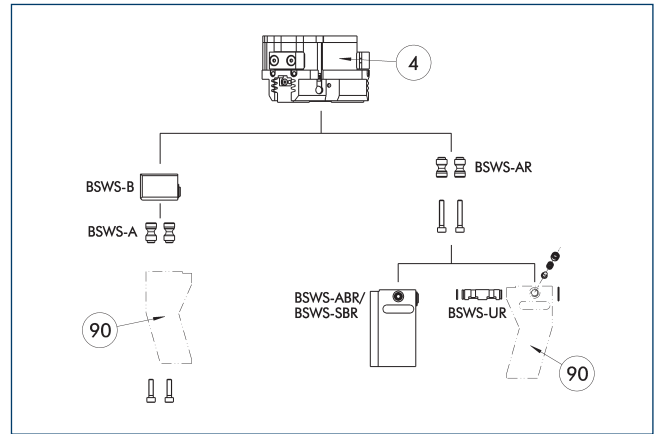
⑨ For mounting screw connection diagram, see basic version

The HUE protective cover fully protects the gripper against external influences. The cover is suitable for applications of up to IP65 if an additional sealing of the cover bottom is provided. For detailed information, please see the HUE series. The connection diagram shifts by the height of the intermediate jaw.

Description	ID	IP protection class
Protection cover		
HUE PZN-plus 160	0303484	65

① An inductive monitoring of the gripper in connection with the protective cover HUE is not possible. SCHUNK recommends the use of magnetic sensors that are approved for the respective gripper version.

BSWS jaw quick-change jaw systems



④ Grippers

⑨ Customized gripper fingers

There are various jaw quick-change systems available for the gripper. For detailed information, please refer to the corresponding product.

Description	ID	Scope of delivery
Jaw quick-change system adapter pin		
BSWS-A 160	0303030	2
BSWS-AR 160	0300096	2
Quick-change jaw system base		
BSWS-B 160	0303031	1
Jaw quick-change system finger blank		
BSWS-ABR-PGZN-plus 160	0300076	1
BSWS-SBR-PGZN-plus 160	0300086	1
Jaw quick-change system locking mechanism		
BSWS-UR 160	0302995	1

① If the operating pressure is higher than 6 bar, suitability for use beyond the application limits must be checked. Only systems that are listed in the table, can be used.

Fields of application

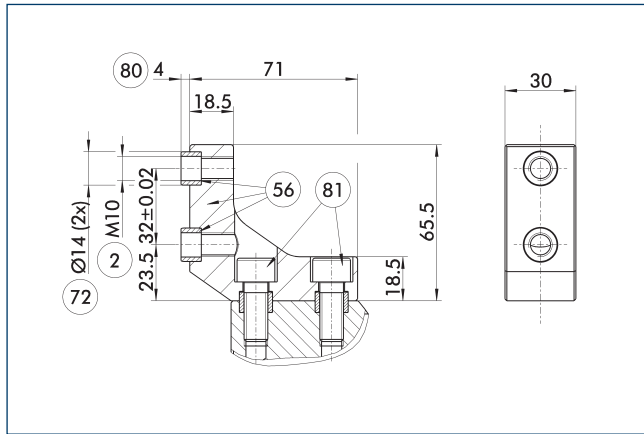
Series	Size	Variant	Suitability
PZN-plus	160	-1 (6 bar)	■■■■■
PZN-plus	160	-1-AS/1-IS (6 bar)	■■■□□
PZN-plus	160	-2 (6 bar)	■■■□□
PZN-plus	160	-2-AS/2-IS (6 bar)	■■■□□
PZN-plus	160	-...-KVZ (6 bar)	■■■□□
Legend			
■■■■■	Can be combined without restrictions		
■■■□□	Use with restrictions (see loading limits)		
□□□□□	cannot be combined		

The load limits for describing the application limits can be found in the catalog chapter of the corresponding accessories.

PZN-plus 160

Universal gripper

ZBA-L-plus 160 intermediate jaws

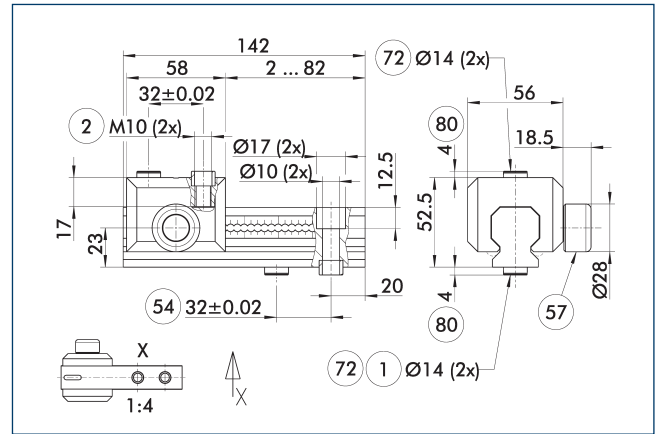


- ② Finger connection
- ⑤⑥ Included in the scope of delivery
- ⑦② Fit for centering sleeves
- ⑧① Depth of the centering sleeve hole in the counter part
- ⑧① Not included in the scope of delivery

The optional ZBA-L-plus intermediate jaws allow the screw connection diagram of the top jaws to be rotated by 90°. This makes it easier to design and produce top jaws (particularly for long versions) because no deep through-bores are required.

Description	ID	Material	Finger interface	Scope of delivery
Intermediate jaw				
ZBA-L-plus 160	0311762	Aluminum	PGN-plus 160	1

UZB 160 universal intermediate jaw



- ① Gripper connection
- ② Finger connection
- ⑤④ Optional right or left connection
- ⑤⑦ Locking
- ⑦② Fit for centering sleeves
- ⑧① Depth of the centering sleeve hole in the counter part

The drawing shows the UZB universal intermediate jaw. The fully removable UZB-S slide (can also be ordered separately) allows for a quick jaw change.

Description	ID	Grid dimension
		[mm]
Universal intermediate jaw		
UZB 160	0300046	4
Finger blank		
ABR-PGZN-plus 160	0300014	
SBR-PGZN-plus 160	0300024	
Slide for universal intermediate jaw		
UZB-S 160	5518274	4

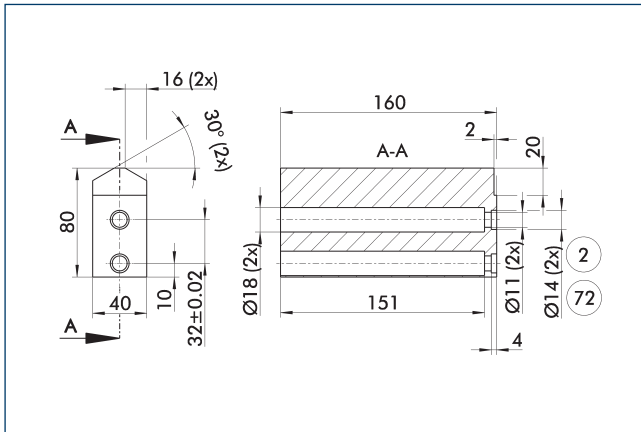
ⓘ If the operating pressure is higher than 6 bar, suitability for use beyond the application limits must be checked.

Fields of application

Series	Size	Variant	Suitability
PZN-plus	160	-1 (6 bar)	■■■■■
PZN-plus	160	-1-AS/1-IS (6 bar)	■■■□□
PZN-plus	160	-2 (6 bar)	□□□□□
PZN-plus	160	-2-AS/2-IS (6 bar)	□□□□□
PZN-plus	160	-...-KVZ (6 bar)	□□□□□
Legend			
■■■■■	Can be combined without restrictions		
■■■□□	Use with restrictions (see loading limits)		
□□□□□	cannot be combined		

The load limits for describing the application limits can be found in the catalog chapter of the corresponding accessories.

Finger blanks ABR/SBR-PGZN-plus 160



② Finger connection

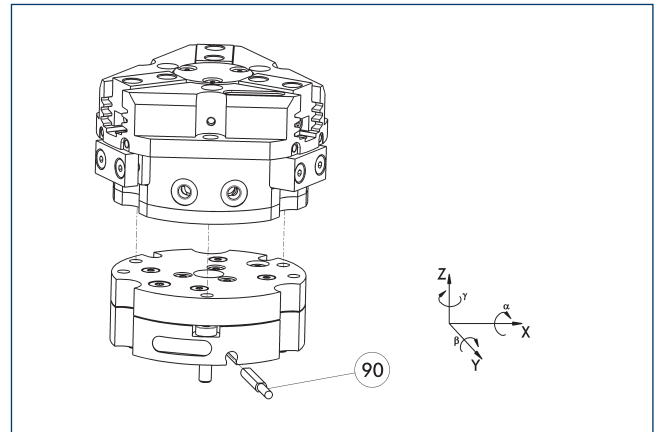
⑦② Fit for centering sleeves

The drawing shows the finger blank which can be reworked by the customer.

Description	ID	Material	Scope of delivery
Finger blank			
ABR-PGZN-plus 160	0300014	Aluminum (3.4365)	1
SBR-PGZN-plus 160	0300024	Steel (1.7131)	1

ⓘ When finger blanks are used, the closing stroke of individual gripper series may be limited. Please check this in detail in advance using the CAD data and adjust the reworking of the fingers accordingly.

Tolerance compensation unit TCU



⑨⑩ Monitoring of locking

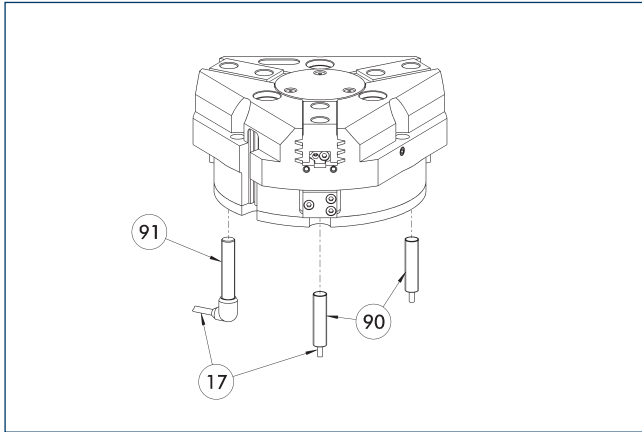
Grippers can be directly mounted without an adapter plate. Tolerance compensation unit and gripper have an identical screw connection diagram. Therefore the tolerance compensation units can be assembled later. Please consider the additional assembly height of the tolerance compensation unit. For details please refer to our catalog robot accessories.

Description	ID	Locking	Deflection	Often combined
Compensation unit				
TCU-Z-160-3-MV	0324838	yes	±1°/±1°/±1°	●
TCU-Z-160-3-OV	0324839	no	±1°/±1°/±1°	

PZN-plus 160

Universal gripper

Inductive proximity switches



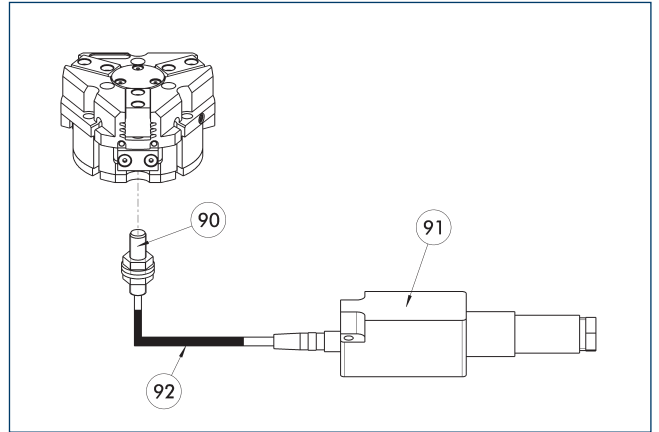
- 17 Cable outlet
- 90 Sensor IN ...
- 91 Sensor IN..-SA

Directly mounted end position monitoring.

Description	ID	Often combined
Inductive proximity switch		
IN 80-S-M12	0301578	
IN 80-S-M8	0301478	●
INK 80-S	0301550	
Inductive proximity switch with lateral cable outlet		
IN 80-S-M12-SA	0301587	
IN 80-S-M8-SA	0301483	●
INK 80-S-SA	0301566	
Connection cables		
KA BG08-L 3P-0300-PNP	0301622	●
KA BG08-L 3P-0500-PNP	0301623	
KA BG12-L 3P-0500-PNP	30016369	
KA BW08-L 3P-0300-PNP	0301594	
KA BW08-L 3P-0500-PNP	0301502	
KA BW12-L 3P-0300-PNP	0301503	
KA BW12-L 3P-0500-PNP	0301507	
Clip for connector/socket		
CLI-M12	0301464	
CLI-M8	0301463	
Cable extension		
KV BG12-SG12 3P-0030-PNP	0301999	
KV BG12-SG12 3P-0060-PNP	0301998	
KV BW08-SG08 3P-0030-PNP	0301495	
KV BW08-SG08 3P-0100-PNP	0301496	
KV BW08-SG08 3P-0200-PNP	0301497	●
KV BW12-SG12 3P-0030-PNP	0301595	
KV BW12-SG12 3P-0100-PNP	0301596	
KV BW12-SG12 3P-0200-PNP	0301597	
Sensor distributor		
V2-M12	0301776	●
V2-M8	0301775	●
V4-M8	0301746	
V8-M8	0301751	

- ① Two sensors are required per unit for monitoring two positions. On option, extension cables and sensor distributors are available. Additional product variants of the sensor, and further information and technical data can be found in the catalog chapter sensor system.

Flexible position sensor



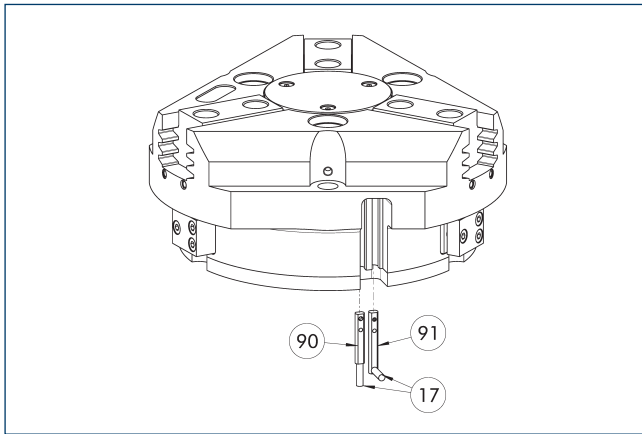
- 90 FPS-S sensor
- 91 FPS-F5 evaluation electronic
- 92 Cable extension

Flexible position monitoring of up to five positions.

Description	ID	
Attachment kit for FPS		
AS-FPS-PGZN-plus 160-1	0301638	
AS-FPS-PGZN-plus 160-2	0301639	
Sensor		
FPS-S M8	0301704	
Evaluation electronics		
FPS-F5	0301805	
Cable extension		
KV BG08-SG08 3P-0050	0301598	
KV BG08-SG08 3P-0100	0301599	

- ① When using an FPS system, an FPS sensor (FPS-S) as well as an electronic processor (FPS-F5 / F5 T) are required for each gripper as well as a mounting kit (AS), if listed. Cable extensions (KV) are optionally available – see catalog chapter "Accessories."

Electronic magnetic switch MMS



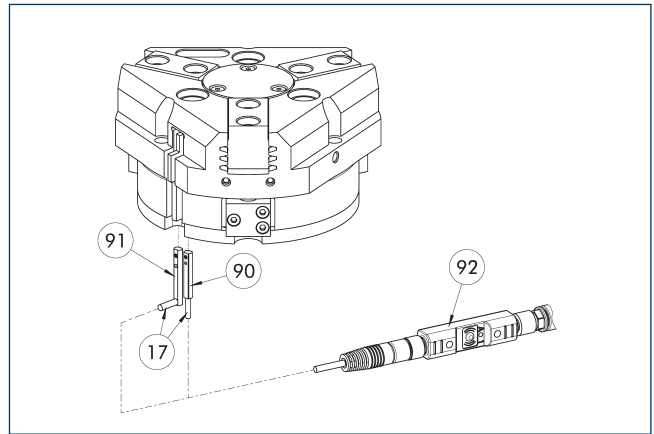
- ⑰ Cable outlet
- ⑲ Sensor MMS 22...-SA
- ① Sensor MMS 22..

End position monitoring for mounting in the C-slot.

Description	ID	Often combined
Electronic magnetic switch		
MMS 22-S-M8-PNP	0301032	●
MMSK 22-S-PNP	0301034	
Electronic magnetic switches with lateral cable outlet		
MMS 22-S-M8-PNP-SA	0301042	●
MMSK 22-S-PNP-SA	0301044	
Reed Switches		
RMS 22-S-M8	0377720	●
Connection cables		
KA BG08-L 3P-0300-PNP	0301622	●
KA BG08-L 3P-0500-PNP	0301623	
KA BW08-L 3P-0300-PNP	0301594	
KA BW08-L 3P-0500-PNP	0301502	
Clip for connector/socket		
CLI-M8	0301463	
Cable extension		
KV BW08-SG08 3P-0030-PNP	0301495	
KV BW08-SG08 3P-0100-PNP	0301496	
KV BW08-SG08 3P-0200-PNP	0301497	●
Sensor distributor		
V2-M8	0301775	●
V4-M8	0301746	
V8-M8	0301751	

① Two sensors are required per unit for monitoring two positions. On option, extension cables and sensor distributors are available. Additional product variants of the sensor, and further information and technical data can be found in the catalog chapter sensor system.

Programmable magnetic switch MMS 22-PI1



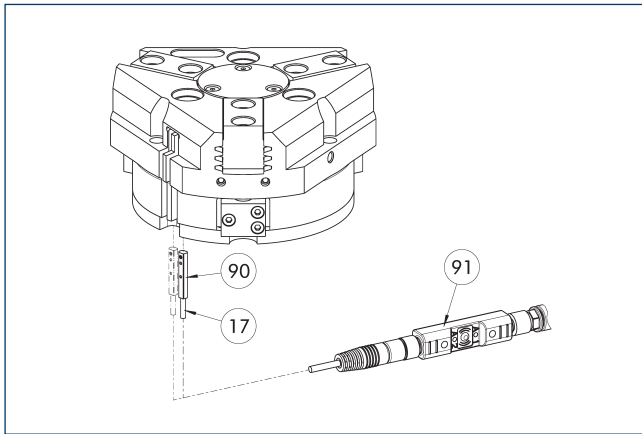
- ⑰ Cable outlet
- ⑲ Sensor MMS 22...-PI1...-SA
- ① Sensor MMS 22 PI1-...
- ② Connector teaching tool ST

Position monitoring with one programmable position per sensor and integrated electronic system in the sensor. Can be programmed using MT magnetic teaching tool (included in the scope of delivery, ID 0301030) or ST plug teaching tool (optional). End position monitoring for mounting in the C-slot. If the ST plug teaching tools are listed in the table provided, teaching is only possible with the ST teaching tools.

Description	ID	Often combined
Programmable magnetic switch		
MMS 22-PI1-S-M8-PNP	0301160	●
MMSK 22-PI1-S-PNP	0301162	
Programmable magnetic switch with lateral cable outlet		
MMS 22-PI1-S-M8-PNP-SA	0301166	●
MMSK 22-PI1-S-PNP-SA	0301168	
Programmable magnetic switch with stainless steel housing		
MMS 22-PI1-S-M8-PNP-HD	0301110	●
MMSK 22-PI1-S-PNP-HD	0301112	
Plug teaching tool		
ST-MMS 22-PI1-PNP	0301025	

① Two sensors are required per unit for monitoring two positions. On option, extension cables and sensor distributors are available. Additional product variants of the sensor, and further information and technical data can be found in the catalog chapter sensor system.

Programmable magnetic switch MMS 22-PI2



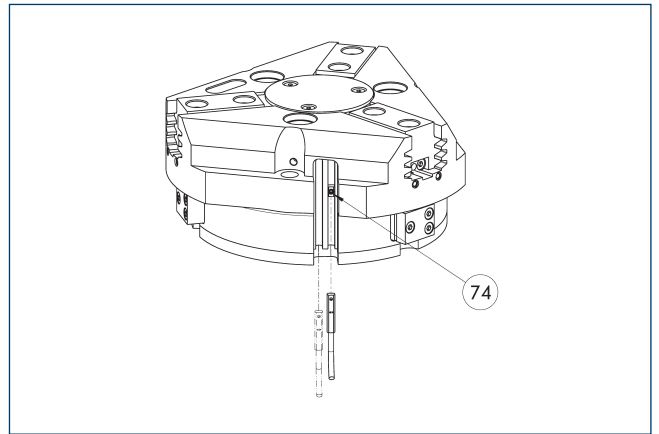
- 17 Cable outlet
- 90 MMS 22...-PI2-... sensor
- 91 Connector teaching tool ST

Position monitoring with two programmable positions per sensor and electronics integrated in the sensor. Can be programmed using MT magnetic teaching tool (included in the scope of delivery, ID 0301030) or ST plug teaching tool (optional). End position monitoring for mounting in the C-slot. If the ST plug teaching tools are listed in the table provided, teaching is only possible with the ST teaching tools.

Description	ID	Often combined
Programmable magnetic switch		
MMS 22-PI2-S-M8-PNP	0301180	●
MMSK 22-PI2-S-PNP	0301182	
Programmable magnetic switch with lateral cable outlet		
MMS 22-PI2-S-M8-PNP-SA	0301186	●
MMSK 22-PI2-S-PNP-SA	0301188	
Programmable magnetic switch with stainless steel housing		
MMS 22-PI2-S-M8-PNP-HD	0301130	●
MMSK 22-PI2-S-PNP-HD	0301132	
Plug teaching tool		
ST-MMS 22-PI2-PNP	0301026	

- ① One sensor is required per unit for monitoring two positions. Extension cables and sensor distributors are optionally available. Additional product variants of the sensor, and further information and technical data can be found in the catalog chapter sensor systems.

MMS-P programmable magnetic switch



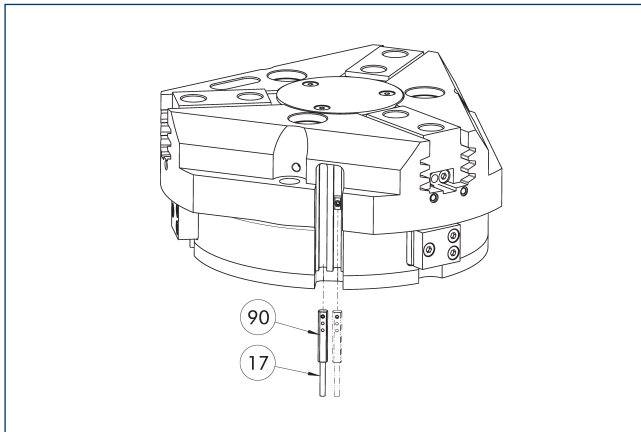
- 74 Limit stop for sensor

Position monitoring with two programmable positions per sensor. End position monitoring for mounting in the C-slot.

Description	ID	Often combined
Programmable magnetic switch		
MMSK-P 22-S-PNP	0301371	
MMS-P 22-S-M8-PNP	0301370	●
Connection cables		
KA GLN0804-LK-00500-A	0307767	●
KA GLN0804-LK-01000-A	0307768	
KA WLN0804-LK-00500-A	0307765	
KA WLN0804-LK-01000-A	0307766	
Clip for connector/socket		
CLI-M8	0301463	
Sensor distributor		
V2-M8-4P-2XM8-3P	0301380	

- ① One sensor is required per unit for monitoring two positions. Extension cables and sensor distributors are optionally available. Additional product variants of the sensor, and further information and technical data can be found in the catalog chapter sensor systems.

Programmable magnetic switch MMS-IO-Link



17 Cable outlet

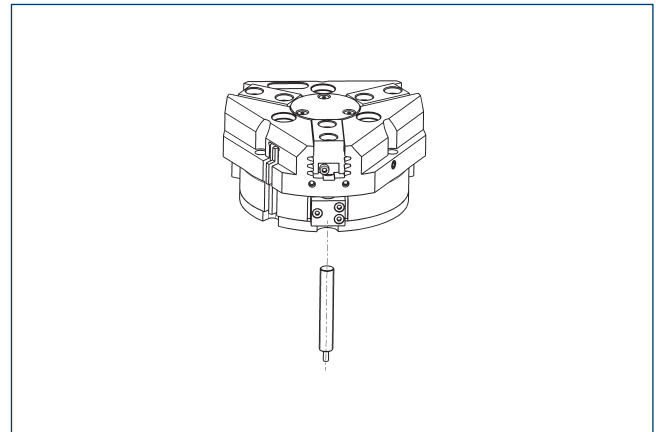
90 Sensor MMS 22-IO-Link...

Sensor for multi-position monitoring through detection of the complete gripper stroke. The sensor is mounted directly in the C-slot of the gripper. The sensor is programmed for the gripper via the IO-Link interface or the ST plug teaching tool (not included in scope of delivery; ID 0301026). It is not possible to program the sensor using the Magnet teaching tool MT. An IO-Link master is required for operation.

Description	ID
Programmable magnetic switch	
MMS 22-IO-Link-M08	0315830
MMS 22-IO-Link-M12	0315835

- ① One sensor is required for each gripper. No additional mounting kit is required – the gripper is equipped for use of the sensor by default. Further information and technical data can be found in the catalog chapter sensor systems.

APS-Z80 analog position sensor

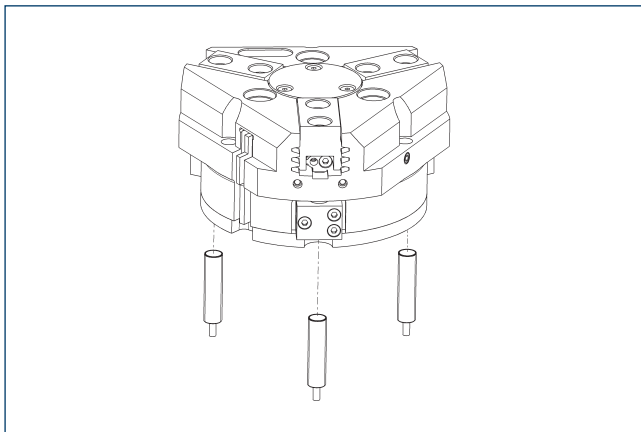


Non-contact measuring, analog multi-position monitoring for any number of positions.

Description	ID	Often combined
Mounting kit for APS-Z80		
AS-APS-Z80-PGZN-plus 160-1/200-2/240-2	0302113	
AS-APS-Z80-PGZN-plus 160-2	0302114	
Analog position sensor		
APS-Z80-K	0302072	
APS-Z80-M8	0302070	●

- ① When using an APS system, one mounting kit (AS-APS-Z80) and one APS-Z80 sensor is required per gripper. The resolution of the sensor can be lower in the peripheral areas of the gripper. You can find further information on the product in the operating manual.

Cylindrical reed switches



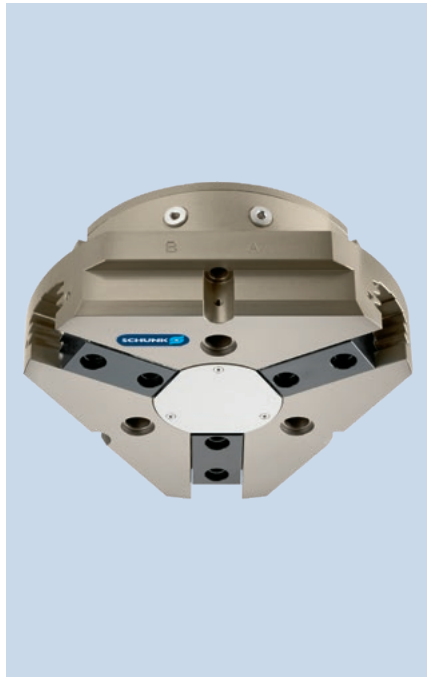
End position monitoring can be mounted with an attachment kit.

Description	ID
Attachment kit for proximity switch	
AS-RMS 80 PGN/PZN-plus 160-380	0377727
Reed Switches	
RMS 80-S-M8	0377721

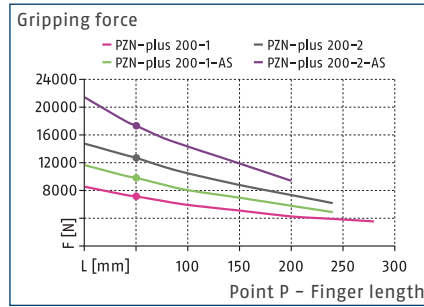
- ① Two sensors (closer/S) are required for each unit and extension cables are available as an option. This attachment kit needs to be ordered optionally as an accessory. Two mounting kits are required for each gripper. For sensor cables, note the minimum permissible bending radii. These are generally 35 mm.

PZN-plus 200

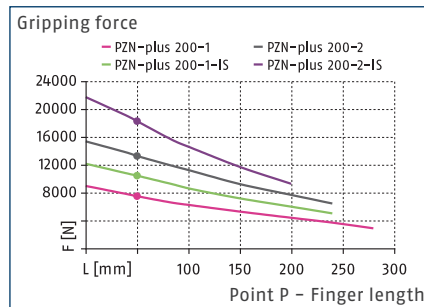
Universal gripper



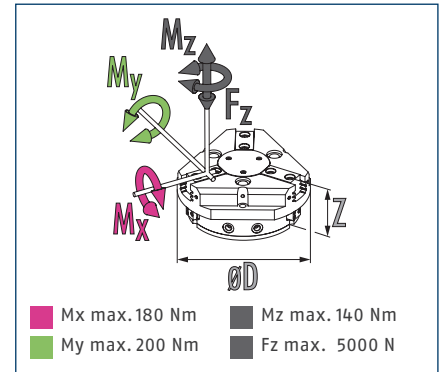
Gripping force O.D. gripping



Gripping force I.D. gripping



Dimensions and maximum loads



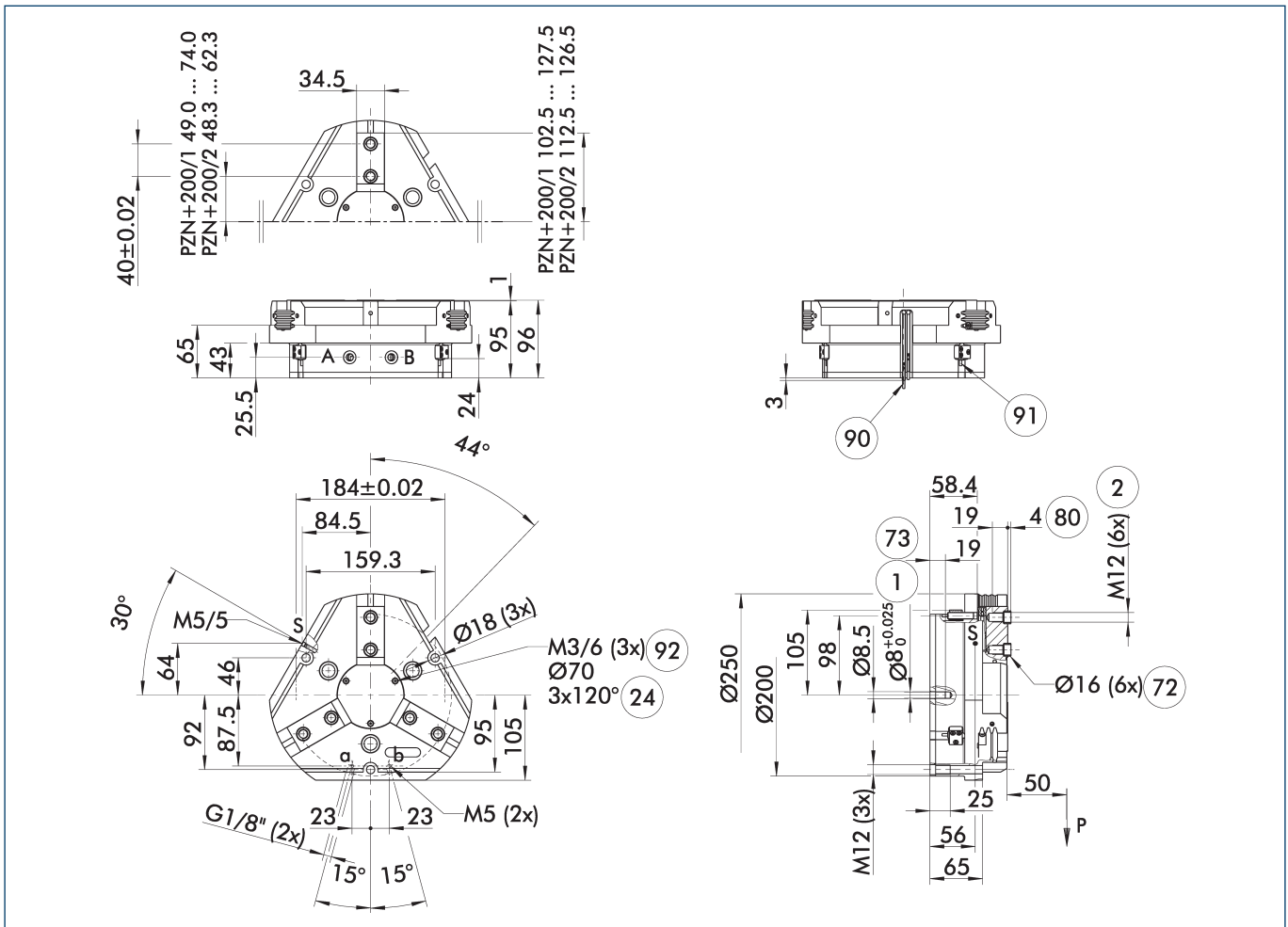
① The indicated moments and forces are static values, apply for each base jaw and may appear simultaneously. Loads may additionally occur to the moment produced by the gripping force itself.

Technical data

Description		PZN-plus 200-1	PZN-plus 200-2	PZN-plus 200-1-AS	PZN-plus 200-2-AS	PZN-plus 200-1-IS	PZN-plus 200-2-IS
ID		0303315	0303415	0303515	0303615	0303545	0303645
Stroke per jaw	[mm]	25	14	25	14	25	14
Closing/opening force	[N]	7100/7540	12700/13330	9800/-	17380/-	-/10500	-/18330
Min. spring force	[N]			2700	4680	2960	5000
Weight	[kg]	11	11	15.7	15.7	15.7	15.7
Recommended workpiece weight	[kg]	35.5	63.5	35.5	63.5	35.5	63.5
Cylinder volume per double stroke	[cm ³]	1040	1040	1725	1725	1725	1725
Min./nom./max. operating pressure	[bar]	2/6/8	2/6/8	4/6/6.5	4/6/6.5	4/6/6.5	4/6/6.5
Min./max. air purge pressure	[bar]	0.5/1	0.5/1	0.5/1	0.5/1	0.5/1	0.5/1
Closing/opening time	[s]	1.2/1.2	1.2/1.2	1/1.5	1/1.5	1.5/1	1.5/1
Closing/opening time with spring	[s]			1.50	1.50	1.50	1.50
Max. permissible finger length	[mm]	280	240	240	200	240	200
Max. permissible weight per finger	[kg]	6.5	6.5	6.5	6.5	6.5	6.5
IP protection class		40	40	40	40	40	40
Min./max. ambient temperature	[°C]	5/90	5/90	5/90	5/90	5/90	5/90
Repeat accuracy	[mm]	0.05	0.05	0.05	0.05	0.05	0.05
Dimensions Ø D x Z	[mm]	250 x 96	250 x 96	250 x 132	250 x 132	250 x 132	250 x 132
Options and their characteristics							
Dustproof version		37303315	37303415	37303515	37303615	37303545	37303645
IP protection class		64	64	64	64	64	64
Weight	[kg]	12	12	16.7	16.7	16.7	16.7
Corrosion-protected version		38303315	38303415	38303515	38303615	38303545	38303645
High-temperature version		39303315	39303415	39303515	39303615	39303545	39303645
Min./max. ambient temperature	[°C]	5/130	5/130	5/130	5/130	5/130	5/130
Precision version		0303345	0303445	0303495	0303595		

① It may take a few 100 gripping cycles until the full gripping force (as indicated in the data table) will be available.

Main view



The drawing shows the gripper in the basic version with closed jaws, without dimensional consideration of the options described below.

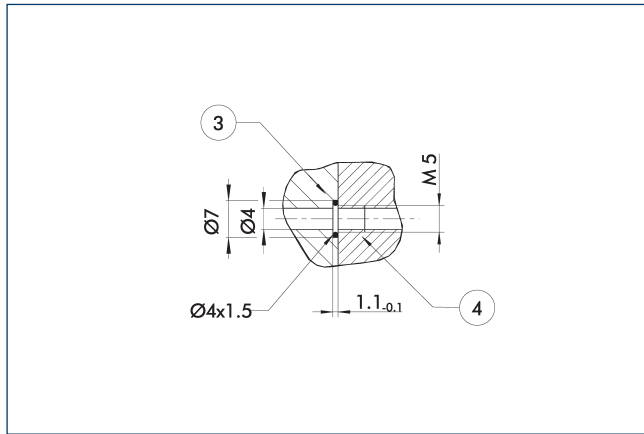
① As an alternative/in addition to spring-assisted mechanical gripping force maintenance, the SDV-P pressure maintenance valve can be used for I.D. and O.D. gripping (see "Accessories" section of catalog).

- | | |
|--|--|
| A, a Main / direct connection, gripper opening | ⑦② Fit for centering sleeves |
| B, b Main / direct connection, gripper closing | ⑦③ Fit for centering pins |
| S Air purge connection | ⑧① Depth of the centering sleeve hole in the counter part |
| ① Gripper connection | ⑨① Sensor MMS 22.. |
| ② Finger connection | ⑨① Sensor IN ... |
| ②④ Bolt circle | ⑨② Thread below the cover for fastening external attachments |

PZN-plus 200

Universal gripper

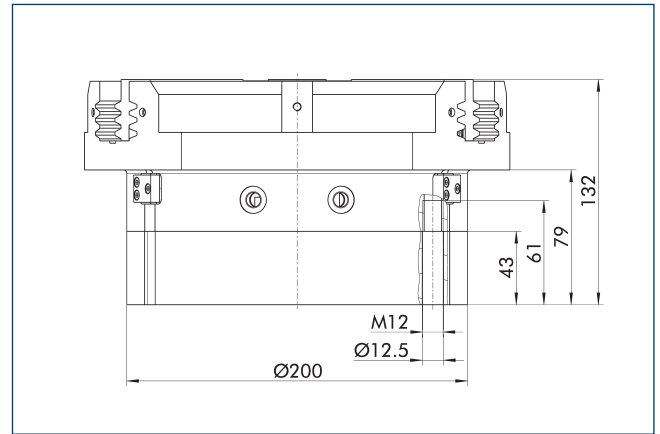
Hose-free direct connection M5



- ③ Adapter
- ④ Grippers

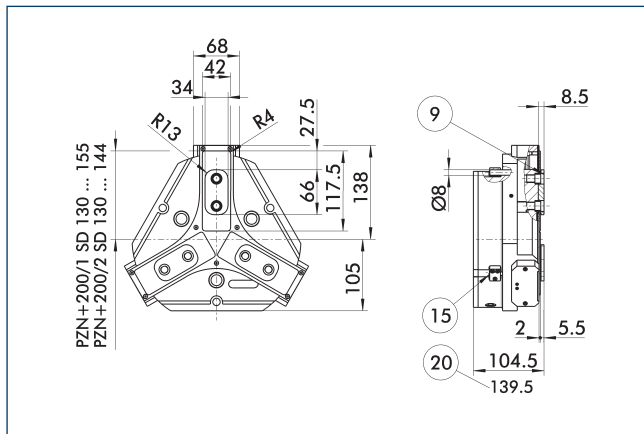
The direct connection is used for supplying compressed air without hoses. Instead, the pressure medium is fed through bore-holes in the mounting plate.

Gripping force maintenance version AS/IS



The mechanical gripping force maintenance device ensures that a minimum clamping force will be applied even if there is a drop in pressure. In the AS/IS variant this acts as a closing force, in the IS variant as an opening force. Besides this, gripping force maintenance can be used to increase gripping force or for single actuated gripping.

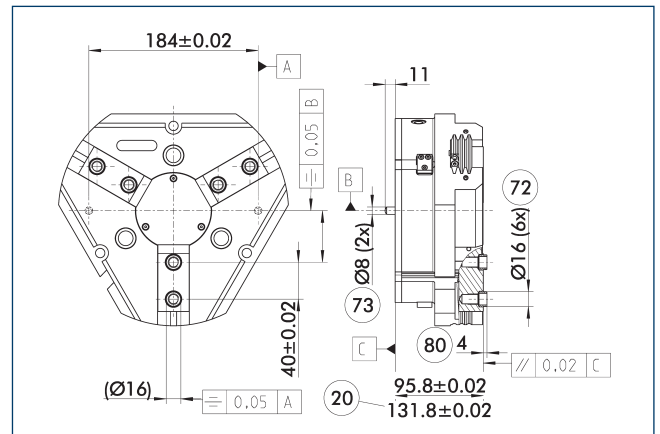
Dustproof version



- ⑨ For mounting screw connection diagram, see basic version
- ⑮ Sealing bolt
- ⑳ For version AS/IS

The "dustproof" option increases the degree of protection against penetrating substances. The assembly diagram shifts by the height of the intermediate jaw. The finger length is still measured from the upper edge of the gripper housing.

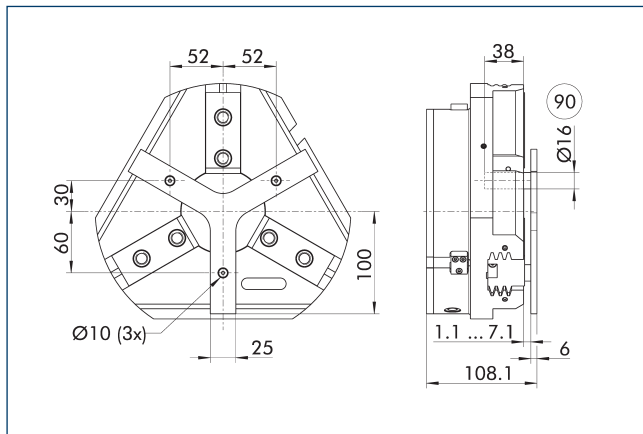
Precision version



- ⑳ For version AS/IS
- ⑦③ Fit for centering pins
- ⑦② Fit for centering sleeves
- ⑧① Depth of the centering sleeve hole in the counter part

The indicated tolerances just refer to the variants of precision versions shown in the chart of technical specifications. All other variants of precision versions are available on request.

Spring-loaded pressure piece



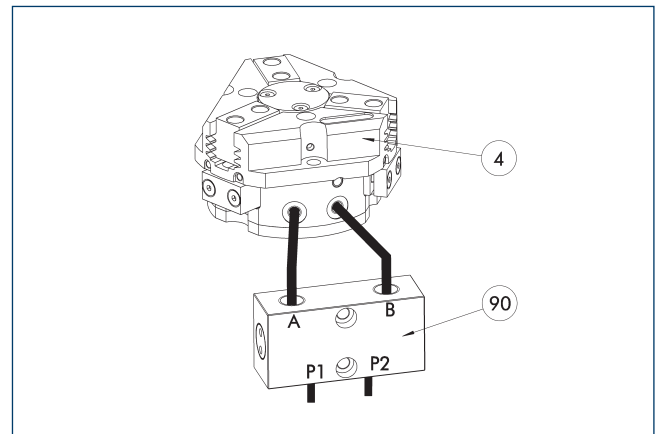
⑨⑩ Guide pin

For spring-supported positioning of the workpiece against a stop after the gripper has opened. Especially developed for loading machines.

Description	ID	Stroke [mm]	Min. force [N]
Spring-loaded pressure piece			
A-PZN-plus/DPZ-plus 200	0303725	6	200

ⓘ The pressure piece cannot be combined with the dustproof option. Please contact us if you require a customized pressure piece.

SDV-P pressure maintenance valve



④ Grippers

⑨⑩ SDV-P pressure maintenance valve

The SDV-P pressure maintenance valve ensures in emergency STOP situations that the pressure in the piston chamber of pneumatic gripper, swivel, linear, and quick-change modules is temporarily maintained.

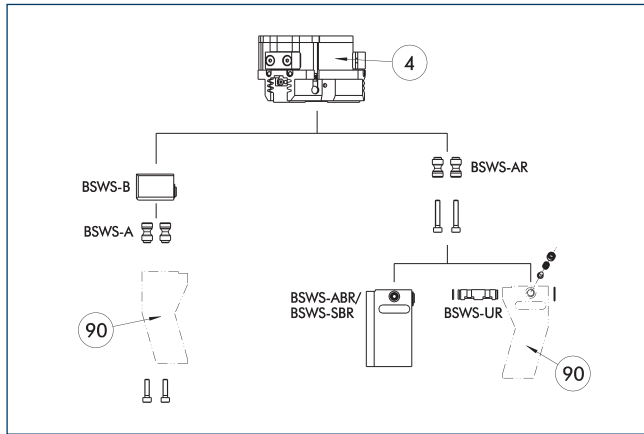
Description	ID	Recommended hose diameter [mm]
Pressure maintenance valve		
SDV-P 04	0403130	6
SDV-P 07	0403131	8
Pressure maintenance valve with air bleed screw		
SDV-P 04-E	0300120	6
SDV-P 07-E	0300121	8

ⓘ In order to achieve the specified closing and opening time for each gripper variant, the recommended hose diameter must be used. The direct allocation of the respective variant of the gripper for the respective SDV-P can be found at schunk.com.

PZN-plus 200

Universal gripper

BSWS jaw quick-change jaw systems



④ Grippers ⑨0 Customized gripper fingers

There are various jaw quick-change systems available for the gripper. For detailed information, please refer to the corresponding product.

Description	ID	Scope of delivery
Jaw quick-change system adapter pin		
BSWS-A 200	0303032	2
BSWS-AR 200	1453341	2
Quick-change jaw system base		
BSWS-B 200	0303033	1
Jaw quick-change system		
BSWS-ABR-PGZN-plus 200	1453347	1
BSWS-UR 200	1451606	1

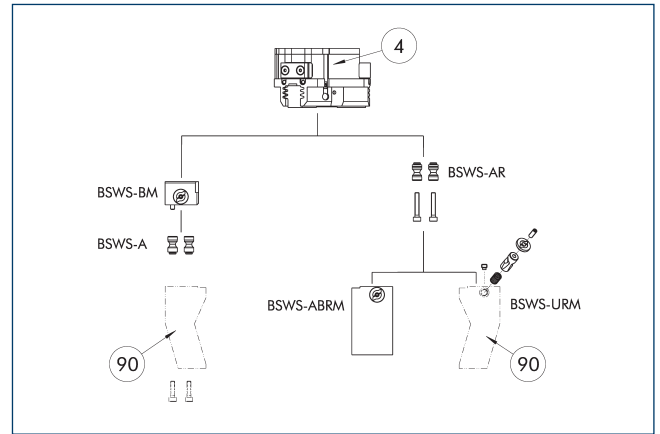
① If the operating pressure is higher than 6 bar, suitability for use beyond the application limits must be checked. Only systems that are listed in the table, can be used.

Fields of application

Series	Size	Variant	Suitability
PZN-plus	200	-1 (6 bar)	■■■■■
PZN-plus	200	-1-AS/1-IS (6 bar)	■■■■■
PZN-plus	200	-2 (6 bar)	■■□□
PZN-plus	200	-2-AS/2-IS (6 bar)	■■□□
Legend			
■■■■■	Can be combined without restrictions		
■■□□	Use with restrictions (see loading limits)		
□□□□	cannot be combined		

The load limits for describing the application limits can be found in the catalog chapter of the corresponding accessories.

Jaw quick-change system BSWS-M



④ Grippers ⑨0 Customized gripper fingers

There are various jaw quick-change systems available for the gripper. For detailed information, please refer to the corresponding product.

Description	ID	Scope of delivery
Quick-change jaw system base		
BSWS-BM 200	1419306	1
Jaw quick-change system adapter pin		
BSWS-A 200	0303032	2

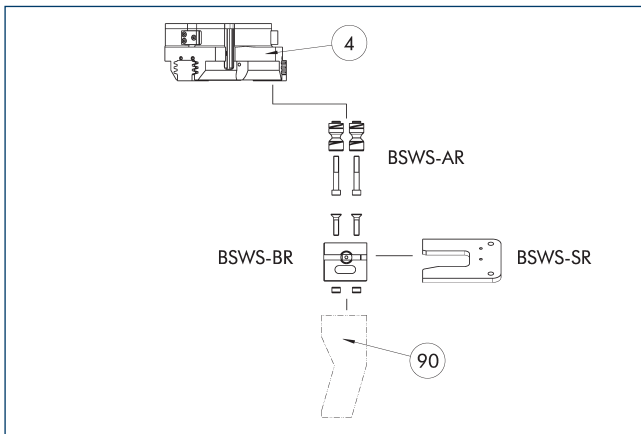
① If the operating pressure is higher than 6 bar, suitability for use beyond the application limits must be checked. Only systems that are listed in the table, can be used.

Fields of application

Series	Size	Variant	Suitability
PZN-plus	200	-1 (6 bar)	■■■■■
PZN-plus	200	-1-AS/1-IS (6 bar)	■■■■■
PZN-plus	200	-2 (6 bar)	■■□□
PZN-plus	200	-2-AS/2-IS (6 bar)	■■□□
Legend			
■■■■■	Can be combined without restrictions		
■■□□	Use with restrictions (see loading limits)		
□□□□	cannot be combined		

The load limits for describing the application limits can be found in the catalog chapter of the corresponding accessories.

Jaw quick-change system BSWS-R



④ Grippers

⑨⑩ Customized gripper fingers

If the operating pressure is higher than 6 bar, suitability for use beyond the application limits must be checked. Only systems that are listed in the table, can be used.

Description	ID	Scope of delivery
Jaw quick-change system adapter pin		
BSWS-AR 200	1453341	2
Quick-change jaw system base		
BSWS-BR 200	1555942	1
Storage system		
BSWS-SR 200	1555976	1
Attachment kit for proximity switch		
AS-IN80-BSWS-SR 200	1561469	1
Inductive proximity switch		
IN 80-S-M12	0301578	
IN 80-S-M8	0301478	
INK 80-S	0301550	

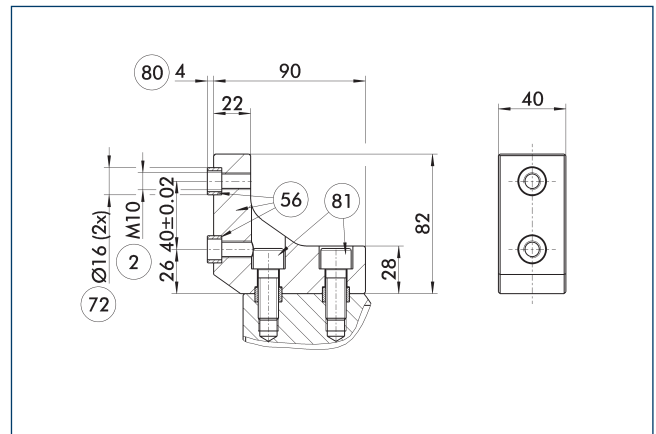
① Only systems that are listed in the table, can be used.

Fields of application

Series	Size	Variant	Suitability
PZN-plus	200	-1 (6 bar)	■■■■
PZN-plus	200	-1-AS/1-IS (6 bar)	■■■■
PZN-plus	200	-2 (6 bar)	■■□□
PZN-plus	200	-2-AS/2-IS (6 bar)	■■□□
Legend			
■■■■	Can be combined without restrictions		
■■□□	Use with restrictions (see loading limits)		
□□□□	cannot be combined		

The load limits for describing the application limits can be found in the catalog chapter of the corresponding accessories.

ZBA-L-plus 200 intermediate jaws



② Finger connection

⑤⑥ Included in the scope of delivery

⑦② Fit for centering sleeves

⑧⑩ Depth of the centering sleeve hole in the counter part

⑧① Not included in the scope of delivery

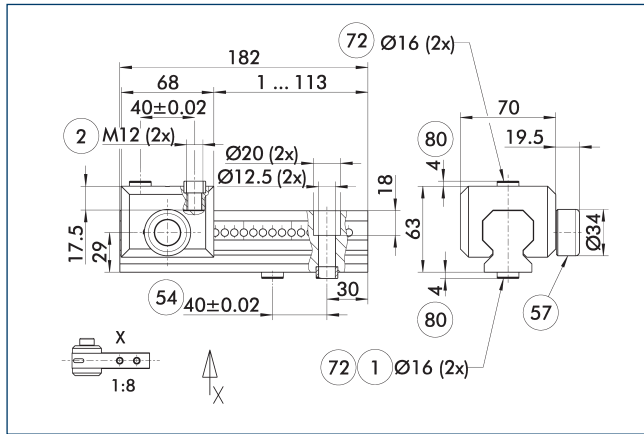
Optionally intermediate jaws can be used, enabling direct connection and alignment of top jaws and various standard accessories in Z-direction.

Description	ID	Material	Finger interface	Scope of delivery
Intermediate jaw				
ZBA-L-plus 200	0311772	Aluminum	PGN-plus 200	1

PZN-plus 200

Universal gripper

UZB 200 universal intermediate jaw



- ① Gripper connection
- ② Finger connection
- ⑤4 Optional right or left connection
- ⑤7 Locking
- ⑦2 Fit for centering sleeves
- ⑧0 Depth of the centering sleeve hole in the counter part

The drawing shows the UZB universal intermediate jaw. The fully removable UZB-S slide (can also be ordered separately) allows for a quick jaw change.

Description	ID	Grid dimension [mm]
Universal intermediate jaw		
UZB 200	0300047	7
Finger blank		
ABR-PGZN-plus 200	0300015	
SBR-PGZN-plus 200	0300025	
Slide for universal intermediate jaw		
UZB-S 200	5518275	7

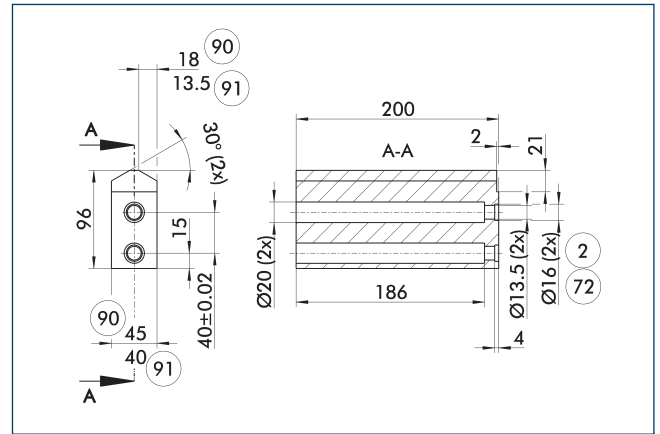
① If the operating pressure is higher than 6 bar, suitability for use beyond the application limits must be checked.

Fields of application

Series	Size	Variant	Suitability
PZN-plus	200	-1 (6 bar)	■■■■
PZN-plus	200	-1-AS/1-IS (6 bar)	■■■□
PZN-plus	200	-2 (6 bar)	□□□□
PZN-plus	200	-2-AS/2-IS (6 bar)	□□□□
Legend			
■■■■	Can be combined without restrictions		
■■■□	Use with restrictions (see loading limits)		
□□□□	cannot be combined		

The load limits for describing the application limits can be found in the catalog chapter of the corresponding accessories.

Finger blanks ABR/SBR-PGZN-plus 200

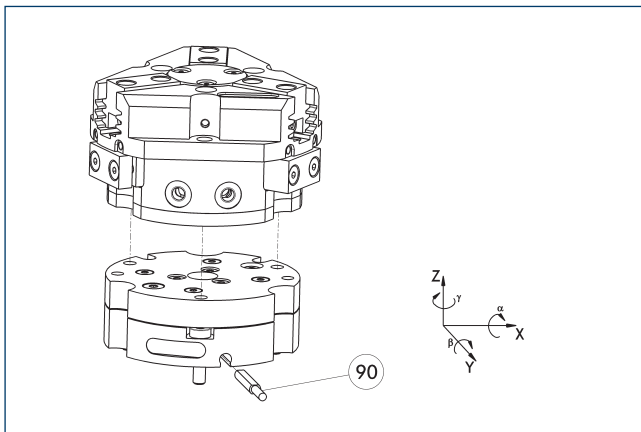


- ② Finger connection
- ⑦2 Fit for centering sleeves
- ⑨0 ABR-PGZN-plus
- ⑨1 SBR-PGZN-plus

The drawing shows the finger blank which can be reworked by the customer.

Description	ID	Material	Scope of delivery
Finger blank			
ABR-PGZN-plus 200	0300015	Aluminum (3.4365)	1
SBR-PGZN-plus 200	0300025	Steel (1.7131)	1

Tolerance compensation unit TCU

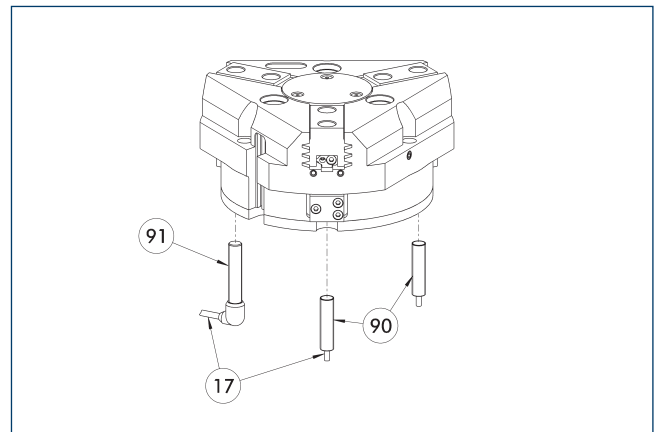


90 Monitoring of locking

Grippers can be directly mounted without an adapter plate. Tolerance compensation unit and gripper have an identical screw connection diagram. Therefore the tolerance compensation units can be assembled later. Please consider the additional assembly height of the tolerance compensation unit. For details please refer to our catalog robot accessories.

Description	ID	Locking	Deflection	Often combined
Compensation unit				
TCU-Z-200-3-MV	0324856	yes	$\pm 1^\circ/\pm 1^\circ/\pm 1^\circ$	●
TCU-Z-200-3-0V	0324857	no	$\pm 1^\circ/\pm 1^\circ/\pm 1^\circ$	

Inductive proximity switches



17 Cable outlet

90 Sensor IN ...

91 Sensor IN...-SA

Directly mounted end position monitoring.

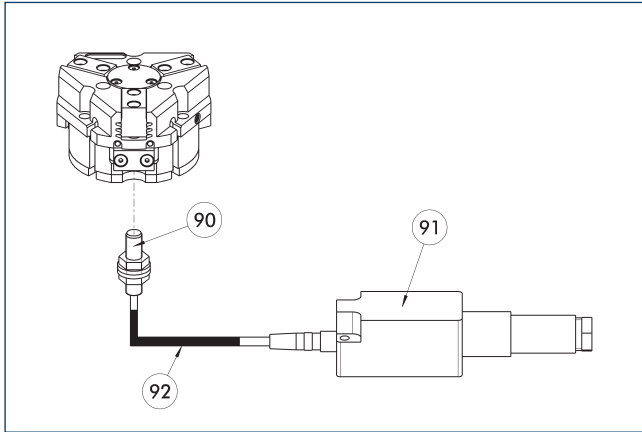
Description	ID	Often combined
Inductive proximity switch		
IN 80-S-M12	0301578	
IN 80-S-M8	0301478	●
INK 80-S	0301550	
Inductive proximity switch with lateral cable outlet		
IN 80-S-M12-SA	0301587	
IN 80-S-M8-SA	0301483	●
INK 80-S-SA	0301566	
Connection cables		
KA BG08-L 3P-0300-PNP	0301622	●
KA BG08-L 3P-0500-PNP	0301623	
KA BG12-L 3P-0500-PNP	30016369	
KA BW08-L 3P-0300-PNP	0301594	
KA BW08-L 3P-0500-PNP	0301502	
KA BW12-L 3P-0300-PNP	0301503	
KA BW12-L 3P-0500-PNP	0301507	
Clip for connector/socket		
CLI-M12	0301464	
CLI-M8	0301463	
Cable extension		
KV BG12-SG12 3P-0030-PNP	0301999	
KV BG12-SG12 3P-0060-PNP	0301998	
KV BW08-SG08 3P-0030-PNP	0301495	
KV BW08-SG08 3P-0100-PNP	0301496	
KV BW08-SG08 3P-0200-PNP	0301497	●
KV BW12-SG12 3P-0030-PNP	0301595	
KV BW12-SG12 3P-0100-PNP	0301596	
KV BW12-SG12 3P-0200-PNP	0301597	
Sensor distributor		
V2-M12	0301776	●
V2-M8	0301775	●
V4-M8	0301746	
V8-M8	0301751	

- ① Two sensors are required per unit for monitoring two positions. On option, extension cables and sensor distributors are available. Additional product variants of the sensor, and further information and technical data can be found in the catalog chapter sensor system.

PZN-plus 200

Universal gripper

Flexible position sensor



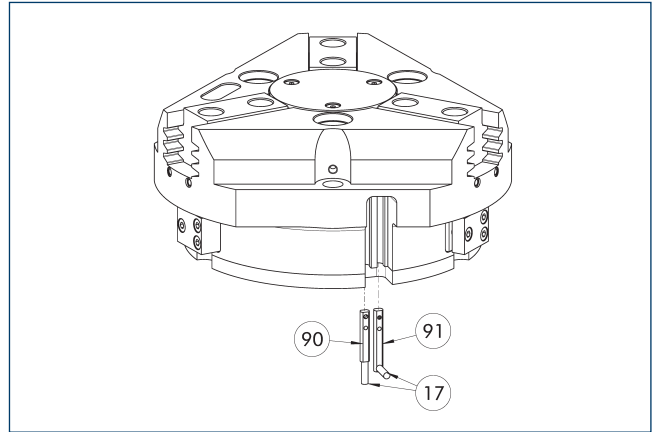
- 90 FPS-S sensor
- 91 FPS-F5 evaluation electronic
- 92 Cable extension

Flexible position monitoring of up to five positions.

Description	ID	
Attachment kit for FPS		
AS-FPS-PGZN-plus 200-1	0301640	
AS-FPS-PGZN-plus 200-2	0301641	
Sensor		
FPS-S M8	0301704	
Evaluation electronics		
FPS-F5	0301805	
Cable extension		
KV BG08-SG08 3P-0050	0301598	
KV BG08-SG08 3P-0100	0301599	

- ① When using an FPS system, an FPS sensor (FPS-S) as well as an electronic processor (FPS-F5 / F5 T) are required for each gripper as well as a mounting kit (AS), if listed. Cable extensions (KV) are optionally available – see catalog chapter "Accessories."

Electronic magnetic switch MMS



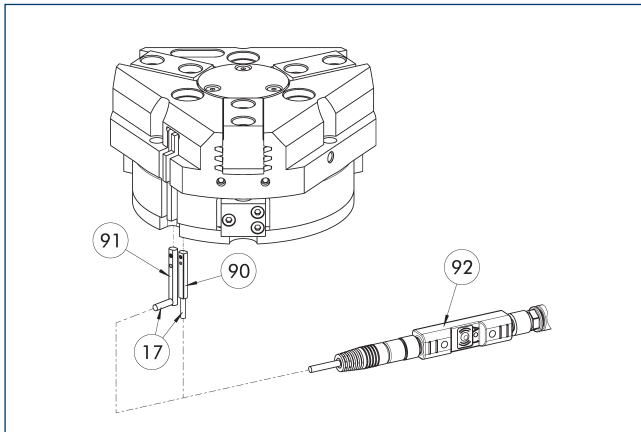
- 17 Cable outlet
- 90 Sensor MMS 22..
- 91 Sensor MMS 22...-SA

End position monitoring for mounting in the C-slot.

Description	ID	Often combined
Electronic magnetic switch		
MMS 22-S-M8-PNP	0301032	●
MMSK 22-S-PNP	0301034	
Electronic magnetic switches with lateral cable outlet		
MMS 22-S-M8-PNP-SA	0301042	●
MMSK 22-S-PNP-SA	0301044	
Reed Switches		
RMS 22-S-M8	0377720	●
Connection cables		
KA BG08-L 3P-0300-PNP	0301622	●
KA BG08-L 3P-0500-PNP	0301623	
KA BW08-L 3P-0300-PNP	0301594	
KA BW08-L 3P-0500-PNP	0301502	
Clip for connector/socket		
CLI-M8	0301463	
Cable extension		
KV BW08-SG08 3P-0030-PNP	0301495	
KV BW08-SG08 3P-0100-PNP	0301496	
KV BW08-SG08 3P-0200-PNP	0301497	●
Sensor distributor		
V2-M8	0301775	●
V4-M8	0301746	
V8-M8	0301751	

- ① Two sensors are required per unit for monitoring two positions. On option, extension cables and sensor distributors are available. Additional product variants of the sensor, and further information and technical data can be found in the catalog chapter sensor system.

Programmable magnetic switch MMS 22-PI1



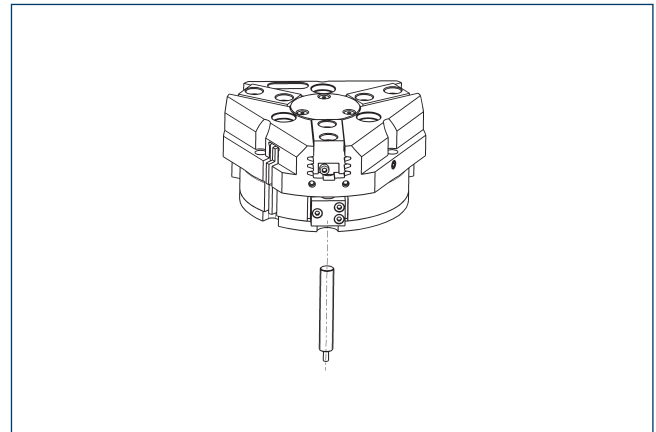
- ①⑦ Cable outlet
- ①⑨ Sensor MMS 22 ..-PI1-...-SA
- ①⑩ Sensor MMS 22 PI1-...
- ①⑪ Connector teaching tool ST

Position monitoring with one programmable position per sensor and integrated electronic system in the sensor. Can be programmed using MT magnetic teaching tool (included in the scope of delivery, ID 0301030) or ST plug teaching tool (optional). End position monitoring for mounting in the C-slot. If the ST plug teaching tools are listed in the table provided, teaching is only possible with the ST teaching tools.

Description	ID	Often combined
Programmable magnetic switch		
MMS 22-PI1-S-M8-PNP	0301160	●
MMSK 22-PI1-S-PNP	0301162	
Programmable magnetic switch with lateral cable outlet		
MMS 22-PI1-S-M8-PNP-SA	0301166	●
MMSK 22-PI1-S-PNP-SA	0301168	
Programmable magnetic switch with stainless steel housing		
MMS 22-PI1-S-M8-PNP-HD	0301110	●
MMSK 22-PI1-S-PNP-HD	0301112	
Plug teaching tool		
ST-MMS 22-PI1-PNP	0301025	

- ① Two sensors are required per unit for monitoring two positions. On option, extension cables and sensor distributors are available. Additional product variants of the sensor, and further information and technical data can be found in the catalog chapter sensor system.

APS-Z80 analog position sensor



Non-contact measuring, analog multi-position monitoring for any number of positions.

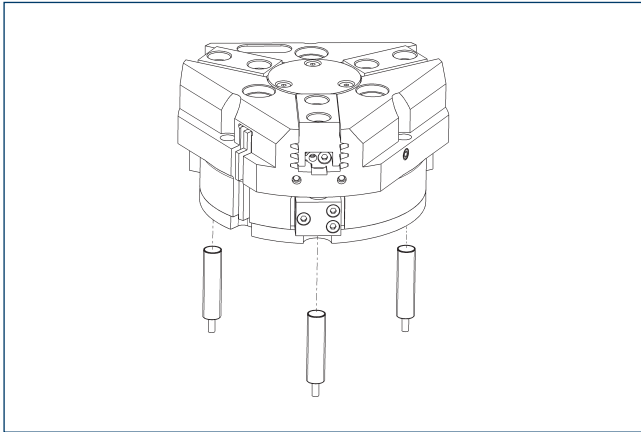
Description	ID	Often combined
Mounting kit for APS-Z80		
AS-APS-Z80-PGZN-plus 160-1/200-2/240-2	0302113	
AS-APS-Z80-PGZN-plus 200-1	0302115	
Analog position sensor		
APS-Z80-K	0302072	
APS-Z80-M8	0302070	●

- ① When using an APS system, one mounting kit (AS-APS-Z80) and one APS-Z80 sensor is required per gripper. The resolution of the sensor can be lower in the peripheral areas of the gripper. You can find further information on the product in the operating manual.

PZN-plus 200

Universal gripper

Cylindrical reed switches



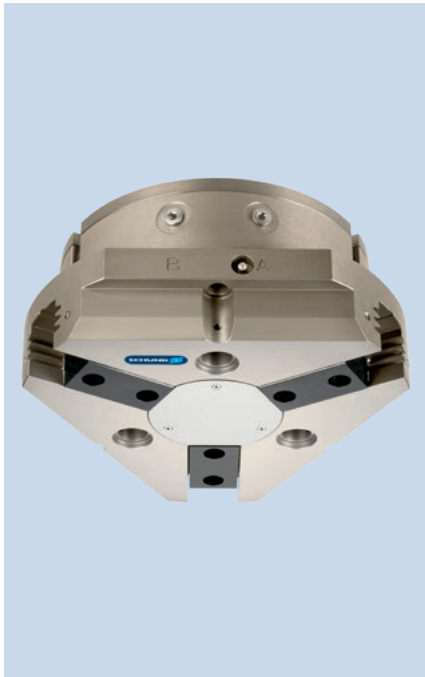
End position monitoring can be mounted with an attachment kit.

Description	ID	
Attachment kit for proximity switch		
AS-RMS 80 PGN/PZN-plus 160-380	0377727	
Reed Switches		
RMS 80-S-M8	0377721	

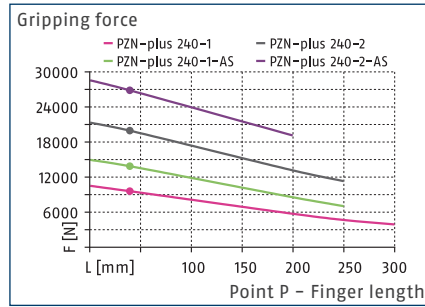
① Two sensors (closer/S) are required for each unit and extension cables are available as an option. This attachment kit needs to be ordered optionally as an accessory. Two mounting kits are required for each gripper. For sensor cables, note the minimum permissible bending radii. These are generally 35 mm.

PZN-plus 240

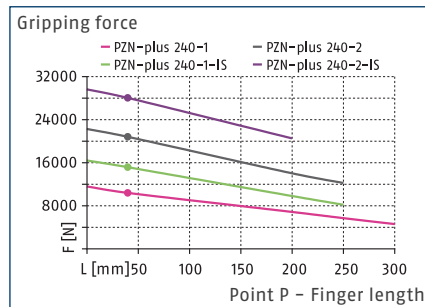
Universal gripper



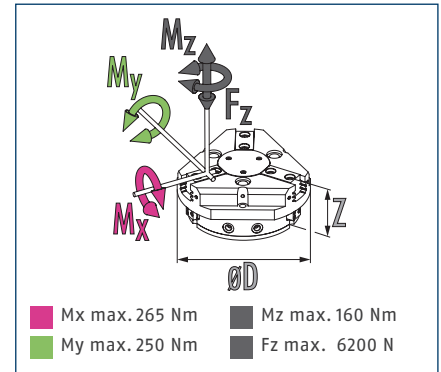
Gripping force O.D. gripping



Gripping force I.D. gripping



Dimensions and maximum loads



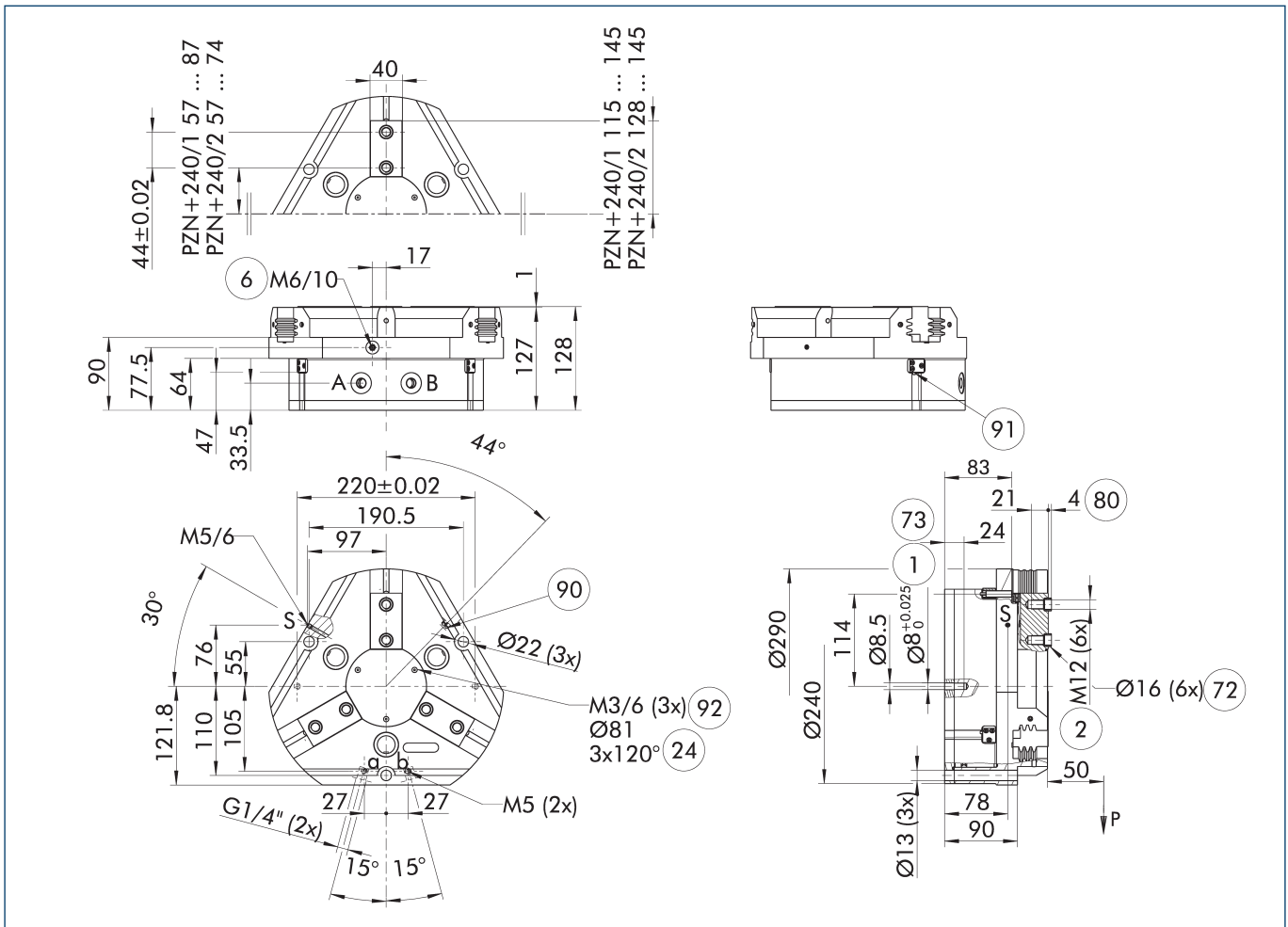
① The indicated moments and forces are static values, apply for each base jaw and may appear simultaneously. Loads may additionally occur to the moment produced by the gripping force itself.

Technical data

Description		PZN-plus 240-1	PZN-plus 240-2	PZN-plus 240-1-AS	PZN-plus 240-2-AS	PZN-plus 240-1-IS	PZN-plus 240-2-IS
ID		0303316	0303416	0303516	0303616	0303546	0303646
Stroke per jaw	[mm]	30	17	30	17	30	17
Closing/opening force	[N]	9500/10400	19700/20800	13720/-	26500/-	-/15170	-/28000
Min. spring force	[N]			4220	6800	4770	7200
Weight	[kg]	20	20	24	24	24	24
Recommended workpiece weight	[kg]	50	100.5	50	100.5	50	100.5
Cylinder volume per double stroke	[cm ³]	1780	1780	3090	3090	3090	3090
Min./nom./max. operating pressure	[bar]	2/6/8	2/6/8	4/6/6.5	4/6/6.5	4/6/6.5	4/6/6.5
Min./max. air purge pressure	[bar]	0.5/1	0.5/1	0.5/1	0.5/1	0.5/1	0.5/1
Closing/opening time	[s]	1.25/1.25	1.25/1.25	1.1/2.1	1.1/2.1	1.7/1.1	1.7/1.1
Closing/opening time with spring	[s]			2.00	2.00	2.00	2.00
Max. permissible finger length	[mm]	300	250	250	200	250	200
Max. permissible weight per finger	[kg]	8.5	8.5	8.5	8.5	8.5	8.5
IP protection class		40	40	40	40	40	40
Min./max. ambient temperature	[°C]	5/90	5/90	5/90	5/90	5/90	5/90
Repeat accuracy	[mm]	0.05	0.05	0.05	0.05	0.05	0.05
Dimensions Ø D x Z	[mm]	290 x 128	290 x 128	290 x 172	290 x 172	290 x 172	290 x 172
Options and their characteristics							
Dustproof version		37303316	37303416	37303516	37303616	37303546	37303646
IP protection class		64	64	64	64	64	64
Weight	[kg]	21.5	21.5	25.5	25.5	25.5	25.5
Corrosion-protected version		38303316	38303416	38303516	38303616	38303546	38303646
High-temperature version		39303316	39303416	39303516	39303616	39303546	39303646
Min./max. ambient temperature	[°C]	5/130	5/130	5/130	5/130	5/130	5/130
Precision version		0303346	0303446	0303496	0303596		

① It may take a few 100 gripping cycles until the full gripping force (as indicated in the data table) will be available.

Main view



The drawing shows the gripper in the basic version with closed jaws, without dimensional consideration of the options described below.

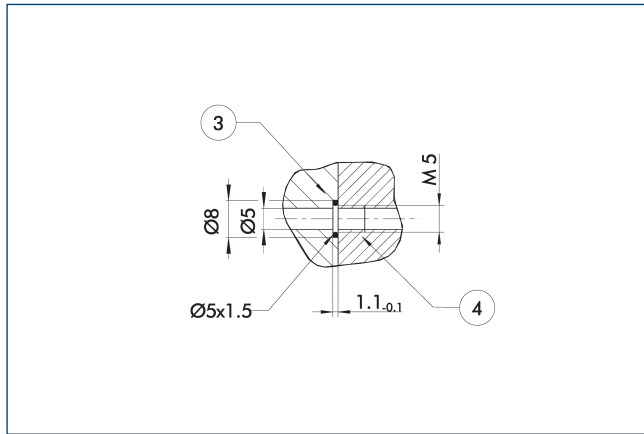
① As an alternative/in addition to spring-assisted mechanical gripping force maintenance, the SDV-P pressure maintenance valve can be used for I.D. and O.D. gripping (see "Accessories" section of catalog).

- | | |
|--|--|
| A, a Main / direct connection, gripper opening | ⑦② Fit for centering sleeves |
| B, b Main / direct connection, gripper closing | ⑦③ Fit for centering pins |
| S Air purge connection | ⑧① Depth of the centering sleeve hole in the counter part |
| ① Gripper connection | ⑨① Sensor MMS 22.. |
| ② Finger connection | ⑨② Sensor IN ... |
| ⑥ Lubricating nipple connection | ⑨③ Thread below the cover for fastening external attachments |
| ②④ Bolt circle | |

PZN-plus 240

Universal gripper

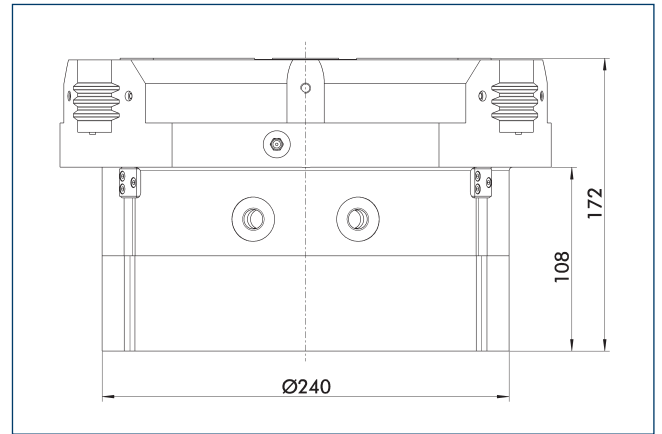
Hose-free direct connection M5



- ③ Adapter
- ④ Grippers

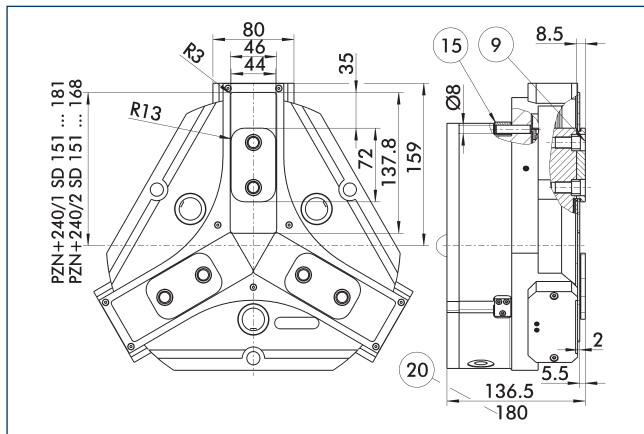
The direct connection is used for supplying compressed air without hoses. Instead, the pressure medium is fed through bore-holes in the mounting plate.

Gripping force maintenance version AS/IS



The mechanical gripping force maintenance device ensures that a minimum clamping force will be applied even if there is a drop in pressure. In the AS/IS variant this acts as a closing force, in the IS variant as an opening force. Besides this, gripping force maintenance can be used to increase gripping force or for single actuated gripping.

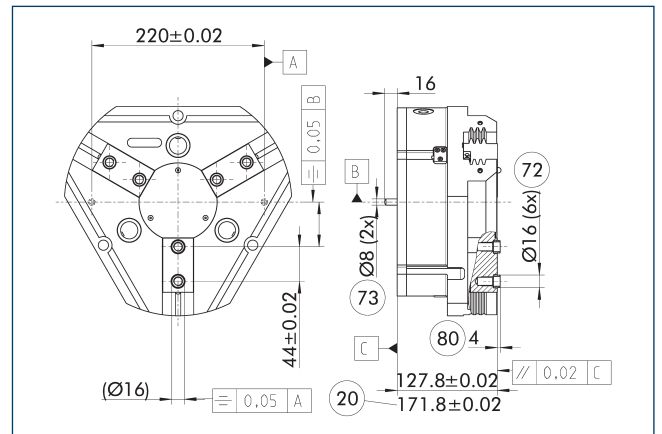
Dustproof version



- ⑨ For mounting screw connection diagram, see basic version
- ⑮ Sealing bolt
- ⑳ For version AS/IS

The "dustproof" option increases the degree of protection against penetrating substances. The assembly diagram shifts by the height of the intermediate jaw. The finger length is still measured from the upper edge of the gripper housing.

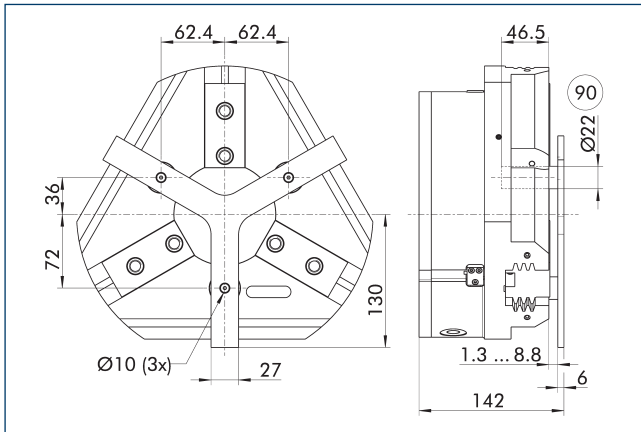
Precision version



- ⑳ For version AS/IS
- ⑦③ Fit for centering pins
- ⑦② Fit for centering sleeves
- ⑧① Depth of the centering sleeve hole in the counter part

The indicated tolerances just refer to the variants of precision versions shown in the chart of technical specifications. All other variants of precision versions are available on request.

Spring-loaded pressure piece



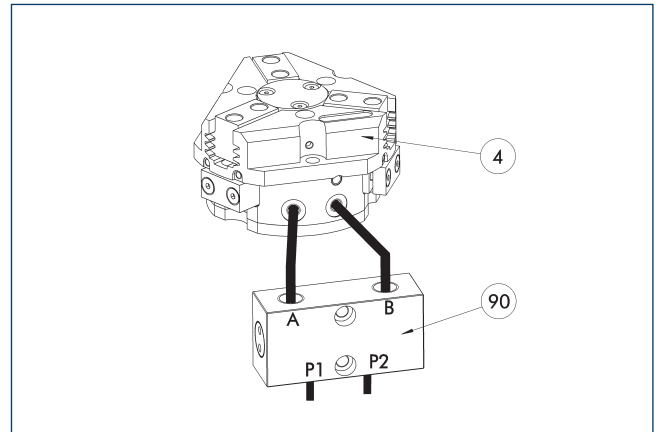
90 Guide pin

For spring-supported positioning of the workpiece against a stop after the gripper has opened. Especially developed for loading machines.

Description	ID	Stroke [mm]	Min. force [N]
Spring-loaded pressure piece			
A-PZN-plus/DPZ-plus 240	0303726	7.5	240

ⓘ The pressure piece cannot be combined with the dustproof option. Please contact us if you require a customized pressure piece.

SDV-P pressure maintenance valve



4 Grippers

90 SDV-P pressure maintenance valve

The SDV-P pressure maintenance valve ensures in emergency STOP situations that the pressure in the piston chamber of pneumatic gripper, swivel, linear, and quick-change modules is temporarily maintained.

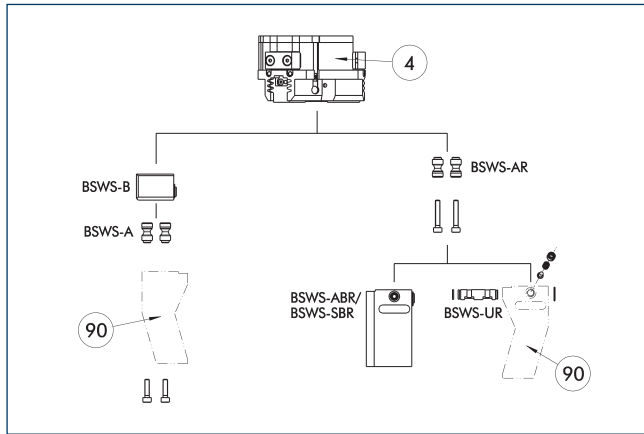
Description	ID	Recommended hose diameter [mm]
Pressure maintenance valve		
SDV-P 07	0403131	8
Pressure maintenance valve with air bleed screw		
SDV-P 07-E	0300121	8
SDV-P 10-E	0300109	10

ⓘ In order to achieve the specified closing and opening time for each gripper variant, the recommended hose diameter must be used. The direct allocation of the respective variant of the gripper for the respective SDV-P can be found at schunk.com.

PZN-plus 240

Universal gripper

BSWS jaw quick-change jaw systems



④ Grippers ⑨0 Customized gripper fingers

There are various jaw quick-change systems available for the gripper. For detailed information, please refer to the corresponding product.

Description	ID	Scope of delivery
Jaw quick-change system adapter pin		
BSWS-A 240	0303034	2
BSWS-AR 240	1453342	2
Quick-change jaw system base		
BSWS-B 240	0303035	1
Jaw quick-change system		
BSWS-ABR-PGZN-plus 240	1453348	1
BSWS-UR 240	1451607	1

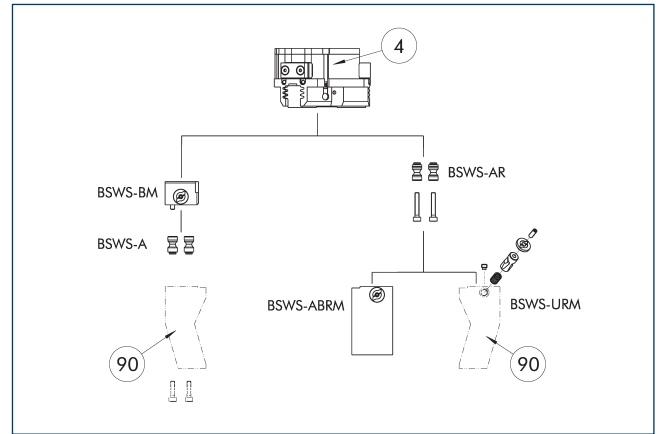
① If the operating pressure is higher than 6 bar, suitability for use beyond the application limits must be checked. Only systems that are listed in the table, can be used.

Fields of application

Series	Size	Variant	Suitability
PZN-plus	240	-1 (6 bar)	■■■■■
PZN-plus	240	-1-AS/1-IS (6 bar)	■■■■■
PZN-plus	240	-2 (6 bar)	■■□□
PZN-plus	240	-2-AS/2-IS (6 bar)	■■□□
Legend			
■■■■■	Can be combined without restrictions		
■■□□	Use with restrictions (see loading limits)		
□□□□	cannot be combined		

The load limits for describing the application limits can be found in the catalog chapter of the corresponding accessories.

Jaw quick-change system BSWS-M



④ Grippers ⑨0 Customized gripper fingers

There are various jaw quick-change systems available for the gripper. For detailed information, please refer to the corresponding product.

Description	ID	Scope of delivery
Jaw quick-change system		
BSWS-BM 240	1470901	1
Jaw quick-change system adapter pin		
BSWS-A 240	0303034	2

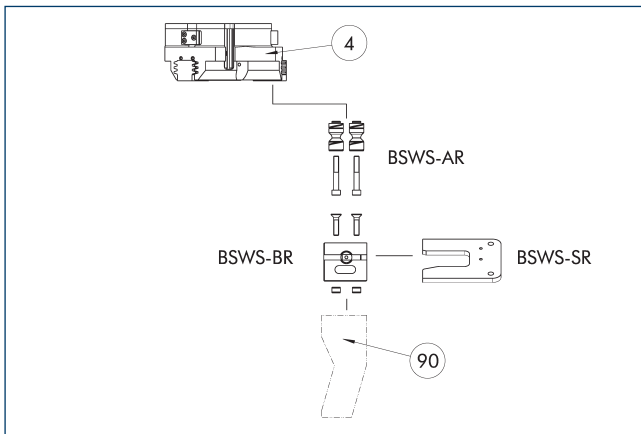
① If the operating pressure is higher than 6 bar, suitability for use beyond the application limits must be checked. Only systems that are listed in the table, can be used.

Fields of application

Series	Size	Variant	Suitability
PZN-plus	240	-1 (6 bar)	■■■■■
PZN-plus	240	-1-AS/1-IS (6 bar)	■■■■■
PZN-plus	240	-2 (6 bar)	■■□□
PZN-plus	240	-2-AS/2-IS (6 bar)	■■□□
Legend			
■■■■■	Can be combined without restrictions		
■■□□	Use with restrictions (see loading limits)		
□□□□	cannot be combined		

The load limits for describing the application limits can be found in the catalog chapter of the corresponding accessories.

Jaw quick-change system BSWS-R



④ Grippers

⑨⑩ Customized gripper fingers

If the operating pressure is higher than 6 bar, suitability for use beyond the application limits must be checked. Only systems that are listed in the table, can be used.

Description	ID	Scope of delivery
Jaw quick-change system adapter pin		
BSWS-AR 240	1453342	2
Storage system		
BSWS-SR 240	1555978	1
Quick-change jaw system base		
BSWS-BR 240	1555943	1
Attachment kit for proximity switch		
AS-IN80-BSWS-SR 240/300	1561481	
Inductive proximity switch		
IN 80-S-M12	0301578	
IN 80-S-M8	0301478	
INK 80-S	0301550	

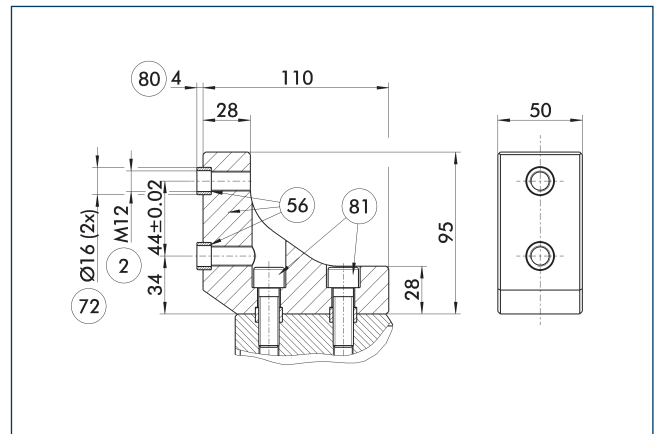
① Only systems that are listed in the table, can be used.

Fields of application

Series	Size	Variant	Suitability
PZN-plus	240	-1 (6 bar)	■■■■■
PZN-plus	240	-1-AS/1-IS (6 bar)	■■■■■
PZN-plus	240	-2 (6 bar)	■■□□
PZN-plus	240	-2-AS/2-IS (6 bar)	■■□□
Legend			
■■■■■	Can be combined without restrictions		
■■□□	Use with restrictions (see loading limits)		
□□□□	cannot be combined		

The load limits for describing the application limits can be found in the catalog chapter of the corresponding accessories.

ZBA-L-plus 240 intermediate jaws



② Finger connection

⑤⑥ Included in the scope of delivery

⑦② Fit for centering sleeves

⑧⑩ Depth of the centering sleeve hole in the counter part

⑧① Not included in the scope of delivery

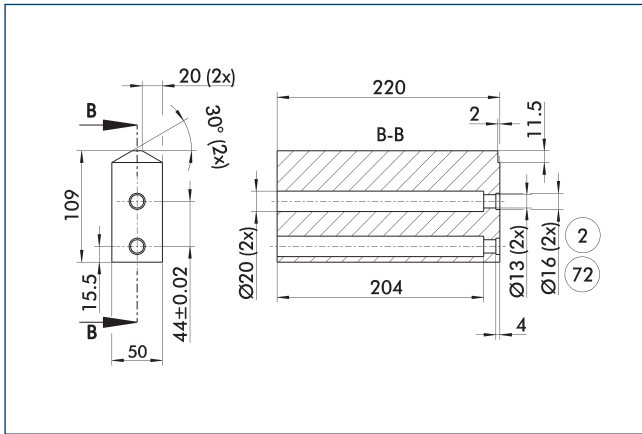
The optional ZBA-L-plus intermediate jaws allow the screw connection diagram of the top jaws to be rotated by 90°. This makes it easier to design and produce top jaws (particularly for long versions) because no deep through-bores are required.

Description	ID	Material	Finger interface	Scope of delivery
Intermediate jaw				
ZBA-L-plus 240	0311782	Aluminum	PGN-plus 240	1

PZN-plus 240

Universal gripper

Finger blanks ABR/SBR-PGZN-plus 240

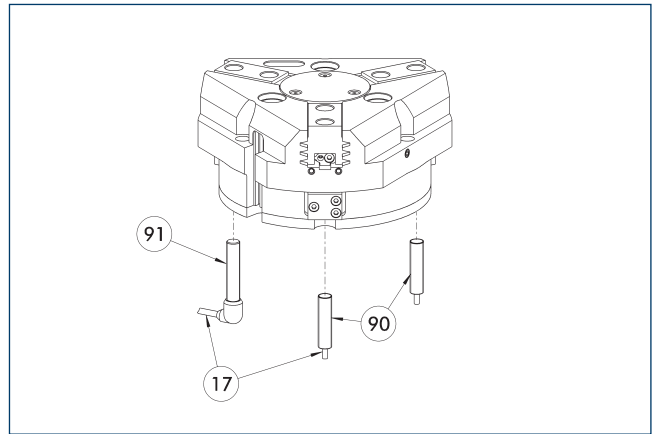


- ② Finger connection
- ⑦② Fit for centering sleeves

The drawing shows the finger blank which can be reworked by the customer.

Description	ID	Material	Scope of delivery
Finger blank			
ABR-PGZN-plus 240	0300017	Aluminum (3.4365)	1
SBR-PGZN-plus 240	0300027	Steel (1.7131)	1

Inductive proximity switches



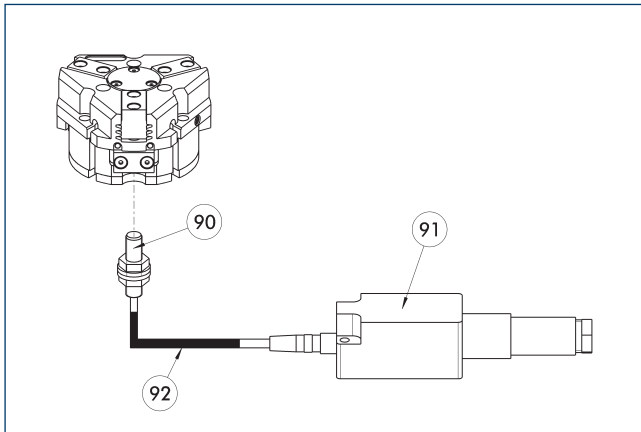
- ①⑦ Cable outlet
- ⑨① Sensor IN...-SA
- ⑨② Sensor IN ...

Directly mounted end position monitoring.

Description	ID	Often combined
Inductive proximity switch		
IN 80-S-M12	0301578	
IN 80-S-M8	0301478	●
INK 80-S	0301550	
Inductive proximity switch with lateral cable outlet		
IN 80-S-M12-SA	0301587	
IN 80-S-M8-SA	0301483	●
INK 80-S-SA	0301566	
Connection cables		
KA BG08-L 3P-0300-PNP	0301622	●
KA BG08-L 3P-0500-PNP	0301623	
KA BG12-L 3P-0500-PNP	30016369	
KA BW08-L 3P-0300-PNP	0301594	
KA BW08-L 3P-0500-PNP	0301502	
KA BW12-L 3P-0300-PNP	0301503	
KA BW12-L 3P-0500-PNP	0301507	
Clip for connector/socket		
CLI-M12	0301464	
CLI-M8	0301463	
Cable extension		
KV BG12-SG12 3P-0030-PNP	0301999	
KV BG12-SG12 3P-0060-PNP	0301998	
KV BW08-SG08 3P-0030-PNP	0301495	
KV BW08-SG08 3P-0100-PNP	0301496	
KV BW08-SG08 3P-0200-PNP	0301497	●
KV BW12-SG12 3P-0030-PNP	0301595	
KV BW12-SG12 3P-0100-PNP	0301596	
KV BW12-SG12 3P-0200-PNP	0301597	
Sensor distributor		
V2-M12	0301776	●
V2-M8	0301775	●
V4-M8	0301746	
V8-M8	0301751	

- ① Two sensors are required per unit for monitoring two positions. On option, extension cables and sensor distributors are available. Additional product variants of the sensor, and further information and technical data can be found in the catalog chapter sensor system.

Flexible position sensor



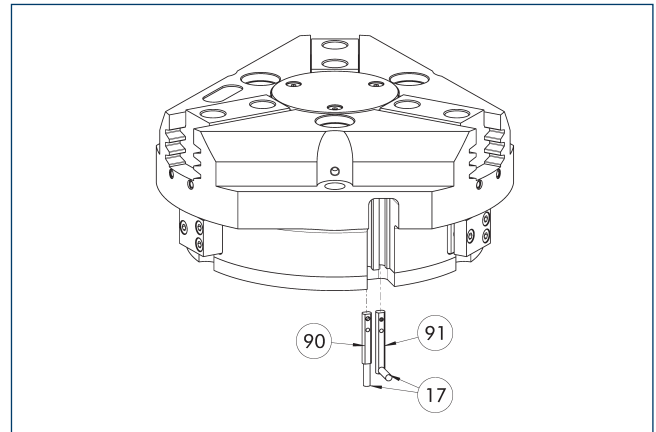
- ⑨⑩ FPS-S sensor
- ⑨① FPS-F5 evaluation electronic
- ⑨② Cable extension

Flexible position monitoring of up to five positions.

Description	ID	
Attachment kit for FPS		
AS-FPS-PGZN-plus 240-1	0301643	
AS-FPS-PGZN-plus 240-2	0301644	
Sensor		
FPS-S M8	0301704	
Evaluation electronics		
FPS-F5	0301805	
Cable extension		
KV BG08-SG08 3P-0050	0301598	
KV BG08-SG08 3P-0100	0301599	

- ① When using an FPS system, an FPS sensor (FPS-S) as well as an electronic processor (FPS-F5 / F5 T) are required for each gripper as well as a mounting kit (AS), if listed. Cable extensions (KV) are optionally available – see catalog chapter "Accessories."

Electronic magnetic switch MMS



- ①⑦ Cable outlet
- ①⑨ Sensor MMS 22..
- ①⑩ Sensor MMS 22...-SA

End position monitoring for mounting in the C-slot.

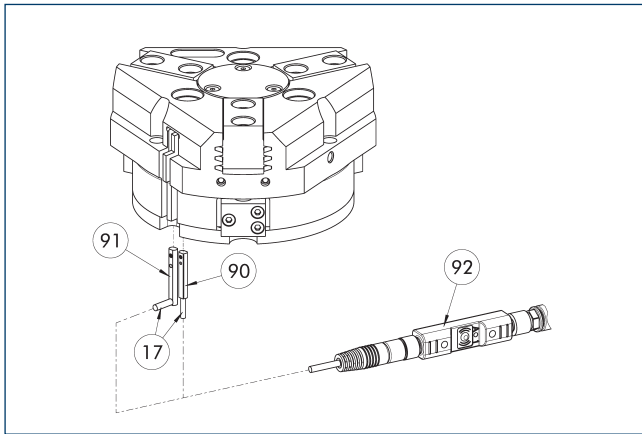
Description	ID	Often combined
Electronic magnetic switch		
MMS 22-S-M8-PNP	0301032	●
MMSK 22-S-PNP	0301034	
Electronic magnetic switches with lateral cable outlet		
MMS 22-S-M8-PNP-SA	0301042	●
MMSK 22-S-PNP-SA	0301044	
Reed Switches		
RMS 22-S-M8	0377720	●
Connection cables		
KA BG08-L 3P-0300-PNP	0301622	●
KA BG08-L 3P-0500-PNP	0301623	
KA BW08-L 3P-0300-PNP	0301594	
KA BW08-L 3P-0500-PNP	0301502	
Clip for connector/socket		
CLI-M8	0301463	
Cable extension		
KV BW08-SG08 3P-0030-PNP	0301495	
KV BW08-SG08 3P-0100-PNP	0301496	
KV BW08-SG08 3P-0200-PNP	0301497	●
Sensor distributor		
V2-M8	0301775	●
V4-M8	0301746	
V8-M8	0301751	

- ① Two sensors are required per unit for monitoring two positions. On option, extension cables and sensor distributors are available. Additional product variants of the sensor, and further information and technical data can be found in the catalog chapter sensor system.

PZN-plus 240

Universal gripper

Programmable magnetic switch MMS 22-PI1



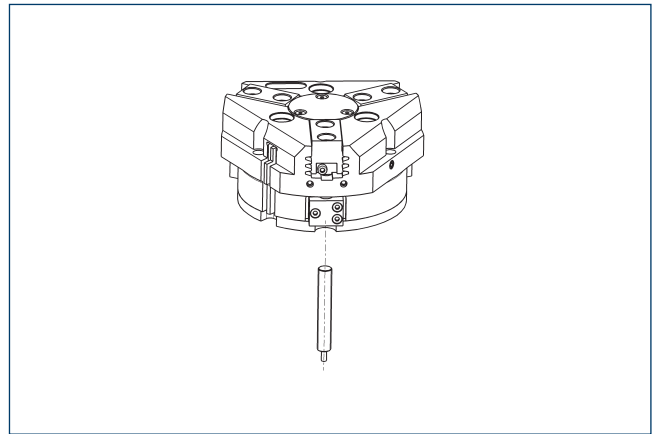
- ①⑦ Cable outlet
- ①⑨ Sensor MMS 22 ..-PI1-...-SA
- ①⑩ Sensor MMS 22 PI1-...
- ①⑪ Connector teaching tool ST

Position monitoring with one programmable position per sensor and integrated electronic system in the sensor. Can be programmed using MT magnetic teaching tool (included in the scope of delivery, ID 0301030) or ST plug teaching tool (optional). End position monitoring for mounting in the C-slot. If the ST plug teaching tools are listed in the table provided, teaching is only possible with the ST teaching tools.

Description	ID	Often combined
Programmable magnetic switch		
MMS 22-PI1-S-M8-PNP	0301160	●
MMSK 22-PI1-S-PNP	0301162	
Programmable magnetic switch with lateral cable outlet		
MMS 22-PI1-S-M8-PNP-SA	0301166	●
MMSK 22-PI1-S-PNP-SA	0301168	
Programmable magnetic switch with stainless steel housing		
MMS 22-PI1-S-M8-PNP-HD	0301110	●
MMSK 22-PI1-S-PNP-HD	0301112	
Plug teaching tool		
ST-MMS 22-PI1-PNP	0301025	

- ① Two sensors are required per unit for monitoring two positions. On option, extension cables and sensor distributors are available. Additional product variants of the sensor, and further information and technical data can be found in the catalog chapter sensor system.

APS-Z80 analog position sensor

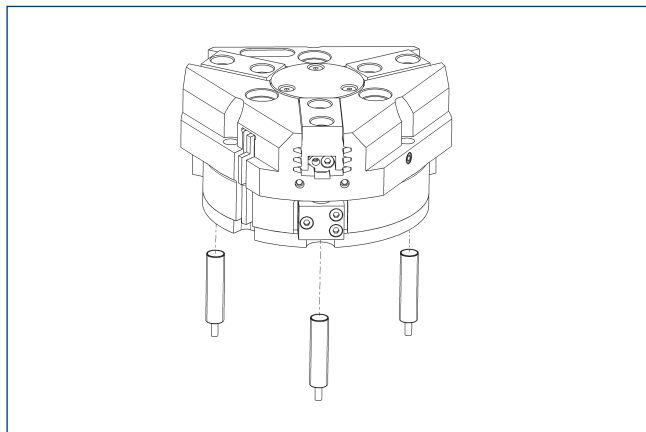


Non-contact measuring, analog multi-position monitoring for any number of positions.

Description	ID	Often combined
Mounting kit for APS-Z80		
AS-APS-Z80-PGZN-plus 160-1/200-2/240-2	0302113	
AS-APS-Z80-PGZN-plus 240-1	0302116	
Analog position sensor		
APS-Z80-K	0302072	
APS-Z80-M8	0302070	●

- ① When using an APS system, one mounting kit (AS-APS-Z80) and one APS-Z80 sensor is required per gripper. The resolution of the sensor can be lower in the peripheral areas of the gripper. You can find further information on the product in the operating manual.

Cylindrical reed switches



End position monitoring can be mounted with an attachment kit.

Description	ID	
Attachment kit for proximity switch		
AS-RMS 80 PGN/PZN-plus 160-380	0377727	
Reed Switches		
RMS 80-S-M8	0377721	

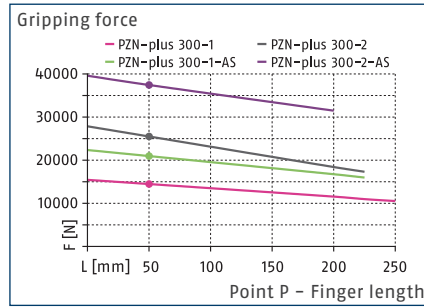
- ① Two sensors (closer/S) are required for each unit and extension cables are available as an option. This attachment kit needs to be ordered optionally as an accessory. Two mounting kits are required for each gripper. For sensor cables, note the minimum permissible bending radii. These are generally 35 mm.

PZN-plus 300

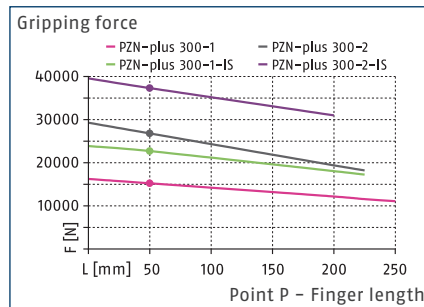
Universal gripper



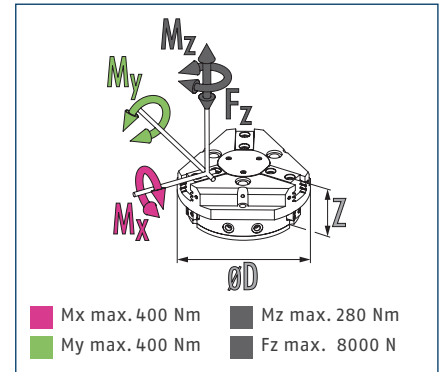
Gripping force O.D. gripping



Gripping force I.D. gripping



Dimensions and maximum loads



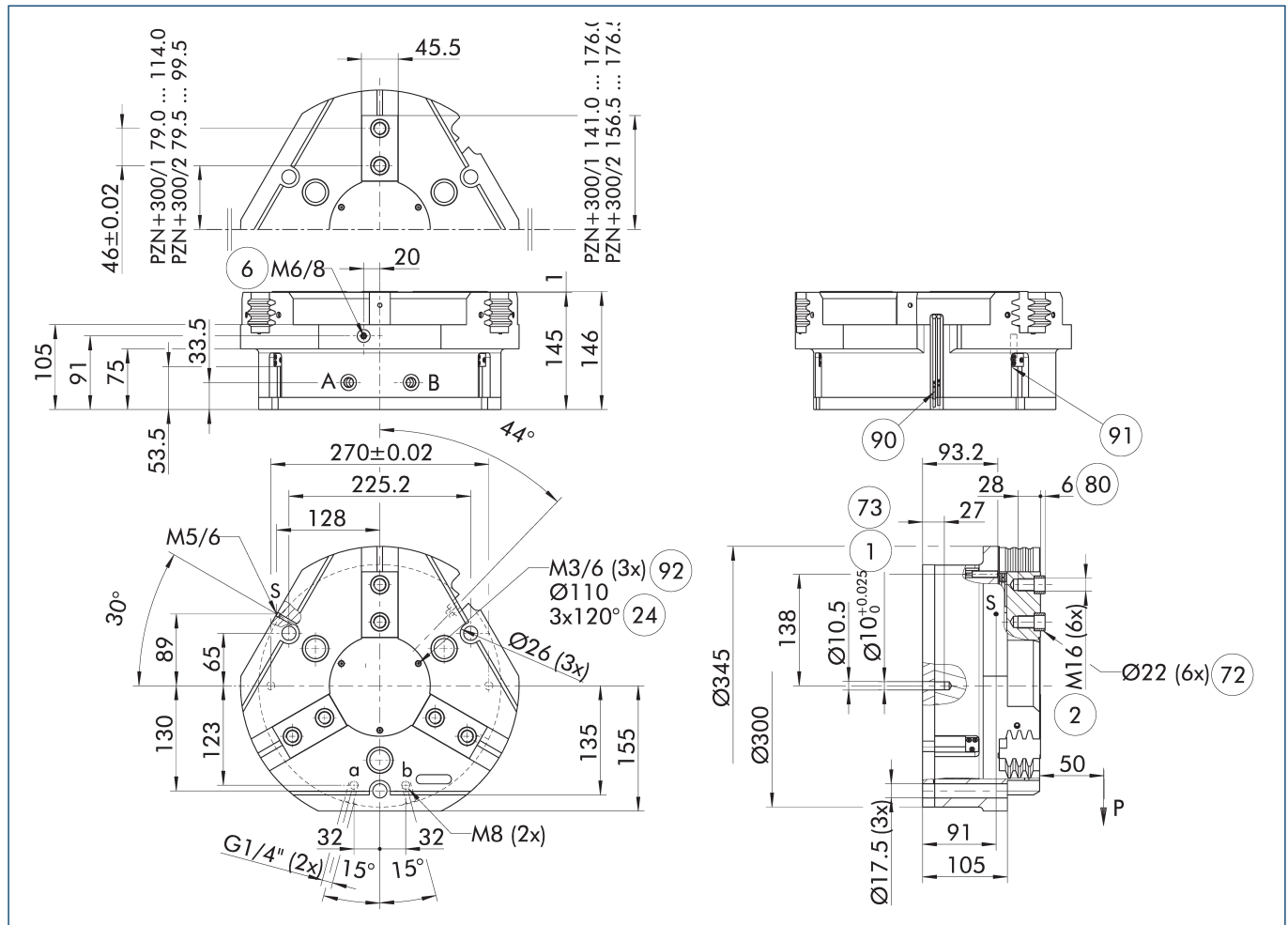
① The indicated moments and forces are static values, apply for each base jaw and may appear simultaneously. Loads may additionally occur to the moment produced by the gripping force itself.

Technical data

Description		PZN-plus 300-1	PZN-plus 300-2	PZN-plus 300-1-AS	PZN-plus 300-2-AS	PZN-plus 300-1-IS	PZN-plus 300-2-IS
ID		0303317	0303417	0303517	0303617	0303547	0303647
Stroke per jaw	[mm]	35	20	35	20	35	20
Closing/opening force	[N]	14500/15200	25500/26800	21000/-	35500/-	-/22700	-/37300
Min. spring force	[N]			6500	10000	7500	10500
Weight	[kg]	33	33	43.5	43.5	43.5	43.5
Recommended workpiece weight	[kg]	72.5	127.5	72.5	127.5	72.5	127.5
Cylinder volume per double stroke	[cm ³]	2850	2850	5050	5050	5050	5050
Min./nom./max. operating pressure	[bar]	2/6/8	2/6/8	4/6/6.5	4/6/6.5	4/6/6.5	4/6/6.5
Min./max. air purge pressure	[bar]	0.5/1	0.5/1	0.5/1	0.5/1	0.5/1	0.5/1
Closing/opening time	[s]	1.3/1.3	1.3/1.3	1.2/2.5	1.2/2.5	2/1.2	2/1.2
Closing/opening time with spring	[s]			2.50	2.50	2.00	2.00
Max. permissible finger length	[mm]	250	225	225	200	225	200
Max. permissible weight per finger	[kg]	11.5	11.5	11.5	11.5	11.5	11.5
IP protection class		40	40	40	40	40	40
Min./max. ambient temperature	[°C]	5/90	5/90	5/90	5/90	5/90	5/90
Repeat accuracy	[mm]	0.05	0.05	0.05	0.05	0.05	0.05
Dimensions Ø D x Z	[mm]	345 x 146	345 x 146	345 x 196	345 x 196	345 x 196	345 x 196
Options and their characteristics							
Dustproof version		37303317	37303417	37303517	37303617	37303547	37303647
IP protection class		64	64	64	64	64	64
Weight	[kg]	35.5	35.5	46	46	46	46
Corrosion-protected version		38303317	38303417	38303517	38303617	38303547	38303647
High-temperature version		39303317	39303417	39303517	39303617	39303547	39303647
Min./max. ambient temperature	[°C]	5/130	5/130	5/130	5/130	5/130	5/130
Precision version		0303347	0303447	0303497	0303597		

① It may take a few 100 gripping cycles until the full gripping force (as indicated in the data table) will be available.

Main view



The drawing shows the gripper in the basic version with closed jaws, without dimensional consideration of the options described below.

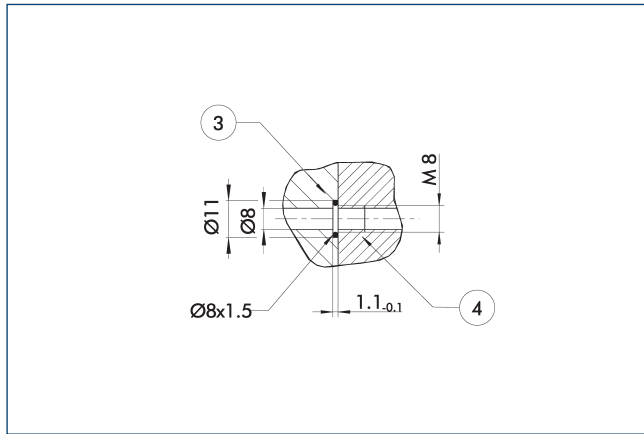
① As an alternative/in addition to spring-assisted mechanical gripping force maintenance, the SDV-P pressure maintenance valve can be used for I.D. and O.D. gripping (see "Accessories" section of catalog).

- | | |
|--|--|
| A, a Main / direct connection, gripper opening | ⑦② Fit for centering sleeves |
| B, b Main / direct connection, gripper closing | ⑦③ Fit for centering pins |
| S Air purge connection | ⑧① Depth of the centering sleeve hole in the counter part |
| ① Gripper connection | ⑨① Sensor MMS 22.. |
| ② Finger connection | ⑨② Sensor IN ... |
| ⑥ Lubricating nipple connection | ⑨③ Thread below the cover for fastening external attachments |
| ②④ Bolt circle | |

PZN-plus 300

Universal gripper

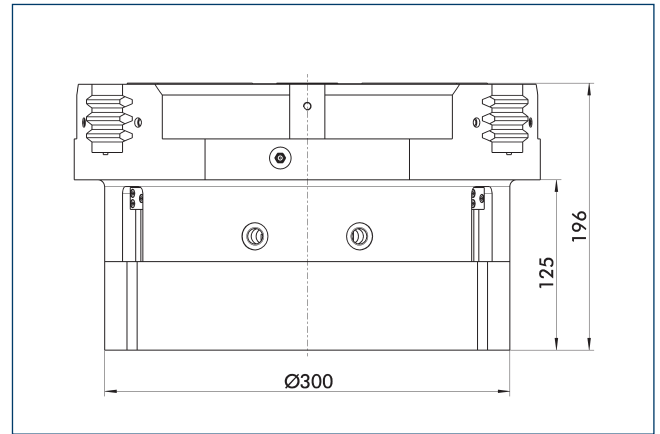
Hose-free direct connection M8



- ③ Adapter
- ④ Grippers

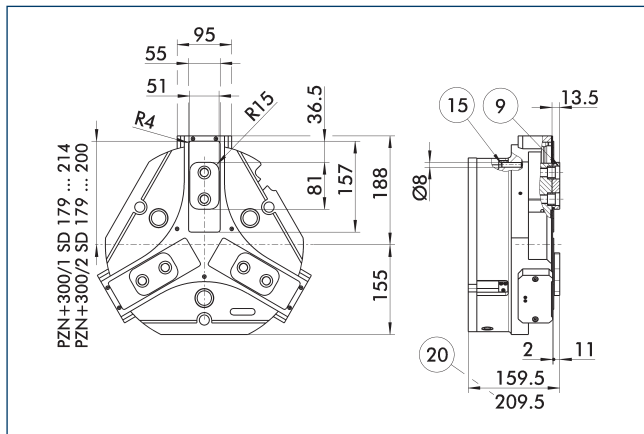
The direct connection is used for supplying compressed air without hoses. Instead, the pressure medium is fed through bore-holes in the mounting plate.

Gripping force maintenance version AS/IS



The mechanical gripping force maintenance device ensures that a minimum clamping force will be applied even if there is a drop in pressure. In the AS/IS variant this acts as a closing force, in the IS variant as an opening force. Besides this, gripping force maintenance can be used to increase gripping force or for single actuated gripping.

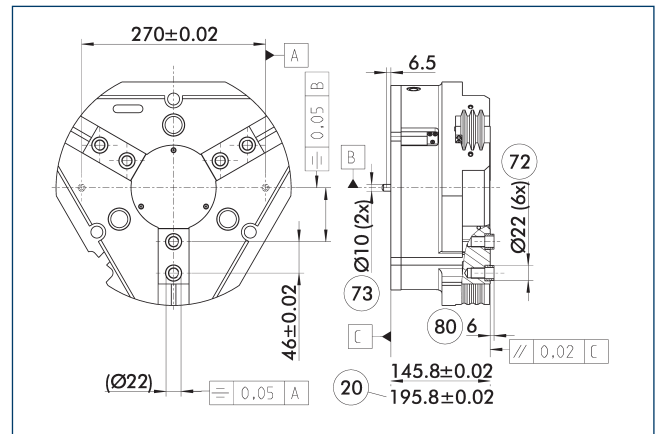
Dustproof version



- ⑨ For mounting screw connection diagram, see basic version
- ⑮ Sealing bolt
- ⑳ For version AS/IS

The "dustproof" option increases the degree of protection against penetrating substances. The assembly diagram shifts by the height of the intermediate jaw. The finger length is still measured from the upper edge of the gripper housing.

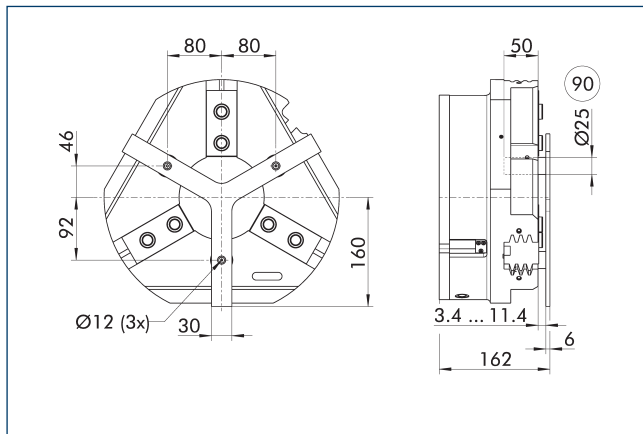
Precision version



- ⑳ For version AS/IS
- ⑦③ Fit for centering pins
- ⑦② Fit for centering sleeves
- ⑧① Depth of the centering sleeve hole in the counter part

The indicated tolerances just refer to the variants of precision versions shown in the chart of technical specifications. All other variants of precision versions are available on request.

Spring-loaded pressure piece



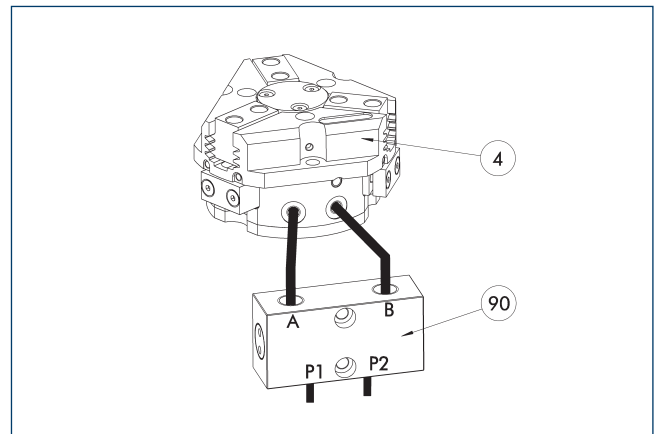
90 Guide pin

For spring-supported positioning of the workpiece against a stop after the gripper has opened. Especially developed for loading machines.

Description	ID	Stroke [mm]	Min. force [N]
Spring-loaded pressure piece			
A-PZN-plus/DPZ-plus 300	0303727	8	300

ⓘ The pressure piece cannot be combined with the dustproof option. Please contact us if you require a customized pressure piece.

SDV-P pressure maintenance valve



4 Grippers

90 SDV-P pressure maintenance valve

The SDV-P pressure maintenance valve ensures in emergency STOP situations that the pressure in the piston chamber of pneumatic gripper, swivel, linear, and quick-change modules is temporarily maintained.

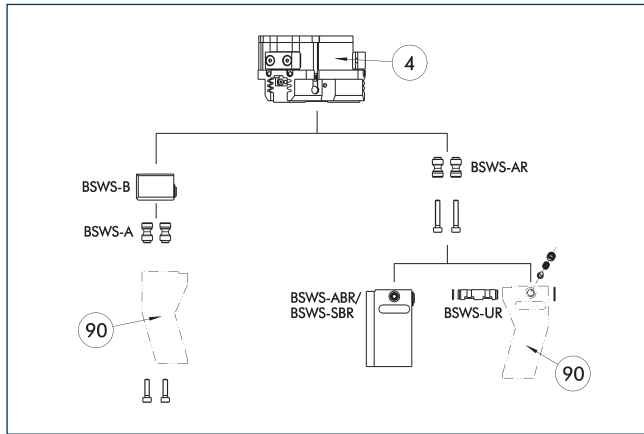
Description	ID	Recommended hose diameter [mm]
Pressure maintenance valve		
SDV-P 07	0403131	8
Pressure maintenance valve with air bleed screw		
SDV-P 07-E	0300121	8
SDV-P 10-E	0300109	10

ⓘ In order to achieve the specified closing and opening time for each gripper variant, the recommended hose diameter must be used. The direct allocation of the respective variant of the gripper for the respective SDV-P can be found at schunk.com.

PZN-plus 300

Universal gripper

BSWS jaw quick-change jaw systems



④ Grippers ⑨① Customized gripper fingers

There are various jaw quick-change systems available for the gripper. For detailed information, please refer to the corresponding product.

Description	ID	Scope of delivery
Quick-change jaw system base		
BSWS-B 300	0303037	1
Jaw quick-change system adapter pin		
BSWS-A 300	0303036	2

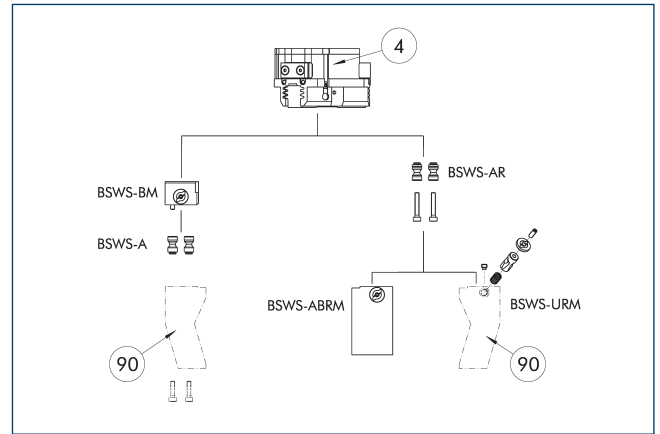
① If the operating pressure is higher than 6 bar, suitability for use beyond the application limits must be checked. Only systems that are listed in the table, can be used.

Fields of application

Series	Size	Variant	Suitability
PZN-plus	300	-1 (6 bar)	■■■■
PZN-plus	300	-1-AS/1-IS (6 bar)	■■□□
PZN-plus	300	-2 (6 bar)	■■□□
PZN-plus	300	-2-AS/2-IS (6 bar)	■■□□
Legend			
■■■■	Can be combined without restrictions		
■■□□	Use with restrictions (see loading limits)		
□□□□	cannot be combined		

The load limits for describing the application limits can be found in the catalog chapter of the corresponding accessories.

Jaw quick-change system BSWS-M



④ Grippers ⑨① Customized gripper fingers

There are various jaw quick-change systems available for the gripper. For detailed information, please refer to the corresponding product.

Description	ID	Scope of delivery
Jaw quick-change system		
BSWS-BM 300	1462015	1
Jaw quick-change system adapter pin		
BSWS-A 300	0303036	2

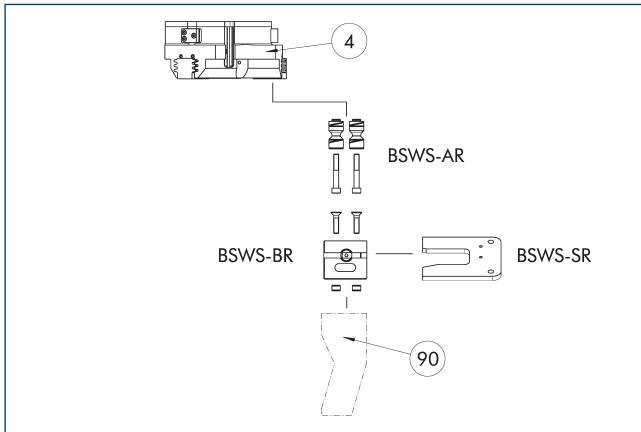
① If the operating pressure is higher than 6 bar, suitability for use beyond the application limits must be checked. Only systems that are listed in the table, can be used.

Fields of application

Series	Size	Variant	Suitability
PZN-plus	300	-1 (6 bar)	■■■■
PZN-plus	300	-1-AS/1-IS (6 bar)	■■□□
PZN-plus	300	-2 (6 bar)	■■□□
PZN-plus	300	-2-AS/2-IS (6 bar)	■■□□
Legend			
■■■■	Can be combined without restrictions		
■■□□	Use with restrictions (see loading limits)		
□□□□	cannot be combined		

The load limits for describing the application limits can be found in the catalog chapter of the corresponding accessories.

Jaw quick-change system BSWs-R



④ Grippers

⑨⑩ Customized gripper fingers

If the operating pressure is higher than 6 bar, suitability for use beyond the application limits must be checked. Only systems that are listed in the table, can be used.

Description	ID	Scope of delivery
Jaw quick-change system adapter pin		
BSWS-AR 300	1453343	2
Quick-change jaw system base		
BSWS-BR 300	1555944	1
Storage system		
BSWS-SR 300	1555982	1
Attachment kit for proximity switch		
AS-IN80-BSWS-SR 240/300	1561481	
Inductive proximity switch		
IN 80-S-M12	0301578	
IN 80-S-M8	0301478	
INK 80-S	0301550	

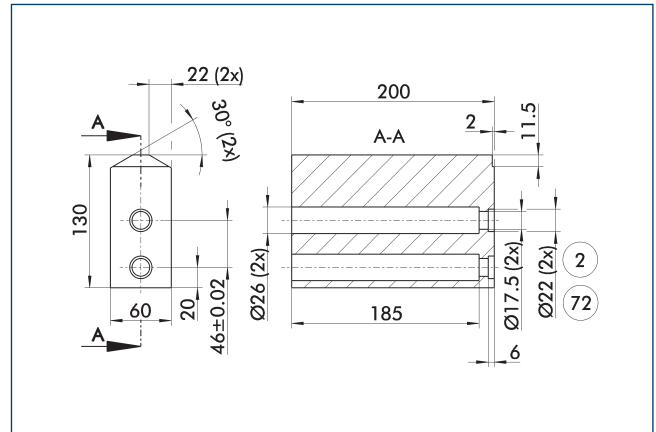
① Only systems that are listed in the table, can be used.

Fields of application

Series	Size	Variant	Suitability
PZN-plus	300	-1 (6 bar)	■■■■
PZN-plus	300	-1-AS/1-IS (6 bar)	■■□□
PZN-plus	300	-2 (6 bar)	■■□□
PZN-plus	300	-2-AS/2-IS (6 bar)	■■□□
Legend			
■■■■	Can be combined without restrictions		
■■□□	Use with restrictions (see loading limits)		
□□□□	cannot be combined		

The load limits for describing the application limits can be found in the catalog chapter of the corresponding accessories.

Finger blanks ABR/SBR-PGZN-plus 300



② Finger connection

⑦② Fit for centering sleeves

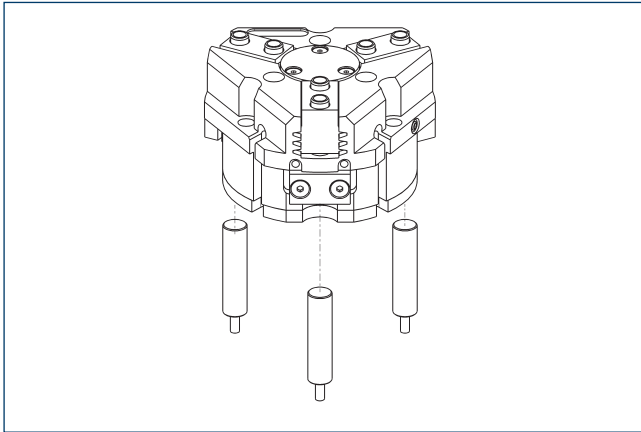
The drawing shows the finger blank which can be reworked by the customer.

Description	ID	Material	Scope of delivery
Finger blank			
ABR-PGZN-plus 300	0300016	Aluminum (3.4365)	1
SBR-PGZN-plus 300	0300026	Steel (1.7131)	1

PZN-plus 300

Universal gripper

Inductive proximity switches

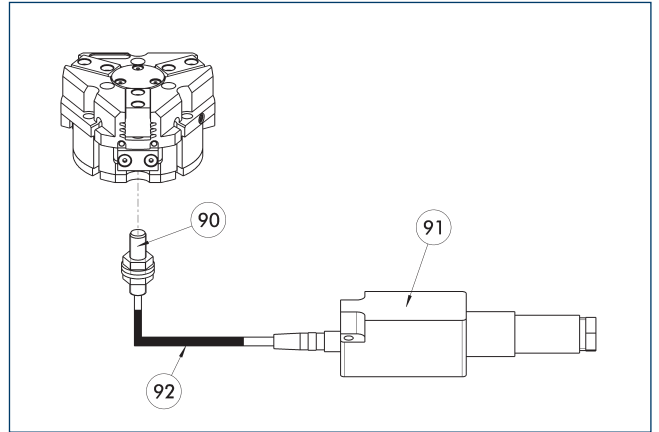


Directly mounted end position monitoring.

Description	ID	Often combined
Inductive proximity switch		
IN 80-S-M12	0301578	
IN 80-S-M8	0301478	●
INK 80-S	0301550	
Connection cables		
KA BG08-L 3P-0300-PNP	0301622	●
KA BG08-L 3P-0500-PNP	0301623	
KA BG12-L 3P-0500-PNP	30016369	
KA BW08-L 3P-0300-PNP	0301594	
KA BW08-L 3P-0500-PNP	0301502	
KA BW12-L 3P-0300-PNP	0301503	
KA BW12-L 3P-0500-PNP	0301507	
Clip for connector/socket		
CLI-M12	0301464	
CLI-M8	0301463	
Cable extension		
KV BG12-SG12 3P-0030-PNP	0301999	
KV BG12-SG12 3P-0060-PNP	0301998	
KV BW08-SG08 3P-0030-PNP	0301495	
KV BW08-SG08 3P-0100-PNP	0301496	
KV BW08-SG08 3P-0200-PNP	0301497	●
KV BW12-SG12 3P-0030-PNP	0301595	
KV BW12-SG12 3P-0100-PNP	0301596	
KV BW12-SG12 3P-0200-PNP	0301597	
Sensor distributor		
V2-M12	0301776	●
V2-M8	0301775	●
V4-M8	0301746	
V8-M8	0301751	

① Two sensors are required per unit for monitoring two positions. On option, extension cables and sensor distributors are available. Additional product variants of the sensor, and further information and technical data can be found in the catalog chapter sensor system.

Flexible position sensor



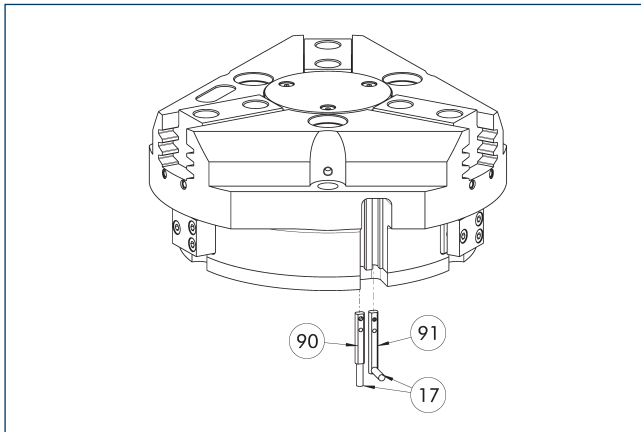
- ⑨ FPS-S sensor
- ⑨ FPS-F5 evaluation electronic
- ⑨ Cable extension

Flexible position monitoring of up to five positions.

Description	ID	
Attachment kit for FPS		
AS-FPS-PGZN-plus 300-2	0301642	
Sensor		
FPS-S M8	0301704	
Evaluation electronics		
FPS-F5	0301805	
Cable extension		
KV BG08-SG08 3P-0050	0301598	
KV BG08-SG08 3P-0100	0301599	

① When using an FPS system, an FPS sensor (FPS-S) as well as an electronic processor (FPS-F5 / F5 T) are required for each gripper as well as a mounting kit (AS), if listed. Cable extensions (KV) are optionally available – see catalog chapter “Accessories.”

Electronic magnetic switch MMS



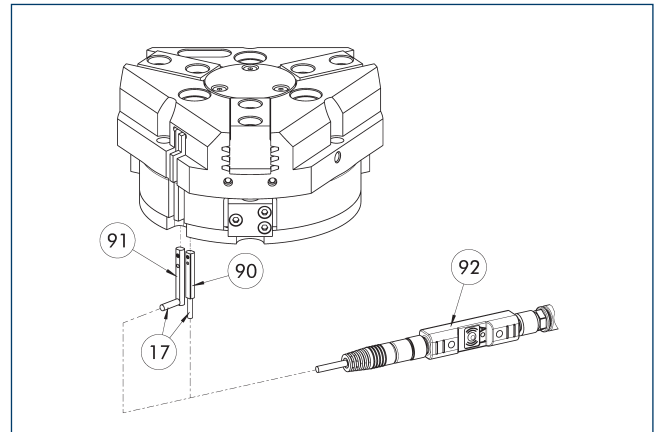
- 17 Cable outlet
- 90 Sensor MMS 22..
- 91 Sensor MMS 22...-SA

End position monitoring for mounting in the C-slot.

Description	ID	Often combined
Electronic magnetic switch		
MMS 22-S-M8-PNP	0301032	●
MMSK 22-S-PNP	0301034	
Electronic magnetic switches with lateral cable outlet		
MMS 22-S-M8-PNP-SA	0301042	●
MMSK 22-S-PNP-SA	0301044	
Reed Switches		
RMS 22-S-M8	0377720	●
Connection cables		
KA BG08-L 3P-0300-PNP	0301622	●
KA BG08-L 3P-0500-PNP	0301623	
KA BW08-L 3P-0300-PNP	0301594	
KA BW08-L 3P-0500-PNP	0301502	
Clip for connector/socket		
CLI-M8	0301463	
Cable extension		
KV BW08-SG08 3P-0030-PNP	0301495	
KV BW08-SG08 3P-0100-PNP	0301496	
KV BW08-SG08 3P-0200-PNP	0301497	●
Sensor distributor		
V2-M8	0301775	●
V4-M8	0301746	
V8-M8	0301751	

- ① Two sensors are required per unit for monitoring two positions. On option, extension cables and sensor distributors are available. Additional product variants of the sensor, and further information and technical data can be found in the catalog chapter sensor system.

Programmable magnetic switch MMS 22-PI1



- 17 Cable outlet
- 90 Sensor MMS 22 PI1-...
- 91 Sensor MMS 22 ...-PI1-...-SA
- 92 Connector teaching tool ST

Position monitoring with one programmable position per sensor and integrated electronic system in the sensor. Can be programmed using MT magnetic teaching tool (included in the scope of delivery, ID 0301030) or ST plug teaching tool (optional). End position monitoring for mounting in the C-slot. If the ST plug teaching tools are listed in the table provided, teaching is only possible with the ST teaching tools.

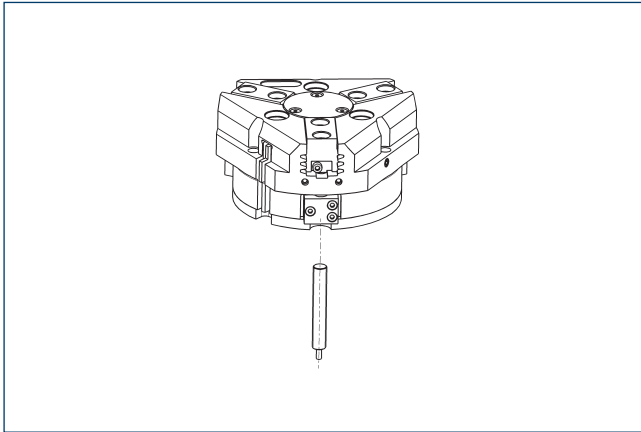
Description	ID	Often combined
Programmable magnetic switch		
MMS 22-PI1-S-M8-PNP	0301160	●
MMSK 22-PI1-S-PNP	0301162	
Programmable magnetic switch with lateral cable outlet		
MMS 22-PI1-S-M8-PNP-SA	0301166	●
MMSK 22-PI1-S-PNP-SA	0301168	
Programmable magnetic switch with stainless steel housing		
MMS 22-PI1-S-M8-PNP-HD	0301110	●
MMSK 22-PI1-S-PNP-HD	0301112	
Plug teaching tool		
ST-MMS 22-PI1-PNP	0301025	

- ① Two sensors are required per unit for monitoring two positions. On option, extension cables and sensor distributors are available. Additional product variants of the sensor, and further information and technical data can be found in the catalog chapter sensor system.

PZN-plus 300

Universal gripper

APS-Z80 analog position sensor

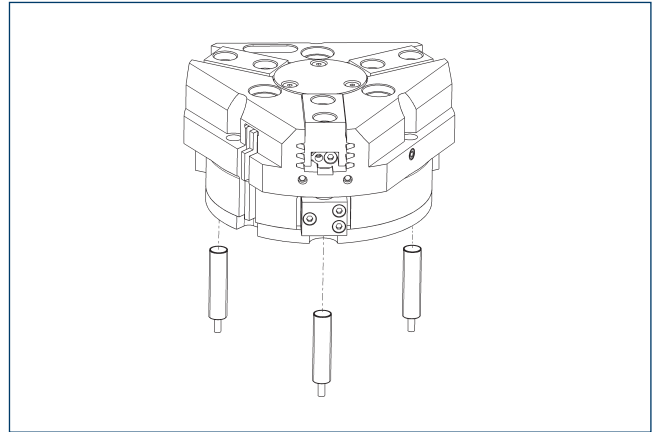


Non-contact measuring, analog multi-position monitoring for any number of positions.

Description	ID	Often combined
Mounting kit for APS-Z80		
AS-APS-Z80-PGZN-plus 300-1	0302117	
AS-APS-Z80-PGZN-plus 300-2	0302118	
Analog position sensor		
APS-Z80-K	0302072	
APS-Z80-M8	0302070	●

① When using an APS system, one mounting kit (AS-APS-Z80) and one APS-Z80 sensor is required per gripper. The resolution of the sensor can be lower in the peripheral areas of the gripper. You can find further information on the product in the operating manual.

Cylindrical reed switches



End position monitoring can be mounted with an attachment kit.

Description	ID	
Attachment kit for proximity switch		
AS-RMS 80 PGN/PZN-plus 160-380	0377727	
Reed Switches		
RMS 80-S-M8	0377721	

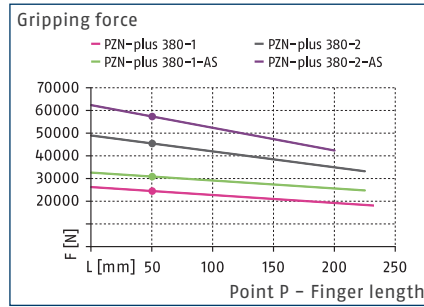
① Two sensors (closer/S) are required for each unit and extension cables are available as an option. This attachment kit needs to be ordered optionally as an accessory. Two mounting kits are required for each gripper. For sensor cables, note the minimum permissible bending radii. These are generally 35 mm.

PZN-plus 380

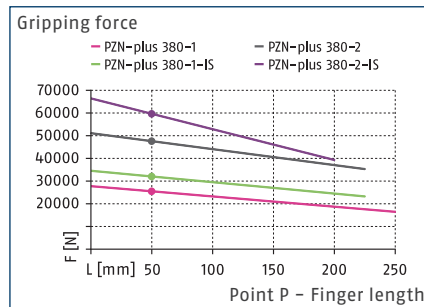
Universal gripper



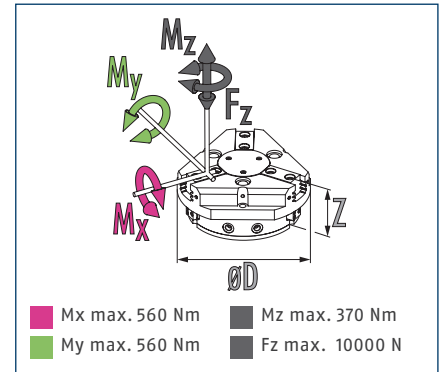
Gripping force O.D. gripping



Gripping force I.D. gripping



Dimensions and maximum loads



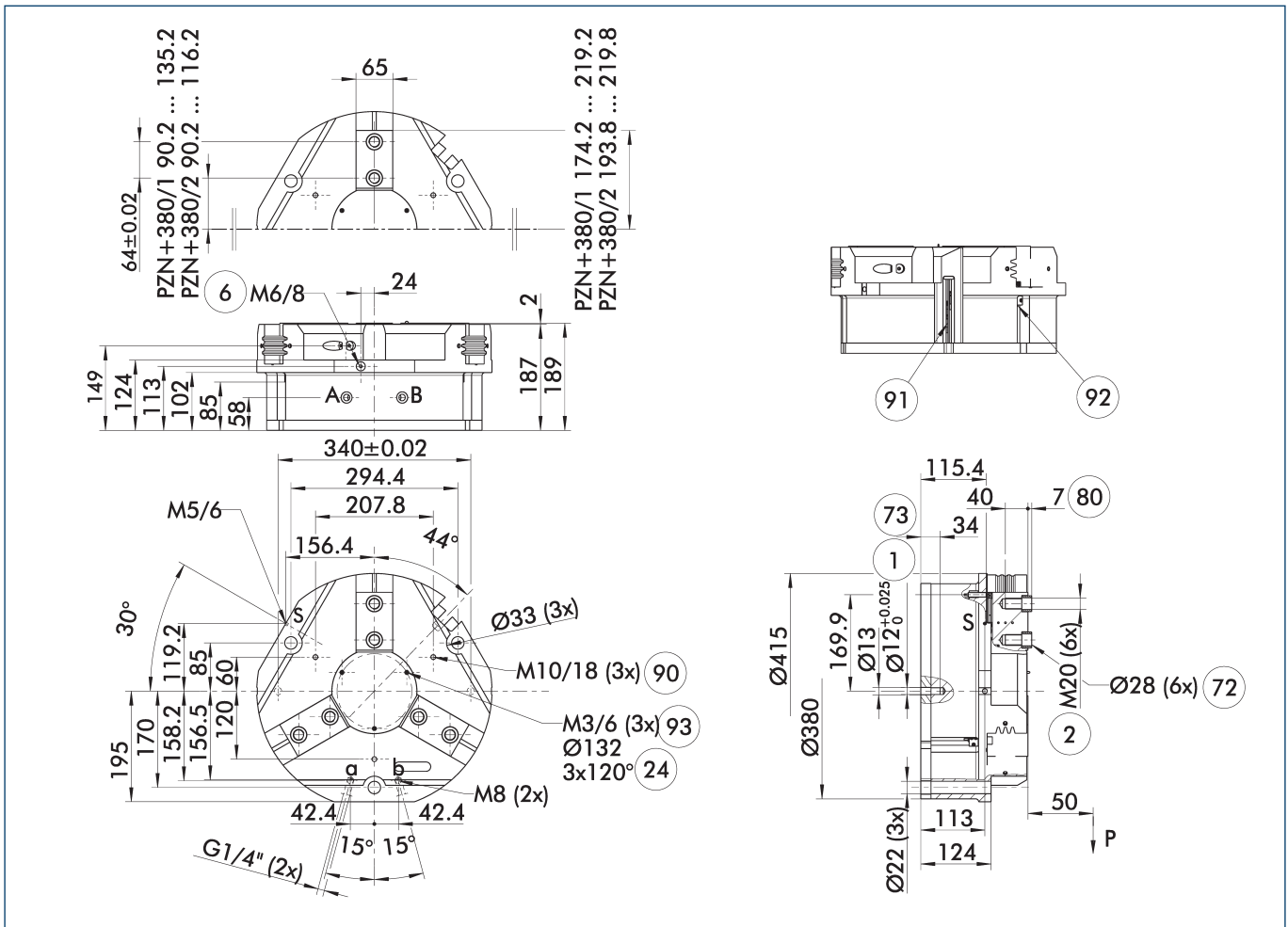
① The indicated moments and forces are static values, apply for each base jaw and may appear simultaneously. Loads may additionally occur to the moment produced by the gripping force itself.

Technical data

Description		PZN-plus 380-1	PZN-plus 380-2	PZN-plus 380-1-AS	PZN-plus 380-2-AS	PZN-plus 380-1-IS	PZN-plus 380-2-IS
ID		0303318	0303418	0303518	0303618	0303548	0303648
Stroke per jaw	[mm]	45	26	45	26	45	26
Closing/opening force	[N]	24400/25500	45400/47500	30800/-	57300/-	-/32000	-/59500
Min. spring force	[N]			6400	11900	6500	12000
Weight	[kg]	64	66	75	77	75	77
Recommended workpiece weight	[kg]	122	227	122	227	122	227
Cylinder volume per double stroke	[cm ³]	7200	7200	9300	9300	11500	11500
Min./nom./max. operating pressure	[bar]	2/6/8	2/6/8	4/6/6.5	4/6/6.5	4/6/6.5	4/6/6.5
Min./max. air purge pressure	[bar]	0.5/1	0.5/1	0.5/1	0.5/1	0.5/1	0.5/1
Closing/opening time	[s]	2.2/2.2	2.2/2.2	1.9/3	1.9/3	4.6/1.9	4.6/1.9
Closing/opening time with spring	[s]			2.60	2.60	2.20	2.20
Max. permissible finger length	[mm]	250	225	225	200	225	200
Max. permissible weight per finger	[kg]	13.5	13.5	13.5	13.5	13.5	13.5
IP protection class		40	40	40	40	40	40
Min./max. ambient temperature	[°C]	5/90	5/90	5/90	5/90	5/90	5/90
Repeat accuracy	[mm]	0.05	0.05	0.05	0.05	0.05	0.05
Dimensions Ø D x Z	[mm]	415 x 189	415 x 189	415 x 251	415 x 251	415 x 251	415 x 251
Options and their characteristics							
Dustproof version		37303318	37303418	37303518	37303618	37303548	37303648
IP protection class		64	64	64	64	64	64
Weight	[kg]	67	69	78	80	78	80
Corrosion-protected version		38303318	38303418	38303518	38303618	38303548	38303648
High-temperature version		39303318	39303418	39303518	39303618	39303548	39303648
Min./max. ambient temperature	[°C]	5/130	5/130	5/130	5/130	5/130	5/130
Precision version		0303348	0303437	0303498	0303598		

① It may take a few 100 gripping cycles until the full gripping force (as indicated in the data table) will be available.

Main view



The drawing shows the gripper in the basic version with closed jaws, without dimensional consideration of the options described below.

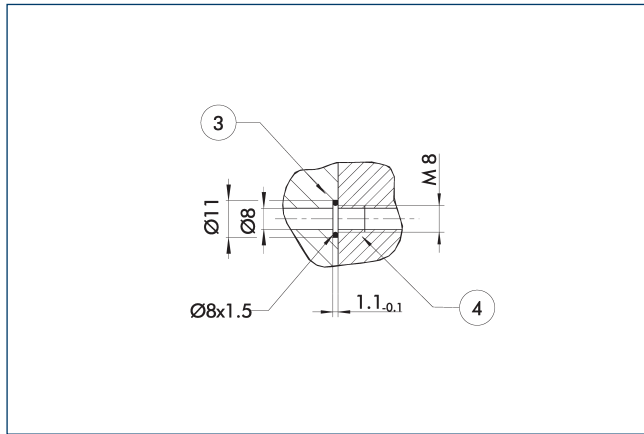
① As an alternative/in addition to spring-assisted mechanical gripping force maintenance, the SDV-P pressure maintenance valve can be used for I.D. and O.D. gripping (see "Accessories" section of catalog).

- A, a Main / direct connection, gripper opening
- B, b Main / direct connection, gripper closing
- S Air purge connection
- ① Gripper connection
- ② Finger connection
- ⑥ Lubricating nipple connection
- ②④ Bolt circle
- ⑦② Fit for centering sleeves
- ⑦③ Fit for centering pins
- ⑧① Depth of the centering sleeve hole in the counter part
- ⑨① Transport thread
- ⑨① Sensor MMS 22..
- ⑨② Sensor IN ...
- ⑨③ Thread below the cover for fastening external attachments

PZN-plus 380

Universal gripper

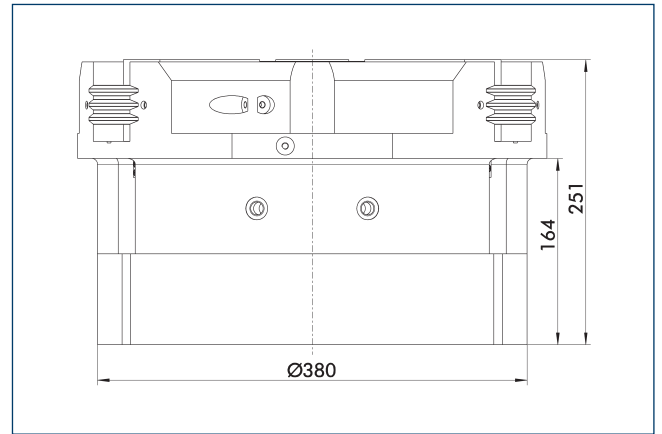
Hose-free direct connection M8



- ③ Adapter
- ④ Grippers

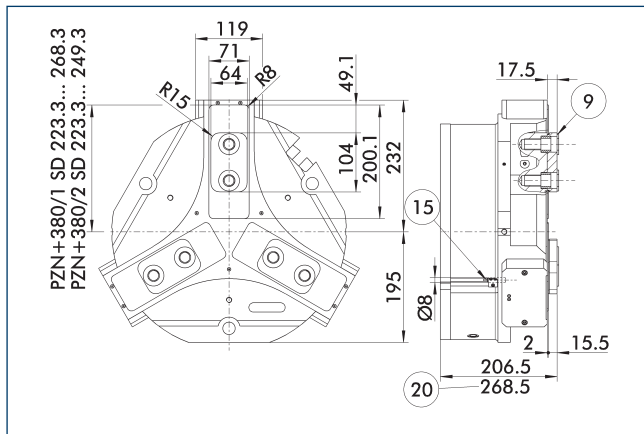
The direct connection is used for supplying compressed air without hoses. Instead, the pressure medium is fed through bore-holes in the mounting plate.

Gripping force maintenance version AS/IS



The mechanical gripping force maintenance device ensures that a minimum clamping force will be applied even if there is a drop in pressure. In the AS/IS variant this acts as a closing force, in the IS variant as an opening force. Besides this, gripping force maintenance can be used to increase gripping force or for single actuated gripping.

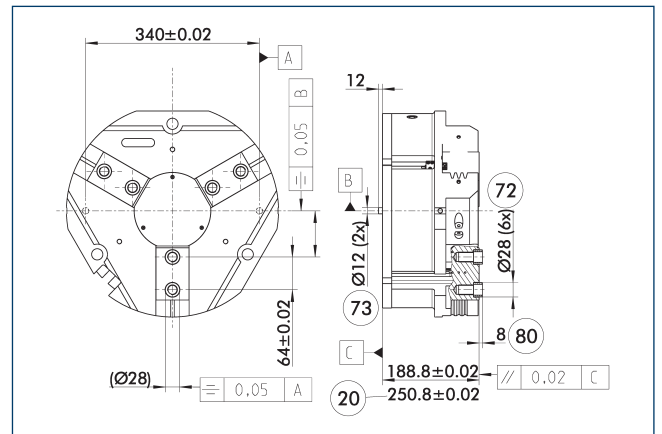
Dustproof version



- ⑨ For mounting screw connection diagram, see basic version
- ⑮ Sealing bolt
- ⑳ For version AS/IS

The "dustproof" option increases the degree of protection against penetrating substances. The assembly diagram shifts by the height of the intermediate jaw. The finger length is still measured from the upper edge of the gripper housing.

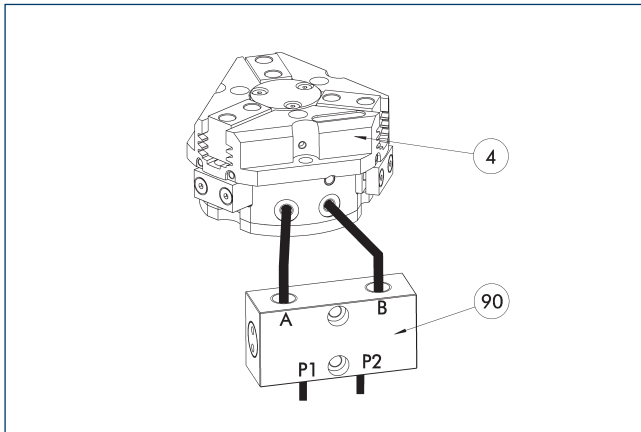
Precision version



- ⑳ For version AS/IS
- ⑦③ Fit for centering pins
- ⑦② Fit for centering sleeves
- ⑧① Depth of the centering sleeve hole in the counter part

The indicated tolerances just refer to the variants of precision versions shown in the chart of technical specifications. All other variants of precision versions are available on request.

SDV-P pressure maintenance valve



④ Grippers

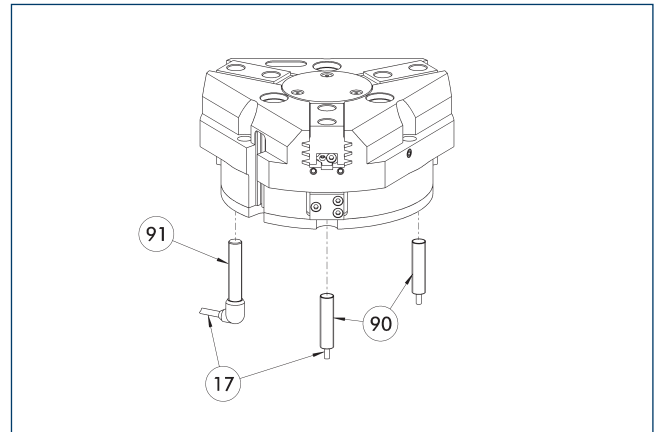
⑨⑩ SDV-P pressure maintenance valve

The SDV-P pressure maintenance valve ensures in emergency STOP situations that the pressure in the piston chamber of pneumatic gripper, swivel, linear, and quick-change modules is temporarily maintained.

Description	ID	Recommended hose diameter [mm]
Pressure maintenance valve with air bleed screw		
SDV-P 10-E	0300109	10

① In order to achieve the specified closing and opening time for each gripper variant, the recommended hose diameter must be used. The direct allocation of the respective variant of the gripper for the respective SDV-P can be found at schunk.com.

Inductive proximity switches



①⑦ Cable outlet

⑨⑩ Sensor IN ...

⑨① Sensor IN...-SA

Directly mounted end position monitoring.

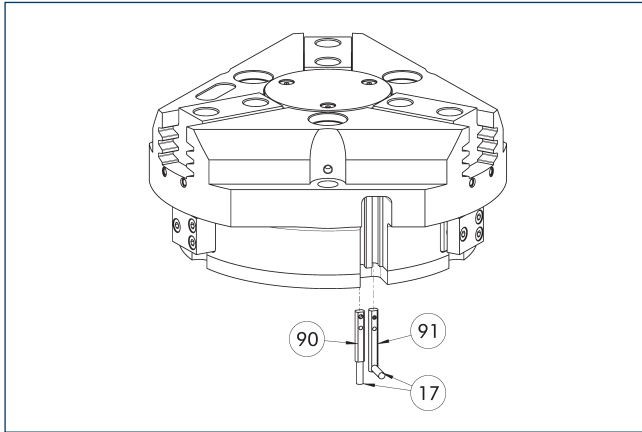
Description	ID	Often combined
Inductive proximity switch		
IN 80-S-M12	0301578	
IN 80-S-M8	0301478	●
INK 80-S	0301550	
Connection cables		
KA BG08-L 3P-0300-PNP	0301622	●
KA BG08-L 3P-0500-PNP	0301623	
KA BG12-L 3P-0500-PNP	30016369	
KA BW08-L 3P-0300-PNP	0301594	
KA BW08-L 3P-0500-PNP	0301502	
KA BW12-L 3P-0300-PNP	0301503	
KA BW12-L 3P-0500-PNP	0301507	
Clip for connector/socket		
CLI-M12	0301464	
CLI-M8	0301463	
Cable extension		
KV BG12-SG12 3P-0030-PNP	0301999	
KV BG12-SG12 3P-0060-PNP	0301998	
KV BW08-SG08 3P-0030-PNP	0301495	
KV BW08-SG08 3P-0100-PNP	0301496	
KV BW08-SG08 3P-0200-PNP	0301497	●
KV BW12-SG12 3P-0030-PNP	0301595	
KV BW12-SG12 3P-0100-PNP	0301596	
KV BW12-SG12 3P-0200-PNP	0301597	
Sensor distributor		
V2-M12	0301776	●
V2-M8	0301775	●
V4-M8	0301746	
V8-M8	0301751	

① Two sensors are required per unit for monitoring two positions. On option, extension cables and sensor distributors are available. Additional product variants of the sensor, and further information and technical data can be found in the catalog chapter sensor system.

PZN-plus 380

Universal gripper

Electronic magnetic switch MMS



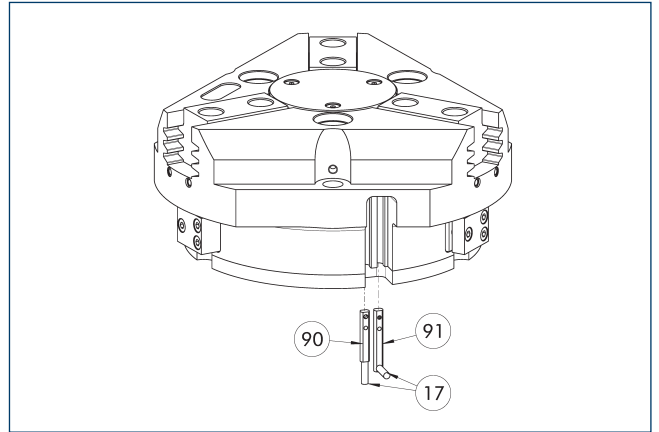
- ①7 Cable outlet
- ①91 Sensor MMS 22...-SA
- ①90 Sensor MMS 22..

End position monitoring for mounting in the C-slot.

Description	ID	Often combined
Electronic magnetic switch		
MMS 22-S-M8-PNP	0301032	●
MMSK 22-S-PNP	0301034	
Electronic magnetic switches with lateral cable outlet		
MMS 22-S-M8-PNP-SA	0301042	●
MMSK 22-S-PNP-SA	0301044	
Reed Switches		
RMS 22-S-M8	0377720	●
Connection cables		
KA BG08-L 3P-0300-PNP	0301622	●
KA BG08-L 3P-0500-PNP	0301623	
KA BW08-L 3P-0300-PNP	0301594	
KA BW08-L 3P-0500-PNP	0301502	
Clip for connector/socket		
CLI-M8	0301463	
Cable extension		
KV BW08-SG08 3P-0030-PNP	0301495	
KV BW08-SG08 3P-0100-PNP	0301496	
KV BW08-SG08 3P-0200-PNP	0301497	●
Sensor distributor		
V2-M8	0301775	●
V4-M8	0301746	
V8-M8	0301751	

- ① Two sensors are required per unit for monitoring two positions. On option, extension cables and sensor distributors are available. Additional product variants of the sensor, and further information and technical data can be found in the catalog chapter sensor system.

Programmable magnetic switch MMS 22-PI1



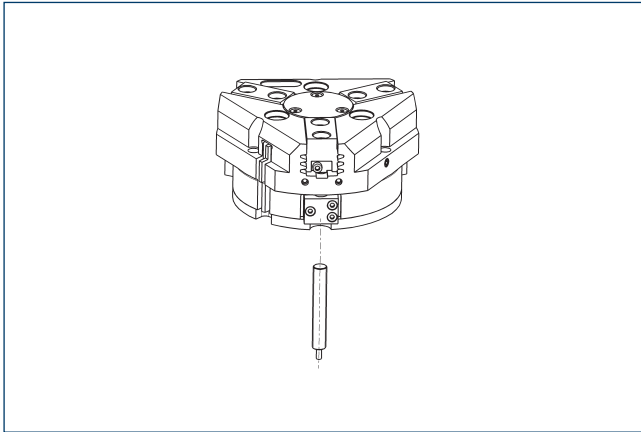
- ①7 Cable outlet
- ①91 Sensor MMS 22 ..-PI1...-SA
- ①90 Sensor MMS 22 PI1...

Position monitoring with one programmable position per sensor and integrated electronic system in the sensor. Can be programmed using MT magnetic teaching tool (included in the scope of delivery, ID 0301030) or ST plug teaching tool (optional). End position monitoring for mounting in the C-slot. If the ST plug teaching tools are listed in the table provided, teaching is only possible with the ST teaching tools.

Description	ID	Often combined
Programmable magnetic switch		
MMS 22-PI1-S-M8-PNP	0301160	●
MMSK 22-PI1-S-PNP	0301162	
Programmable magnetic switch with lateral cable outlet		
MMS 22-PI1-S-M8-PNP-SA	0301166	●
MMSK 22-PI1-S-PNP-SA	0301168	
Programmable magnetic switch with stainless steel housing		
MMS 22-PI1-S-M8-PNP-HD	0301110	●
MMSK 22-PI1-S-PNP-HD	0301112	

- ① Two sensors are required per unit for monitoring two positions. On option, extension cables and sensor distributors are available. Additional product variants of the sensor, and further information and technical data can be found in the catalog chapter sensor system.

APS-Z80 analog position sensor

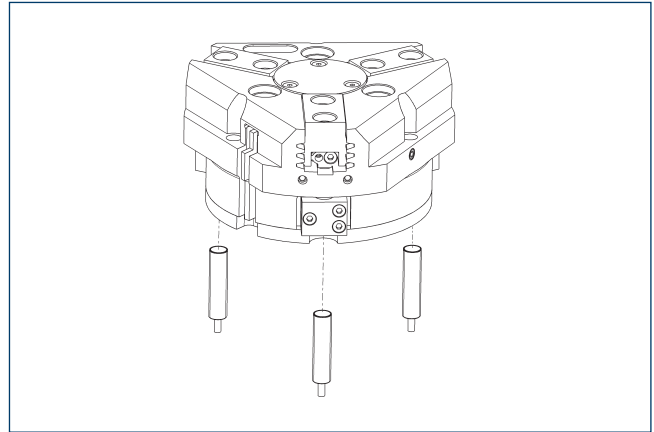


Non-contact measuring, analog multi-position monitoring for any number of positions.

Description	ID	Often combined
Mounting kit for APS-Z80		
AS-APS-Z80-PGZN-plus 380-1	0302101	
AS-APS-Z80-PGZN-plus 380-2	0302119	
Analog position sensor		
APS-Z80-K	0302072	
APS-Z80-M8	0302070	●

- ① When using an APS system, one mounting kit (AS-APS-Z80) and one APS-Z80 sensor is required per gripper. The resolution of the sensor can be lower in the peripheral areas of the gripper. You can find further information on the product in the operating manual.

Cylindrical reed switches



End position monitoring can be mounted with an attachment kit.

Description	ID	
Attachment kit for proximity switch		
AS-RMS 80 PGN/PZN-plus 160-380	0377727	
Reed Switches		
RMS 80-S-M8	0377721	

- ① Two sensors (closer/S) are required for each unit and extension cables are available as an option. This attachment kit needs to be ordered optionally as an accessory. Two mounting kits are required for each gripper. For sensor cables, note the minimum permissible bending radii. These are generally 35 mm.



SCHUNK GmbH & Co. KG
Spann- und Greiftechnik

Bahnhofstr. 106 - 134
D-74348 Lauffen/Neckar
Tel. +49-7133-103-0
Fax +49-7133-103-2399
info@de.schunk.com
schunk.com

Folgen Sie uns | *Follow us*

